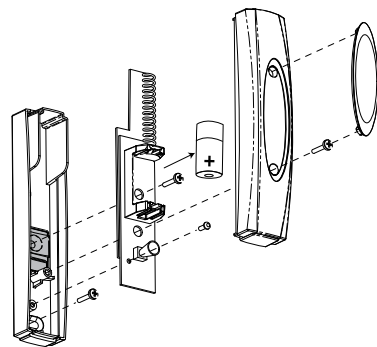
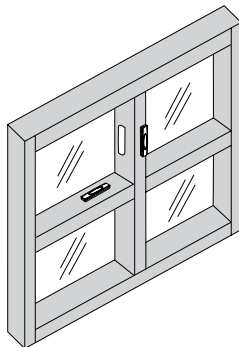
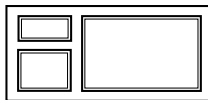
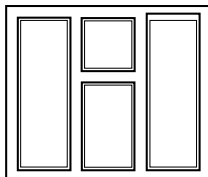


Impaq Plus-W

INSTALLATION INSTRUCTIONS

MOUNTING POSITIONS



Battery

Only replace with 3V Lithium CR123A.

Battery Safety

- Do not throw into a fire
- Do not heat
- Do not charge
- Do not short circuit
- Do not disassemble
- Replace only with same or equivalent type
- Always observe local regulations when disposing of a battery
- Detector will transmit low battery warning when battery needs replacing

Magnet

Non-Ferrous Mounting Material

- Maximum Break = 30mm
- Minimum Make = 15mm

Ferrous Mounting Material

- Maximum Break = 15mm
- Minimum Make = 5mm

Note: Values depend on mounting material

Reed Disable

	Disabled
	Enabled

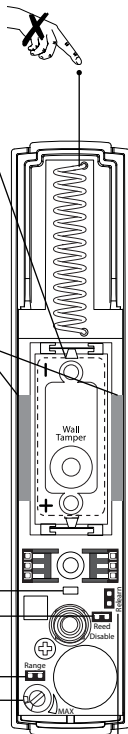
Range

	High Range
	Low Range

Sensitivity Adjust

Relearn

Place jumper on Relearn pin header and insert battery to learn device.

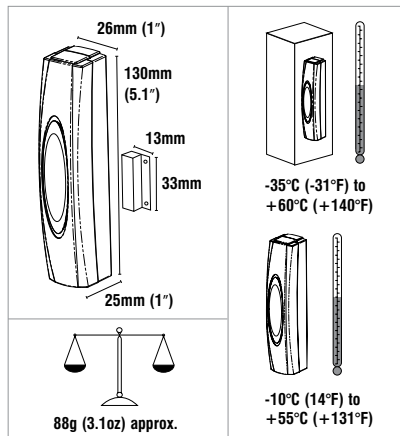


LED STATUS INDICATION

Only available in walktest mode

(See Premier wireless expander instructions)

Flashing Green:	Comfort LED. When the reed switch is closed, the comfort LED will flash green approximately every 3 seconds to indicate correct operation.
Momentary Green:	Background disturbance/under-sensitive setting. This is used to indicate background disturbances or an under-sensitive setting during installation.
Momentary Red:	Alarm condition/correct sensitivity. This is used to indicate that an attack has been detected by the shock sensor or a correct sensitivity setting during installation.
Momentary Orange:	Gross attack/over-sensitive condition. This is used to indicate that a massive attack has been detected by the shock sensor or an oversensitive setting during installation.



STANDARDS

Alarm Systems:	EN50131-2-6, EN50131-5-3, EN50131-1, PD6662 Grade 2 Class II
EMC:	EN50130-4:1995: A1: A2 ETSI EN301 489-03 V1.4.1
R&TTE:	ETSI EN300-220 (V2.1.1)
Environmental:	EN50130-5
Frequency Band:	868.0 MHz - 868.6 MHz

WARRANTY

2 year replacement warranty (excludes battery).

The *Impaq Plus-W* is designed to detect the vibrations caused by an intruder attempting to force an entry, or the opening of a door/window and activate an alarm control panel. As the *Impaq Plus-W* is not a complete alarm system, but only a part thereof, Texecom cannot accept responsibility or liability for any damages whatsoever based on a claim that the *Impaq Plus-W* failed to function correctly.

Due to our policy of continuous improvement Texecom reserves the right to change specification without prior notice. All specifications are measured at 20°C (68°F).



Made In
England



Certificate Number: FM 35285

Impaq and the wireless logo are trademarks of Texecom Ltd. © 2010
The *Impaq Plus-W* is protected by European Registered Design. No: 269188-0001
A20100211 INS512