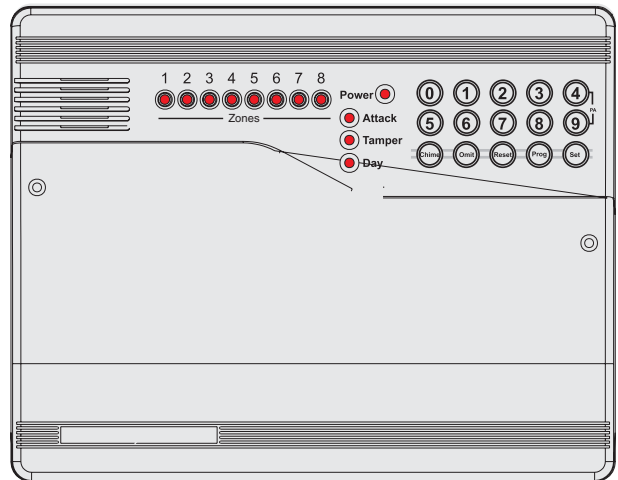
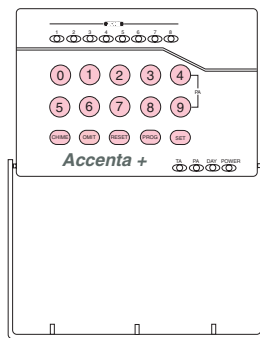
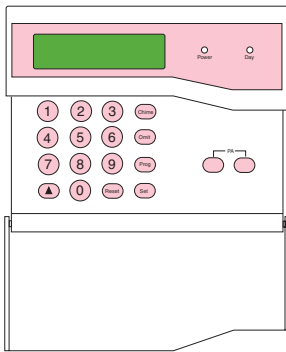


# Accenta/Optima

## User Guide



Servicing Organisation (Installer) name: \_\_\_\_\_

Telephone Number: \_\_\_\_\_

Date of Installation: \_\_\_\_\_

Account Number: \_\_\_\_\_



# Contents

Introduction..... 1

Codes ..... 1

Alarm System Operation ..... 1

Personal Attack ..... 1

Fire Zones ..... 1

Power Indicator ..... 1

Signalling Device ..... 1

How to Set the System ..... 2

How to Unset the System ..... 3

How to Part Set the System ..... 4

How to Silence an Alarm and Reset the System ..... 5

How to Omit Zones ..... 6

How to Quick Set the System ..... 7

Single Key Setting ..... 7

How to Set Up Chime Mode ..... 8

Changing Codes Using User 1 ..... 9

Changing Codes Using User 2 ..... 10

How to Delete User Code 2 ..... 11

    To delete user code 2 using user code 1 ..... 11

    To delete user code 2 using user code 2 ..... 12

Duress Code ..... 13

How to View the Event Log ..... 14

How to Test Your Alarm system ..... 15

    How to Test the Bell, Strobe and Internal Sounder ..... 15

How to do a Walk Test ..... 17

How to Set up the Time and Date ..... 18



## Introduction

This User Guide tells you how to operate your intruder alarm system. To simplify this User Guide we have assumed that the alarm system has been installed by a professional intruder alarm system installer (the installer), and that the system is operated in a “typical” way. Aspects of your system that are not “typical” will be described by your installer.

**NOTE:** If you have any questions about your intruder alarm system, then consult your installer, see contact details at the front of this User Guide.

## Codes

To operate the alarm system you will need to use a code. A code is 4 digits long, and can be any number from 0000 to 9999. By default user code 1 is [0][1][2][3] but you should change this as soon as possible.

## Alarm System Operation

This booklet describes three versions of the alarm system. The **Optima** version has the keypad and indicators on the main control panel. The **Accenta** version has the keypad and indicators on a small remote LCD or LED keypad. You operate the alarm system by pressing buttons on the keypad and viewing the indicators. Both alarm systems work the same way. Both **Accenta** and **Optima** systems can be fitted with an optional remote keypad.

## Personal Attack

If the installer has programmed personal attack on the keypads and if you are under threat, or are being attacked, you can activate the alarm by pressing the **4** and **9** keys at the same time on any LED keypad. You can also press the two keys marked **PA** on the remote LCD keypad. The alarm system will produce a loud alarm sound, and the external siren will be turned on.

## Fire Zones

Zones 7 and 8 on your alarm system may have a Fire or Smoke detector connected to it. In the event of a fire the alarm system will produce a distinctive two-tone fire alarm sound, and the outside siren will pulse 2 seconds on, 2 seconds off. You should leave the premises immediately, and only re-enter when it is safe to do so. The alarm can be silenced by entering your code.

## Power Indicator

The **Power** indicator on the control panel or keypad will light whenever the mains power supply is present. If mains power fails then the **Power** indicator will go out, but the system will run from its backup battery for several hours. If the **Power** indicator goes out when mains power is present then a fault may have developed on your system and you should contact your installer.

## Signalling Device

Your alarm system may have been fitted with a signalling device. This device uses the telephone line to send an alarm message to an Alarm Receiving Centre in the event of an alarm. The operator at the ARC may request the police to attend your premises.

# How to Set the System

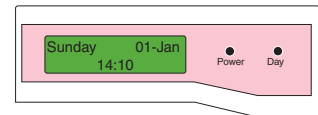
When you leave your premises you will need to set (or turn on) the intruder alarm system.

Before setting the system you should ensure that the premises have been completely vacated and that all doors and windows are closed. Ensure that pets do not have access to the protected areas as they can cause a false alarm.

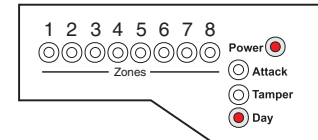
**NOTE:** The Accenta Remote LED keypad is not shown. It will have the same indications as the Optima compact panel with built-in keypad.

**NOTE:** There will be no exit beeps if **Silent Timed** exit mode was programmed.

LCD Keypad: the **Day** LED should be on. The screen shows the day mode:



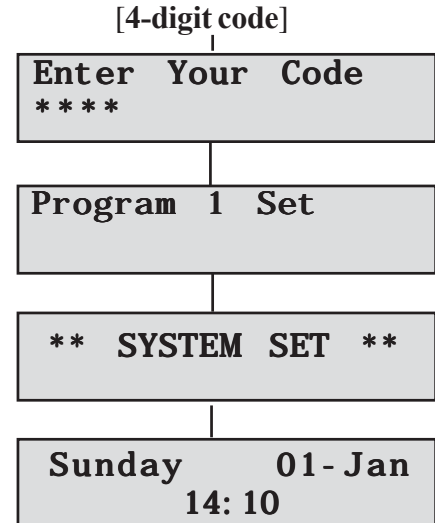
LED Keypad: the **Day** LED should be on.



**NOTE:** You should wait until you hear that the exit beep has stopped before assuming that the system has set.

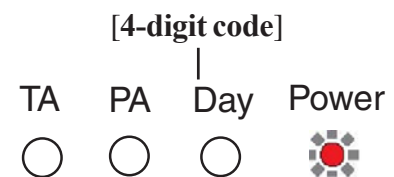
## LCD Keypad:

- Enter your 4-digit code (**0123** default) and check that the system is clear.
- The exit tone begins to sound and the display shows program 1 in process of setting.
- Leave the premises by the agreed exit route.
- The exit tone becomes rapid during the last 10 seconds and then stops when the system sets. The **Day** LED goes off and **SYSTEM SET** appears on the screen
- After 30 seconds the set mode display appears.



## LED Keypad:

- The system is unset. The **Power** and **Day** LED's are on.
- Enter your 4-digit code (**0123** default) and check that the system is clear (no zone LED's on).
- The exit tone begins to sound to indicate that the system is in the process of setting.
- Leave the premises by the agreed exit route.
- The exit tone becomes rapid during the last 10 seconds and then stops when the system sets. The **Day** LED goes off.

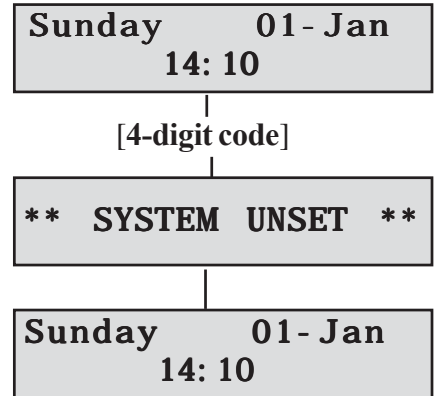


## How to Unset the System

When you enter your premises you will need to unset (turn off) the system.

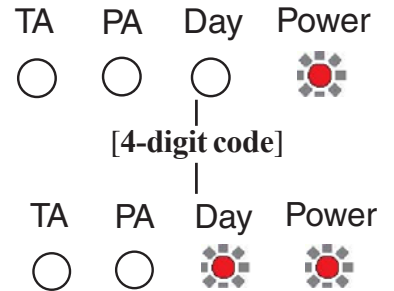
### LCD Keypad:

- Enter the premises by the agreed entry route. The system produces an entry tone. The **Power** LED is on and the **Day** LED is off indicating that the system is set.
- Enter your 4-digit code (**0123** default).
- The system unsets with a double beep. The **Day** LED comes on indicating that the system is unset.
- After 30 seconds the **Day** mode display appears.



### LED Keypad:

- Enter the premises by the agreed entry route. The system produces an entry tone. The **Power** LED is on and the **Day** LED is off indicating that the system is set.
- Enter your 4-digit code (**0123** default).
- The system unsets with a double beep. The **Day** LED comes on indicating that the system is unset.



If any Zone, TA (Tamper) or PA (Attack) LED's come on then an alarm has occurred, and an intrusion may have taken place. Seek assistance before investigating further as intruders may still be on the premises. Then reset the system.

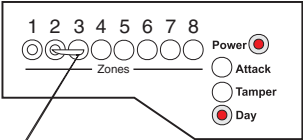
When you enter your premises you will have a short period of time, usually 30 seconds, to enter your code. If you fail to do this the system will go into alarm. Enter your code to stop the alarm.





**LED Keypad:**

The **Day** LED should be on.



**LED Keypad:**

- Enter your code [0][1][2][3].

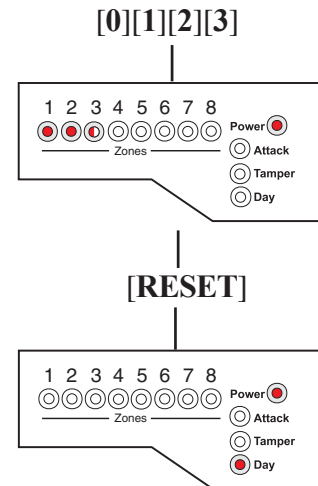
The alarm will stop, and the **Zone**, **Tamper (TA)** or **Attack (PA)** LED's will come on to show the cause of the alarm.

**NOTE:** When 2 or more LED's are on, the flashing indicator shows the first alarm, and the steady indicators show the second and subsequent alarms.

- Press [RESET].
- If the **Zone**, **Tamper (TA)** or **Attack (PA)** LED's go out and the **Day** LED comes on then the system has been reset.

If any of the LED's continue to flash then the system has been programmed to be reset by the installer. In this case you must call the installer to reset the system.

If all LED's light steady (not flashing), and the keypad stops working, then the system has entered a fault-lockout. You must call the installer to rectify this fault.



## How to Omit Zones

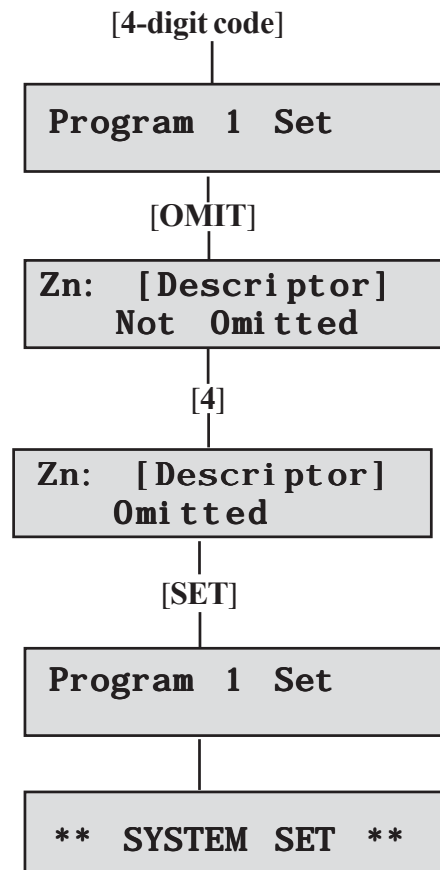
If you cannot set the alarm system because a detector is faulty and in constant alarm you may need to omit its zone from the alarm system. A zone which has been omitted cannot cause an alarm. Omitted zones will be restored after the system is unset.

Before a zone can be omitted it has to be enabled by the installer as a **Used Zone** and as an **Omit Allow** zone.

**LCD Keypad:**

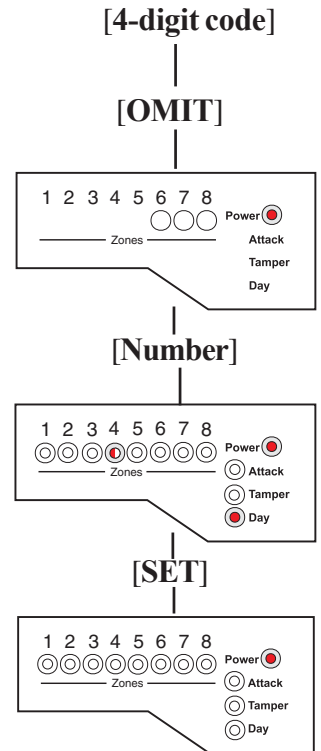
- Enter your [4-digit code] to start the exit procedure (for more information see **How to Set the System**).
- Press [OMIT] and the exit beep tone will stop, and the first used zone that can be omitted will appear on the display.
- Press the zone [number] or [up arrow] to be omitted. The display will now show the zone as omitted. If a flat reject tone is heard, then the zone cannot be omitted.
- Press [SET] or allow the system to continue to set.

**NOTE:** Zn = Zone number



**LED Keypad:**

- Enter your [4-digit code] to start the exit procedure (for more information see **How to Set the System**).
- Press [OMIT] and the exit beep tone will stop, and all LED's for used zones that can be omitted will come on.
- Press the zone [number] to be omitted. The LED will now flash to show the zone as omitted. If a flat reject tone is heard, then the zone cannot be omitted.
- Press [SET] or allow the system to set.



**How to Quick Set the System**

When you set the system you will usually have about 30 seconds to exit the premises. This also means that you need to wait 30 seconds for the system to set. You can reduce this time to just five seconds by carrying out a **Quick Set**.

- Enter your [4-digit code] to start the exit procedure. The exit beep tone will start. (For more information see **How to Set the System**).
- Press [SET] to Quick Set the system and the exit beep tone will change to a more rapid tone. The system will set in five seconds, and the exit tone will stop.

**Single Key Setting**

If enabled by the engineer, the setting process can be started by pressing Set, rather than entering a user code.

## How to Set Up Chime Mode

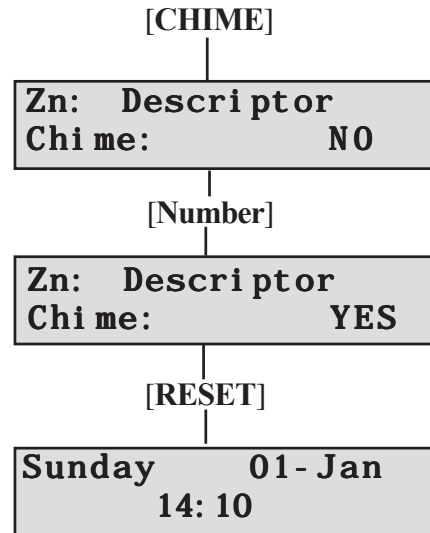
Chime is a low security facility for use when the system is unset. It is particularly useful in a shop to warn of customers presence, or in a house to warn when a back door has been opened. When a Chime zone detects movement the system will produce a brief two-tone sound, and the Zone LED will come on.

To set any zone to Chime.

### LCD Keypad:

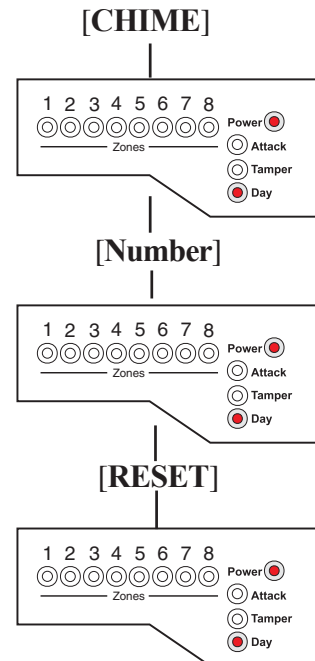
- The system should be in **Day** mode (System Unset).
- Press **[CHIME]**. The screen will show the first zone that is already set up for Chime (possibly none).
- Press the zone **[number]** to toggle it in and out of chime.
- When you have finished using the Chime mode press **[RESET]** or wait a few seconds for the display screen to show **Day** mode.

**NOTE:** **Zn** = Zone number



### LED Keypad:

- The system should be in **Day** mode (System Unset).
- Press **[CHIME]**. The zone LED's will come on to show those zones that are already set up for Chime (possibly none).
- Press the zone **[number]** to toggle it in and out of chime.
- When you have finished using the Chime mode press **[RESET]** or wait a few seconds. The zone LED goes off.



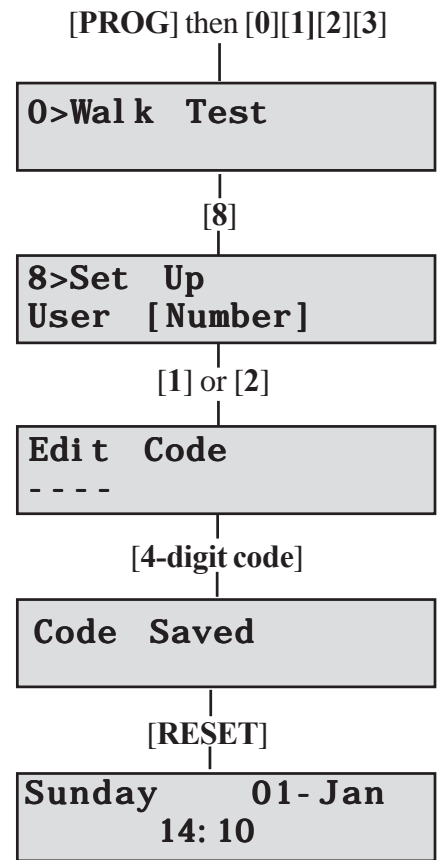
## Changing Codes Using User 1

You should change your code regularly to prevent potential intruders from knowing your code. All codes are 4-digits. The factory set code is [0][1][2][3]. User code 1 can only be changed by user 1.

To change user code:

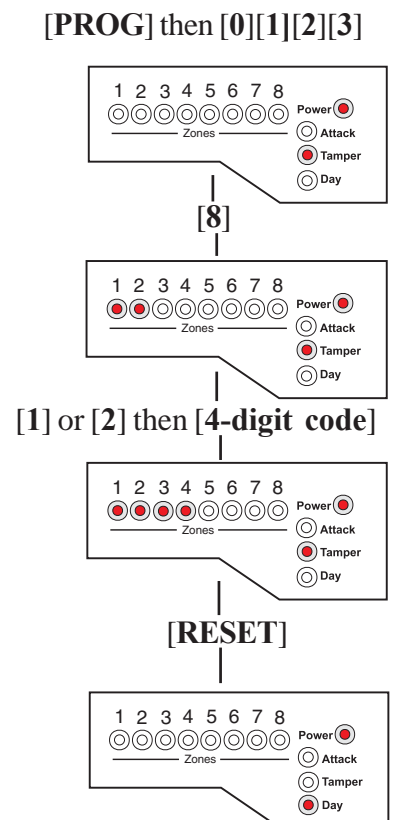
### LCD Keypad:

- Press [PROG] and then enter your code [0][1][2][3]. The Day LED goes off to indicate that you are in Programming mode. The first menu **Walk Test** appears on the screen.
- Press the [8] button on the keypad to enter User Set-Up.
- Press the [1] or [2] button on the keypad to edit the required user.
- Enter the new [4-digit code]. If the code is accepted the system will produce a double beep. If it is rejected the code may already be in use and the system will produce a flat tone. You must choose a different 4-digit code.
- Upon the last keypress the code is saved.
- Press [RESET] twice to exit Programming mode. The Day LED will come on with the screen in Day mode.



### LED Keypad:

- Press [PROG] and then enter your code [0][1][2][3]. The **Tamper (TA)** LED comes on and the Day LED goes off to indicate that you are in Programming mode.
- Press the [8] button on the keypad. LED's 1 and 2 are on to indicate that you have two options, user 1 and user 2.
- Press the [1] or [2] button on the keypad to edit the required user. LED's 1-4 are on.
- Enter the new [4-digit code]. If the code is accepted the system will produce a double beep. If it is rejected the code may already be in use and the system will produce a flat tone. You must choose a different 4-digit code.
- Upon the last keypress the code is saved. LED's 1-4 are off.
- Press [RESET] twice to exit Programming mode. The Day LED comes on and the **Tamper (TA)** goes off.



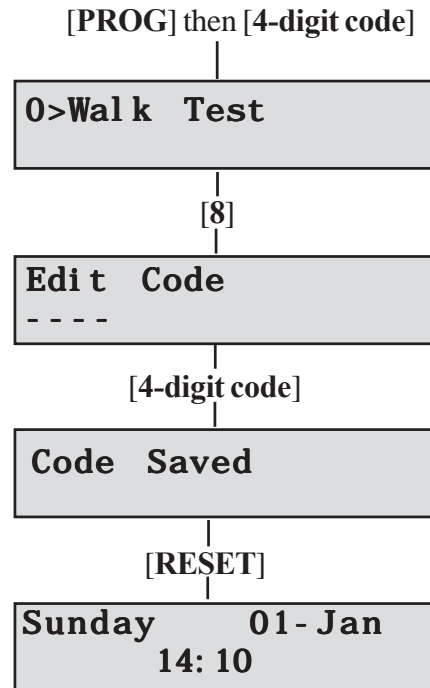
## Changing Codes Using User 2

Your alarm system can have a second user code. You may find it useful to set up user code 2 for use by a neighbour for use when you are on holiday. User code 2 operates like user code 1, but it cannot be used to change or delete user code 1.

To change user code 2:

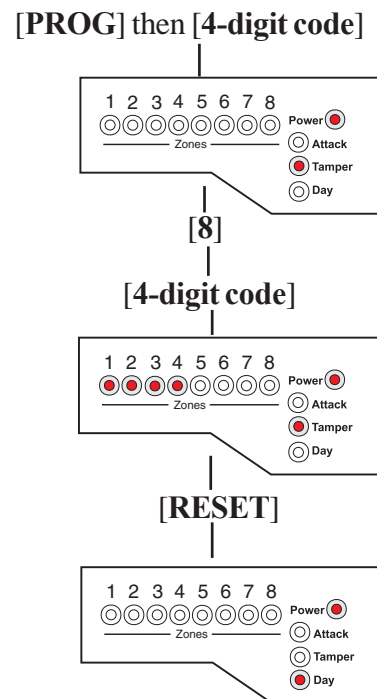
### LCD Keypad:

- Press **[PROG]** and then enter user 2 **[four-digit code]**. The Day LED goes off to indicate that you are in Programming mode. The first menu **Walk Test** appears on the screen.
- Press **[8]** to edit user 2.
- Enter the new **[4-digit code]**. If the code is accepted the system will produce a double beep. If it is rejected the code may already be in use and the system will produce a flat tone. You must choose a different 4-digit code.
- Upon the last keypress the code is saved.
- Press **[RESET]** twice to exit Programming mode. The **Day** LED will come on with the screen in **Day** mode.



### LED Keypad:

- Press **[PROG]** and then enter user 2 **[four-digit code]**. The **Tamper (TA)** LED comes on and the **Day** LED goes off to indicate that you are in Programming mode.
- Press the **[8]** to edit user 2. LED's 1-4 are on.
- Enter the new **[4-digit code]**. If the code is accepted the system will produce a double beep. If it is rejected the code may already be in use and the system will produce a flat tone. You must choose a different 4-digit code.
- Upon the last keypress the code is saved. LED's 1-4 are off.
- Press **[RESET]** twice to exit Programming mode. The **Day** LED comes on and the **Tamper (TA)** goes off.



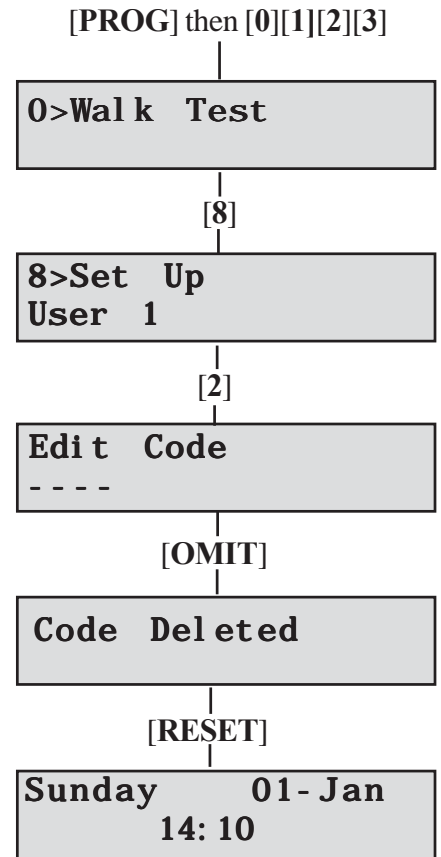
## How to Delete User Code 2

You can delete the second code to prevent it being used. User 1 or user 2 can delete user code 2.

### To delete user code 2 using user code 1

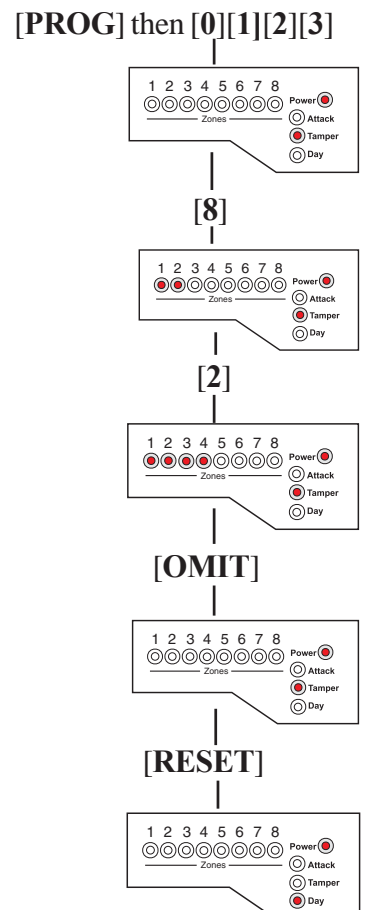
#### LCD Keypad:

- Press [PROG] and then enter your code [0][1][2][3]. The Day LED goes off to indicate that you are in Programming mode. The first menu **Walk Test** appears on the screen.
- Press the [8] button on the keypad to enter User Set-Up.
- Press [2] to edit user code 2.
- Press [OMIT] to delete user code 2.
- The message **Code Deleted** is displayed on the screen.
- Press [RESET] twice to exit Programming mode. The Day LED will come on with the screen in **Day** mode.



#### LED Keypad:

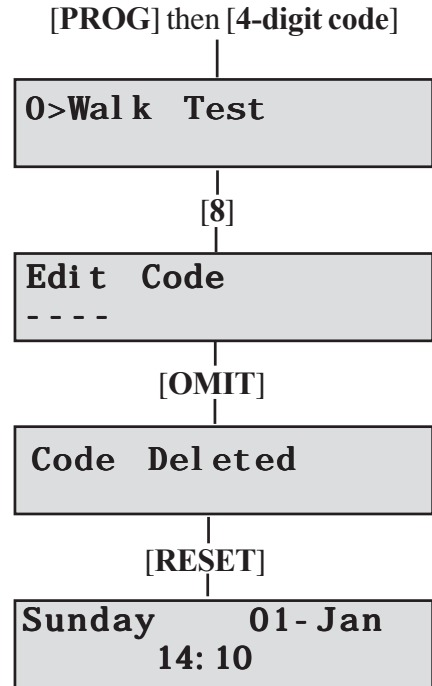
- Press [PROG] and then enter your code [0][1][2][3]. The Day LED goes off to indicate that you are in Programming mode.
- Press the [8] button on the keypad to enter User Set-Up. LED's 1 and 2 are on.
- Press [2] to edit user code 2. LED's 1-4 are on.
- Press [OMIT] to delete user code 2.
- User code 2 is deleted. LED's 1-4 are off.
- Press [RESET] twice to exit Programming mode. The Day LED comes on and the Tamper (TA) goes off.



## To delete user code 2 using user code 2

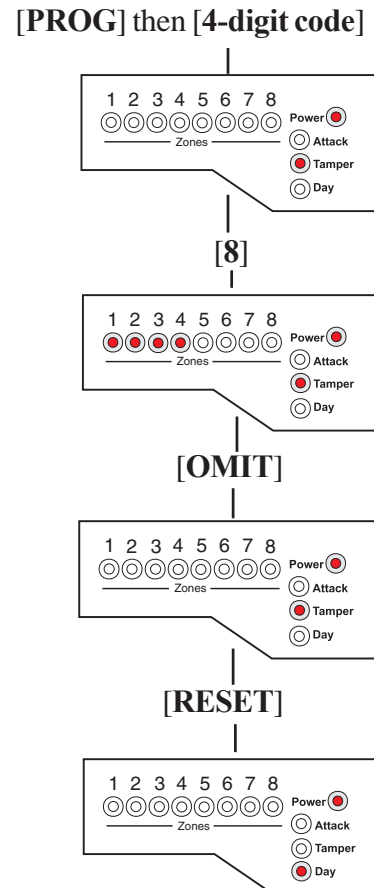
### LCD Keypad:

- Press **[PROG]** and then enter the user 2 **[4-digit code]**. The **Day** LED goes off to indicate that you are in Programming mode. The first menu **Walk Test** appears on the screen.
- Press the **[8]** button on the keypad to edit user code 2.
- Press **[OMIT]** to delete user code 2.
- The message **Code Deleted** is displayed on the screen.
- Press **[RESET]** twice to exit Programming mode. The **Day** LED will come on with the screen in **Day** mode.



### LED Keypad:

- Press **[PROG]** and then enter the user 2 **[4-digit code]**. The **Day** LED goes off to indicate that you are in Programming mode.
- Press the **[8]** button on the keypad to edit user code 2. LED's 1-4 are on.
- Press **[OMIT]** to delete user code 2.
- User code 2 is deleted. LED's 1-4 are off.
- Press **[RESET]** twice to exit Programming mode. The **Day** LED comes on and the **Tamper (TA)** goes off.



## Duress Code

Your alarm system can have a duress code. The Duress code is used in a hold-up situation where there is pressure to set or unset the system. The Duress code operates like your normal code but in addition it will silently send a signal to the Alarm Receiving Centre. The operator at the ARC may request the Police to attend your premises.

The duress code can only set up, edited and deleted by the installer while in *Engineer program mode*.

**NOTE:** The Duress code facility is not applicable to the **Optima compact** system.

## How to View the Event Log

### 1 = LCD Keypad:

The event log gives a display of all the events that have taken place. The events are arranged by date and time. Up to 250 events can be stored in the memory. When the log reaches 250 events and another event takes place, the oldest event drops out.

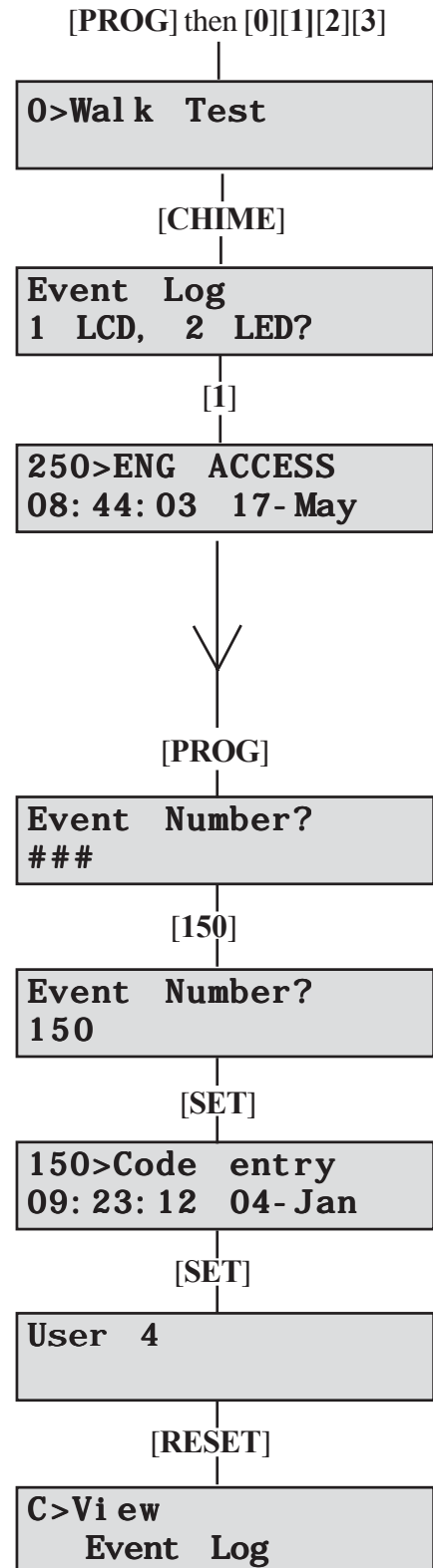
To view the event log:

- Press [**PROG**] and then enter your code [0][1][2][3]. The **Day** LED goes off to indicate that you are in Programming mode. The first menu **Walk Test** appears on the screen.
  - Press [**CHIME**].
  - Choose [1] for Event Log in LCD screen.
  - The last event (250) appears on LCD screen.
- To go forward through the event log in sequence, press [**OMIT**].  
To go back through the event log in sequence, press the [**up arrow**].

- Press [**RESET**] twice to leave the menu.

To go to a specific event:

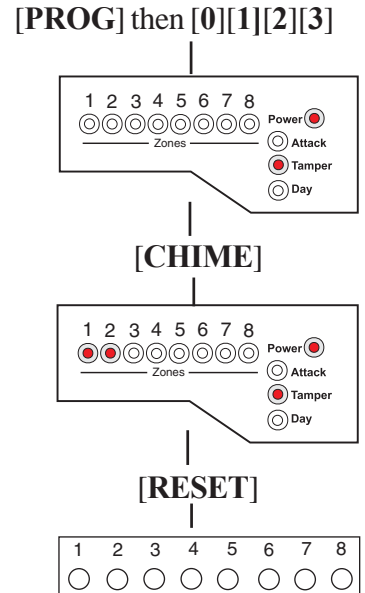
- Press the [**PROG**] button.
- Key in Event Number you want to see (eg 150).
- Press the [**SET**] button. The event appears on the LCD screen.
- Press [**SET**] again to see further details of the event.
- Press [**RESET**] twice to leave the menu option.



**2 = LED Keypad:**

The LED keypad is limited to show the last eight set periods with the eighth being the oldest. **Zone**, **Attack (PA)** and **Tamper (TA)** LED's will be on to show zone in alarm. Flashing LED indicates the first zone in alarm. **Day** indicates the status of the panel at the time of the alarm.

- Press [**PROG**] and then enter your code [**0**][**1**][**2**][**3**]. The **Day** LED goes off and the **Tamper (TA)** LED comes on to indicate that you are in Programming mode.
- Press [**CHIME**] to enter into Event Log menu. LED's 1 and 2 are on.
- Press [**2**] for LED keypad. The first zone to activate is indicated by a flashing LED.
- Press [**1 to 8**] for the desired event or [**CHIME**] to go through events in sequence.
- Press [**RESET**] twice to leave the menu.



## How to Test Your Alarm system

You should check that your alarm system still works correctly by periodically carrying out the alarm system tests described here.

## How to Test the Bell, Strobe and Internal Sounder

This function tests the alarm function of the Bell, Strobe or Internal Sounder. Pressing the appropriate button [1-3] toggles the function ON or OFF. Using the [up arrow] also selects the appropriate alarm function.

Pressing the [0] button turns all alarm outputs to OFF.

Pressing the [SET] button toggles the selected alarm output.

Pressing the [RESET] button turns off all outputs and leaves the function.

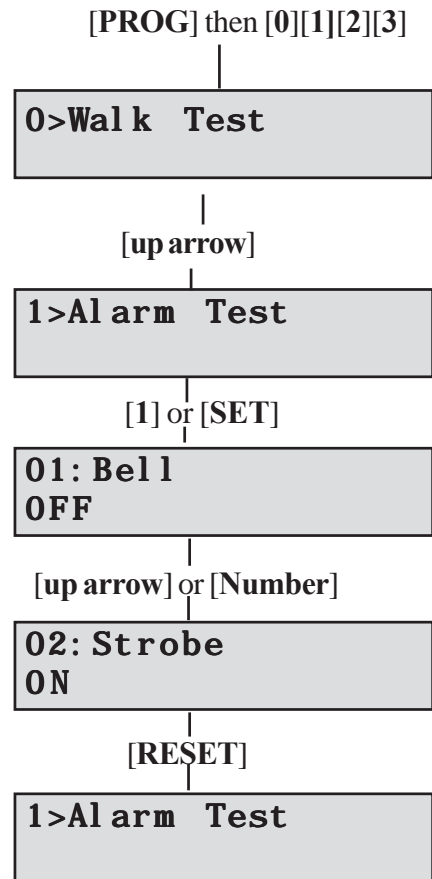
The outputs are:

**1 = Bell, 2 = Strobe, 3 = Sounder**

**NOTE:** To test the Low volume sounder enable option 3 only. To test for a high volume sounder enable both options 2 and 3 together.

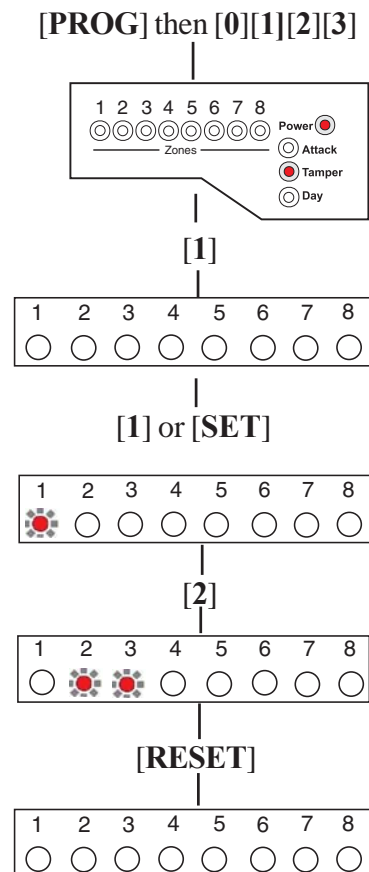
## LCD Keypad:

- Press **[PROG]** and then enter your code **[0][1][2][3]**. The **Day** LED goes off to indicate that you are in Programming mode. The first menu **Walk Test** appears on the screen.
- Press **[up arrow]** for menu **Alarm Test**.
- Press **[1]** or **[SET]** to enter into first function ON or OFF.
- Press the **[up arrow]** or number **[2]** or **[3]** for the other functions.
- Press **[RESET]** to leave the menu.



## LED keypad

- Press **[PROG]** and then enter your code **[0][1][2][3]**. The **Day** LED goes off and the **Tamper (TA)** LED comes on to indicate that you are in Programming mode.
- Press **[1]** for menu **Alarm Test**.
- Press **[1]** or **[SET]** to toggle first function ON or OFF.
- Press number **[2]** and **[3]** for the other functions.
- Press **[RESET]** twice to exit Programming mode. The **Day** LED comes on and the **Tamper (TA)** LED goes off.

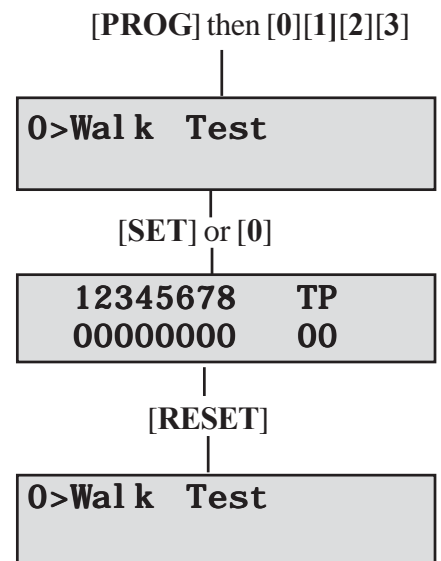


## How to do a Walk Test

Walk around your property, and in turn cause each detector to go into alarm. Also, open and close all door and windows that are protected by the system. For each detector (including door or window sensor) that is activated the system will produce a series of beeps, and the associated zone will be indicated on the keypad.

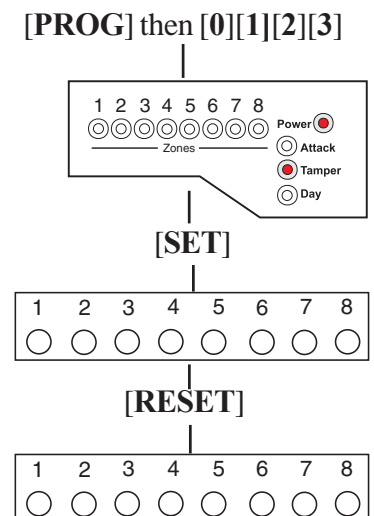
**NOTE:** Do not test any **Personal Attack, Fire or Tamper** buttons during the Walk Test since these are still active and will cause a full alarm.

- Press [**PROG**] and then enter your code [**0**][**1**][**2**][**3**]. The **Day** LED goes off to indicate that you are in Programming mode. The first menu **Walk Test** appears on the screen.
- Press [**SET**] or [**0**]. Zones 1-8 have a zero (0) below each number.
- When a zone is successfully tested, number 1 replaces the 0. Zones are added to list as each one is activated.
- Press [**RESET**] to leave the menu or [**SET**] to restart the Walk Test.



### LED keypad

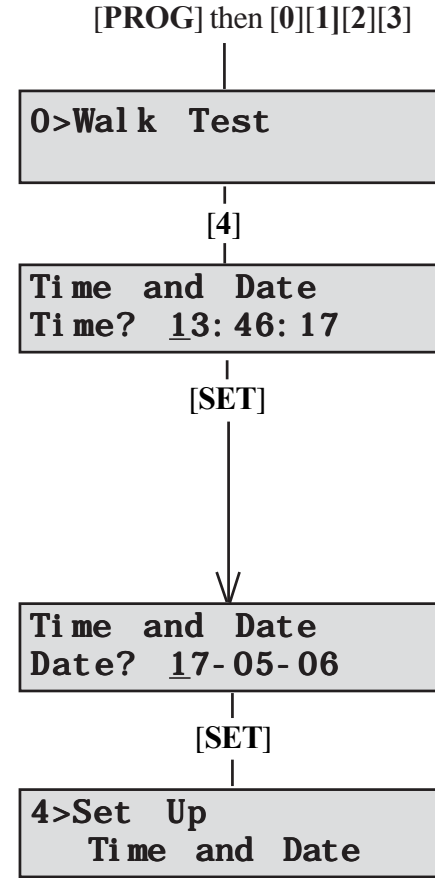
- Press [**PROG**] and then enter your code [**0**][**1**][**2**][**3**]. The **Day** LED goes off and the **Tamper (TA)** LED comes on to indicate that you are in Programming mode, **Walk Test**
- Press [**SET**] or [**0**]. Zones 1-8 are off.
- When a zone is successfully tested, the LED is on. Zones are added to list as each one is activated.
- Press [**RESET**] to leave the menu or [**SET**] to restart the Walk Test.



## How to Set up the Time and Date

### LCD Keypad:

- Press **[PROG]** and then enter your code **[0][1][2][3]**. The **Day** LED goes off to indicate that you are in Programming mode. The first menu **Walk Test** appears on the screen.
- Press **[4]** and the **Time and Date** Screen appears.
- The **Time** can be modified in hours, minutes and seconds in the format **HH:MM:SS**. The number keys on the keypad 0-9 are used for this function. As each digit is modified the cursor moves to the next one. When the time is correct press the **[SET]** button to accept the change and move to the next screen or
- To cancel the change press the **[RESET]** button twice.
- The **Date** can be changed in day , month, year format **DD-MM-YY**. The number keys on the keypad 0-9 are used for this function. As each digit is modified the cursor moves to the next one. When the date is correct press the **[SET]** button to accept the change or
- To cancel the change press the **[RESET]** button twice.



### LED Keypad:

If required, the time and date can be entered as per the procedure for the LCD keypad. However no information will be indicated on the LED keypad. The only indication on the LED keypad that you are in menu 4 **Set up Time and Date** is that LED's 1 to 6 on the LED Keypad will be ON.



External Siren Time: \_\_\_\_\_

Siren delay: \_\_\_\_\_

Area Protected		Zone Name	Program 1	Program 2	Program 3
Zone 1					
Zone 2					
Zone 3					
Zone 4					
Zone 5					
Zone 6					
Zone 7					
Zone 8					

T = Timed (Entry/Exit Zone)

TI = Timed Inhibited (Access zone to keypad)

I = Immediate



The panels conform to the requirements of the European EMC and Low Voltage directives, and carries the CE mark