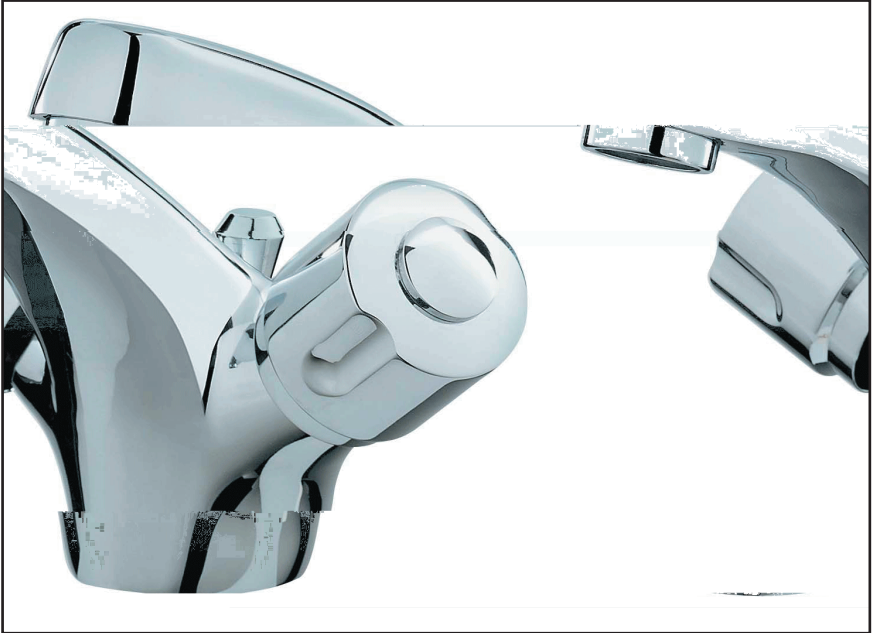


unichrome

TRITON

AIRE

Monobasin mixer tap



Installation Instructions

INSTALLERS PLEASE NOTE THESE INSTRUCTIONS ARE TO BE LEFT WITH THE USER

2180411B October 2005

INTRODUCTION

This guide contains all the necessary fitting instructions for your Unichrome monobasin mixer tap.

Note: This basin mixer tap is suitable for use with monobasin style basins only.

Please read this guide carefully before beginning your installation.

The mixer tap installation must be carried out by a suitably competent person and in the sequence of the instruction book.

Care taken during the installation will ensure long life and trouble free operation from your tap.

DO NOT choose a position where the tap could become frozen.

Replacement parts can be ordered from Triton Customer Service (*see back page*).

WATER PRESSURE

This tap is suitable for all water pressures and should be fitted in accordance with Water Regulations.

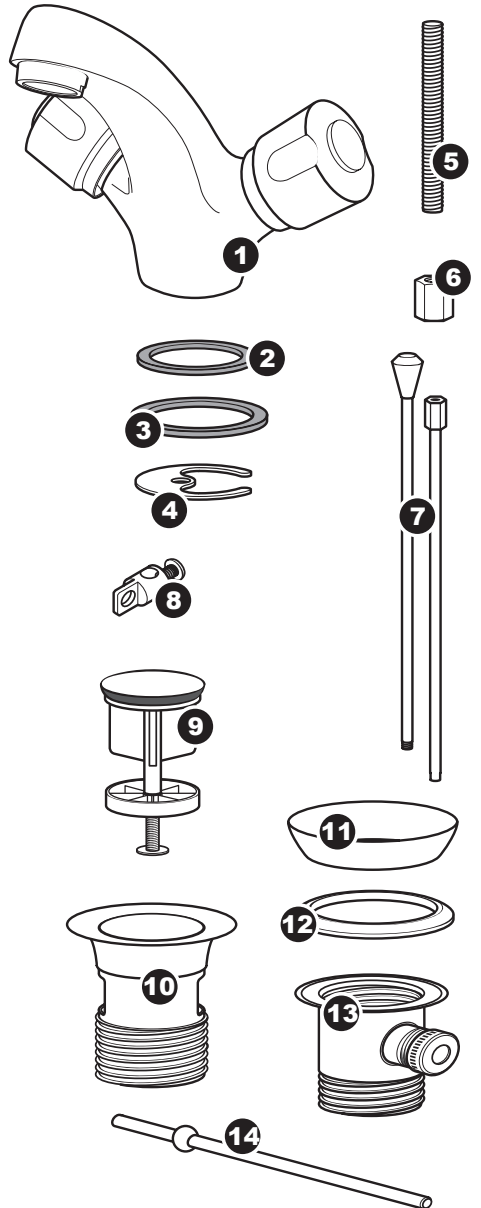
Pressure range – 0.1 bar to 10 bar

COMPONENTS

The tap set comprises of the following:

- 1 Monobasin mixer tap
- 2 Silicon seal (small)
- 3 Silicon seal (large)
- 4 Horseshoe plate
- 5 Stud
- 6 Retaining nut
- Steel braided hoses (2 off)
- 7 Plunger control rod
- 8 Fixing block
- 9 Plunger
- 10 Upper waste outlet
- 11 Upper silicon seal
- 12 Lower silicon seal
- 13 Lower waste outlet
- 14 Control lever

Fig.1



Check that all parts are correct (**fig.1**)

INSTALLATION

WARNING!

The mixer must not be positioned where it will be subject to freezing conditions.

DO NOT use jointing compounds on any pipe fittings for the installation.



Fitting the mixer tap

Screw the stud into the hole in the base of the mixer unit and secure. Fit the steel braided hoses into the hot and cold inlets (**fig.2**) and tighten to secure.

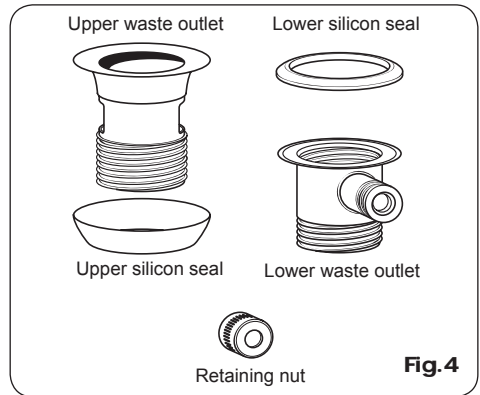
Place the small silicon seal onto the raised boss in the base of the monobasin. Feed the braided hoses through the opening in the monobasin and place the mixer assembly in place. Make sure the mixer and seal sit correctly on the monobasin.

Slide the large silicon seal and horseshoe plate over the stud and secure the mixer assembly in place using the nut provided (**Fig.3**).

Note: DO NOT overtighten the nut as this may damage the mixer unit and monobasin.

Fitting the waste unit

Take the waste assembly apart, as shown in (**Fig.4**).



Insert the control lever through the opening in the side of the lower waste outlet. Fit the retaining nut and tighten. Finger tight should be sufficient.

Slide the upper silicon seal onto the upper waste outlet and fit the silicon seal onto the lip on the lower waste outlet (**Fig.5**). Place the upper waste fitting into the drainage hole in the monobasin. Screw the lower waste outlet into

CLEANING

IMPORTANT: DO NOT use abrasive or solvent cleaning fluids. The mixer unit should be cleaned using a soft cloth and warm water.

Any stains should be removed using washing up liquid.

SPARE PARTS

| Description | Part No. |
|--------------------------|-----------------|
| Standard valve (½") | 83308170 |
| Complete handwheel | 83308190 |
| Complete anti-splash tap | 83308070 |



*A **MORCROS** Company*

TRITON STANDARD GUARANTEE

Triton Plc guarantee this product against all mechanical defects arising from faulty workmanship or materials for a period of five years for domestic use only, from the date of purchase, provided that it has been installed by a competent person in full accordance with the installation and operating instructions.

Any part found to be defective during this guarantee period we undertake to repair or replace at our option without charge so long as it has been properly maintained and operated in accordance with the operating instructions, and has not been subject to misuse or damage.

This product must not be taken apart, modified or repaired except by a person authorised by Triton Plc. This guarantee applies only to products installed within the United Kingdom and does not apply to products used commercially.

This guarantee does not affect your statutory rights.

What is not covered:

- 1** Breakdown due to: *a)* use other than domestic use by you or your resident family; *b)* wilful act or neglect; *c)* any malfunction resulting from the incorrect use or quality of gas or water or incorrect setting of controls; *d)* faulty installation.
- 2** Repair costs for damage caused by foreign objects or substances.
- 3** Total loss of the product due to non-availability of parts.
- 4** Compensation for loss of use of the product or consequential loss of any kind.
- 5** Call out charges where no fault has been found with the unit.
- 6** The cost of routine maintenance, adjustments, overhaul modifications or loss or damage arising therefrom, including the cost of repairing damage, breakdown, malfunction caused by corrosion, furring, pipe scaling, limescale, system debris or frost.

Replacement Parts Policy

Availability: It is the policy of Triton to maintain availability of parts for the current range of products for supply after the guarantee has expired. Stocks of spare parts will be maintained for the duration of the product's manufacture and for a period of five years thereafter.

In the event of a spare part not being available a substitute part will be supplied.

Payment: The following payment methods can be used to obtain spare parts:

- 1** By post, pre-payment of pro forma invoice by cheque or money order.
- 2** By telephone, quoting credit card (MasterCard or Visa) details.
- 3** By website order:

www.tritonshowers.co.uk

Triton Plc, Triton Road
Nuneaton, Warwickshire. CV11 4NR

To use your Triton Guarantee please contact Triton Customer Service on +44 (0) 87 0067 8678 (Scotland +44 (0) 84 5762 6591). Please have your postcode and model details available when you call.

Please note: Telephone calls may be recorded for training purposes.

Customer Service
☎ +44 (0) 87 0067 8678
Scottish and Northern Ireland
Customer Service
☎ +44 (0) 84 5762 6591
Trade Installer Hotline
☎ +44 (0) 24 7632 5491
Fax: +44 (0) 24 7632 4564
www.tritonshowers.co.uk
E mail: technical@triton.plc.uk