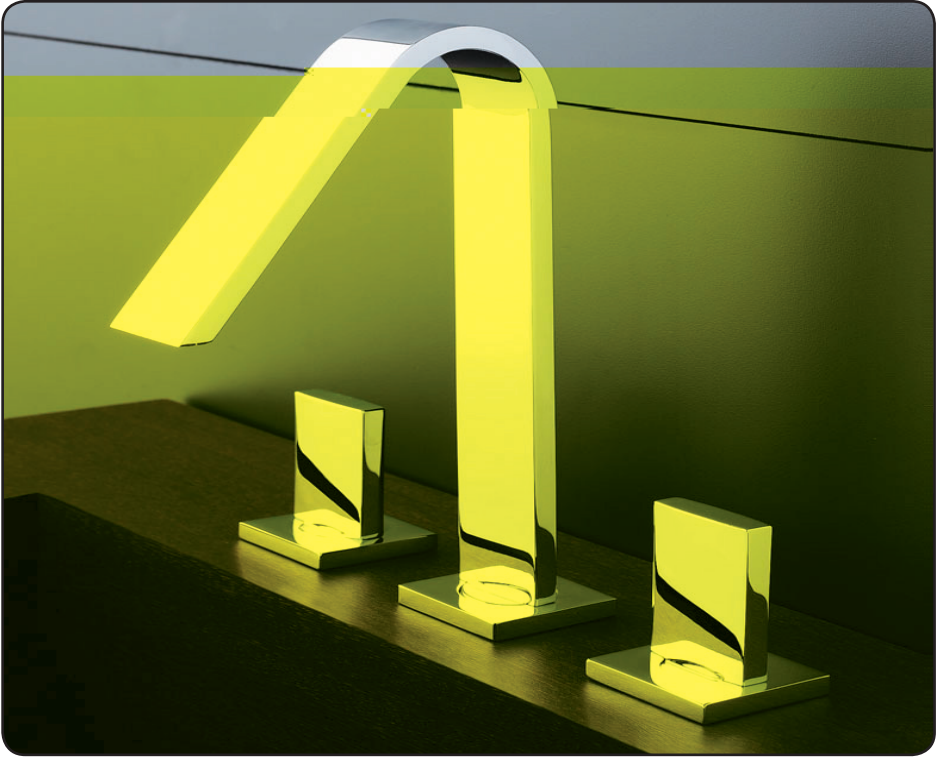


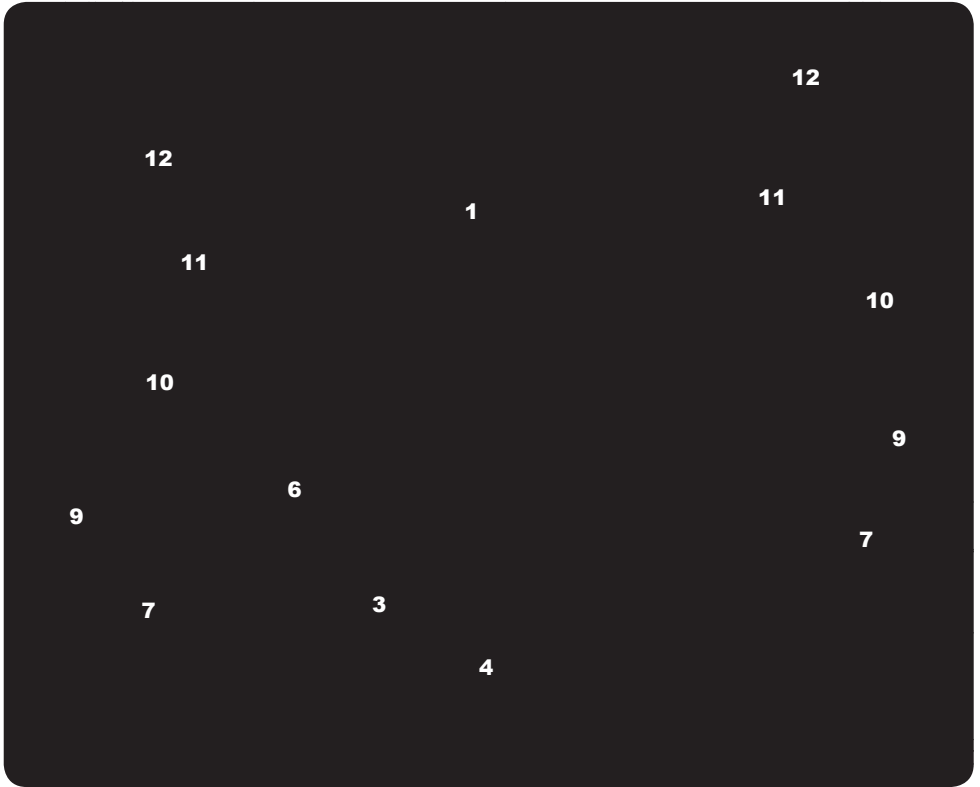
ASPIRANTE

**ARCHETTO**  
*3-hole bath tap*



**Installation and Operating  
Instructions**

INSTALLERS PLEASE NOTE THESE INSTRUCTIONS ARE TO LEFT WITH THE USER



**I TRO U TI**

This tap set comprises the following items:  
 1. Tap spout  
 2. Tap base

3. 'O' ring  
 4. Silicon washer

5. Locknut  
 6. Flexible hose

7. Tap assembly  
 8. Retaining collar

9. Adjusting screws  
 10. Handle collar  
 11. Tap base  
 12. Handle

**D N ch ose a posi i n wh re th tap could b come froz n.**

**COMPONENTS (fig.1)**

This tap set comprises the following items:

1. Tap spout
2. Tap base
3. 'O' ring
4. Silicon washer
5. Locknut
6. Flexible hose
7. Tap assembly
8. Retaining collar
9. Adjusting screws
10. Handle collar
11. Tap base
12. Handle

Check that all parts are correct.

## SITE REQUIREMENTS

### WARNING!

**The mixer must not be positioned where it will be subject to freezing conditions.**

This tap is suitable for high water pressures only and should be fitted in accordance with Water Regulations.

Running pressure — 1.0 bar to 5 bar.

Static pressure — 10 bar

Maximum temperature — 85°C.

Recommended temperature — 60 to 65°C.

**Note:** For the ideal flow pattern from the mixer, a maximum running pressure of 3 bar is recommended.

## INSTALLATION

### Fitting the spout

Fit the tap base over the threaded tube at the base of the spout (**fig.2**). Insert the 'O' ring into the recess in the underside of the tap base (**fig.2**).

Fit the spout into the central pre-cut hole in the bath. Make sure the tap base and 'O' ring correctly locate with the base of the spout.

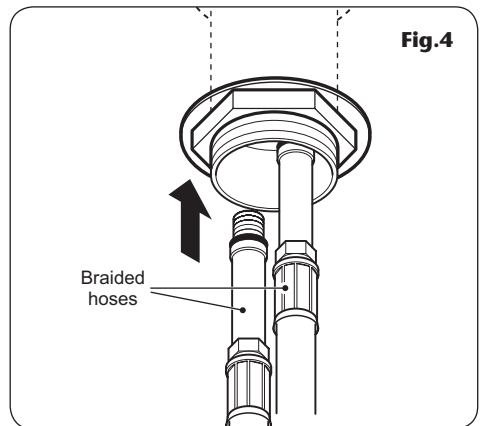
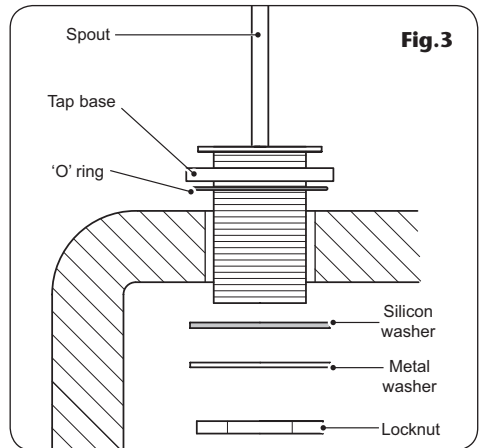
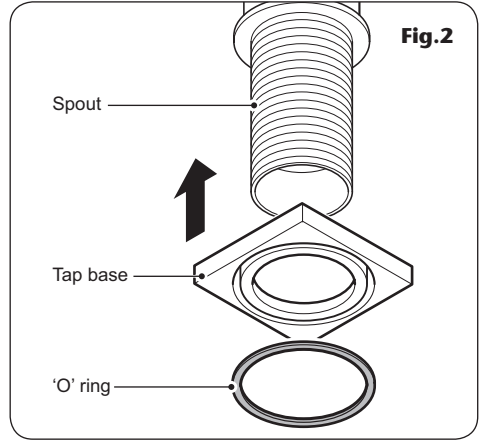
From the underside of the bath, slide the silicon washer, metal washer and locknut onto the threaded tube (**fig.3**). Align the spout and base and with the central pre-cut hole. Tighten the brass locknut fully to secure the spout in position.

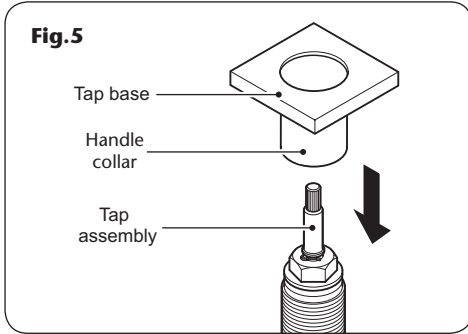
Screw the flexible hoses into the two openings in the spout base and tighten (**fig.4**).

### Fitting the taps

**Note:** The fitting procedure is identical for each tap.

Screw the retaining collar onto the threaded section of the tap assembly, making sure to screw it down to the bottom of the thread. Screw three adjusting screws into the underside of the retaining collar.





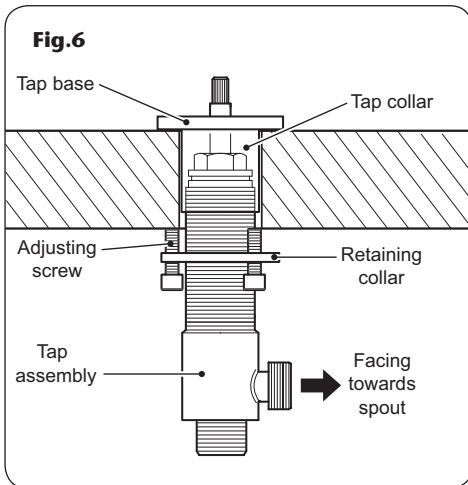
Insert the 'O' ring into the recess in the underside of the tap base. Screw the tap base to the handle collar (**fig.5**).

From the underside of the bath, insert the tap assembly into the pre-cut hole in the bath.

From the top of the bath, screw the tap base and collar onto the tap assembly and tighten. Align the tap and base so that the tap outlet faces towards the spout (**fig.6**).

Tighten the locking nut to hold loosely the tap assembly in place. Using a suitable Allen key, tighten the three retaining screws to secure the tap assembly to the bath (**fig.6**).

Push fit the handle onto the tap assembly spline. Repeat for the remaining tap assembly.

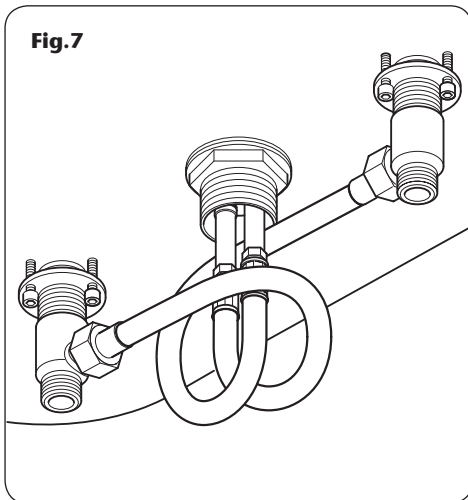


### Connecting the hoses

Connect the steel braided hose on left-hand side to the left-hand (HOT) tap assembly and tighten securely (**fig.7**).

Connect the steel braided hose on right-hand side to the right-hand (COLD) tap assembly and tighten securely.

**Note:** Connect the hot water pipe to the left-hand tap and the cold water pipe to the right-hand tap.

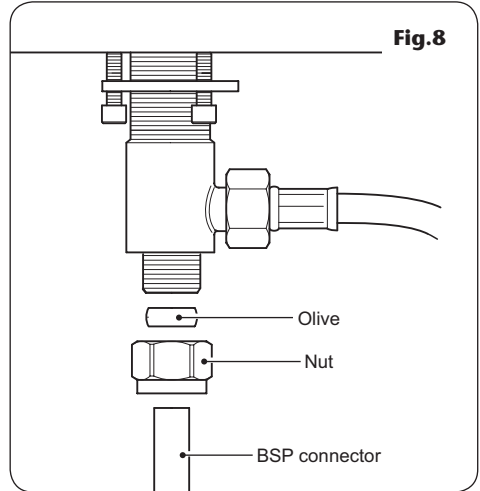


## FINISHING THE INSTALLATION

**IMPORTANT:** Before completing the connection of the water supply to the taps, flush out the system to remove any debris in the pipework. This can be done by connecting a hose to the pipework and turning on the mains water supply long enough to clear the debris to waste.

Use a standard  $\frac{3}{4}$ " BSP nut and olive to connect the incoming COLD supply pipework to the right-hand inlet (**fig.8**).

Again, using a standard  $\frac{3}{4}$ " BSP nut and olive, connect the incoming HOT supply pipework to the left-hand inlet.



**WARNING!**

**DO NOT use 'powerful' abrasive or solvent cleaning fluids when cleaning the shower as they may damage the fittings.**

**OPERATION**

Rotating the tap handles controls the flow and temperature.

The right-hand tap controls the cold water and the left-hand tap controls the hot water.

To turn the taps on, rotate anti-clockwise. To turn the taps off, rotate clockwise.

**CLEANING**

**IMPORTANT:** DO NOT use abrasive or solvent cleaning fluids. The mixer unit should be cleaned using a soft cloth and warm water. Any stains should be removed using washing up liquid.



Triton Plc  
Triton Road  
Nuneaton  
Warwickshire CV11 4NP