

ASPIRANTE

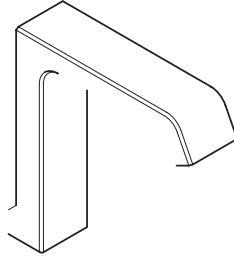
FERVORE

Three-hole bath tap



Installation and Operating Instructions

INSTALLERS PLEASE NOTE THESE INSTRUCTIONS ARE TO BE LEFT WITH THE USER



f



INTRODUCTION

This guide contains all the necessary fitting instructions for your Aspirante Fervore 3-hole bath tap.

Note: The Fervore bath tap is suitable for use with 3-hole style baths only.

Please read this guide carefully before beginning your installation.

The tap installation must be carried out by a suitably competent person and in the sequence specified in these instructions. Care taken during the installation will provide a long life and trouble free operation from your tap.

DO NOT choose a position where the tap could become frozen.

Replacement parts can be ordered from Triton Customer Service (*see back page*).

SITE REQUIREMENTS

WARNING!

The mixer must not be positioned where it will be subject to freezing conditions.

This tap is suitable for high water pressures only and should be fitted in accordance with Water Regulations.

Running pressure — 1.0 bar to 5 bar.

Static pressure — 10 bar

Maximum temperature — 85°C.

Recommended temperature — 60 to 65°C.

Note: For the ideal flow pattern of the mixer, a maximum running pressure of 3 bar is recommended.

INSTALLATION

Fitting the spout

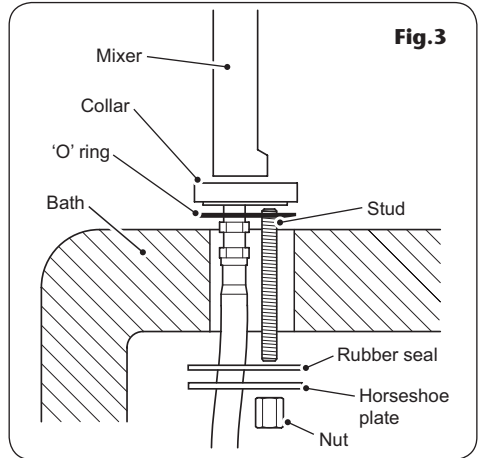
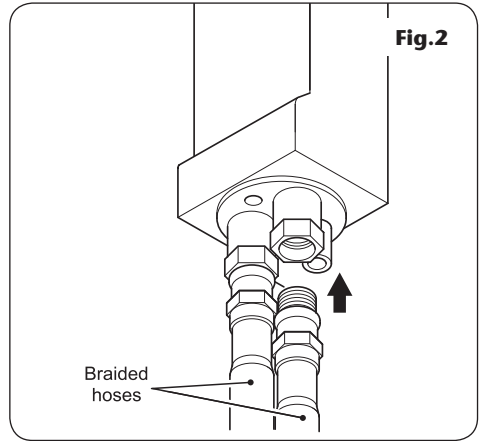
Screw the two steel braided hoses to the inlets in the base of the spout (**fig.2**).

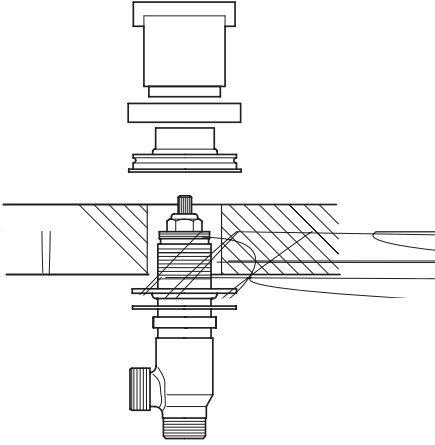
Screw the retaining stud into the base of the spout.

Make sure the tap spout base and 'O' ring correctly locate with the bottom of the spout and with the central pre-cut hole on the bath (**fig.3**).

From the underside of the bath, slide the rubber horseshoe washer and horseshoe plate onto the threaded boss at the base of the spout.

Screw the brass locknut onto the threaded boss and tighten fully to secure the spout in position.





Fitting the taps

Note: The fitting procedure is identical for each tap.

From the underside of the bath, insert the tap assembly, rubber seal and metal washer into the pre-cut hole in the bath with the rubber seal on top of the washer (**fig.4**).

From the top of the bath, screw the locking nut onto the tap assembly. Align the tap so that the tap outlet faces towards the spout (**fig.4**), and tighten the locking nut to secure in place.

Loosen the small grub screw in the tap handle base and fit over the locking nut. Align the tap base with the spout base and tighten the grub screw to secure.

Slide the tap handle onto the spindle at the top of the tap assembly. Using a suitable Allen key, tighten the small grub screw in the handle base to secure.

Repeat for the remaining tap assembly.

Connecting the hoses

Connect the steel braided hose on left-hand side to the left-hand (HOT) tap assembly and tighten securely (**fig.5**).

Connect the steel braided hose on right-hand side to the right-hand (COLD) tap assembly and tighten securely.

Note: Connect the hot water pipe to the left-hand tap and the cold water pipe to the right-hand tap.

FINISHING THE INSTALLATION

IMPORTANT: Before completing the connection of the water supply to the taps, flush out the system to remove any debris in the pipework. This can be done by connecting a hose to the pipework and turning on the mains water supply long enough to clear the debris to waste.

Use a standard $\frac{3}{4}$ " BSP nut and olive to connect the incoming COLD supply pipework to the right-hand inlet (**fig.6**).

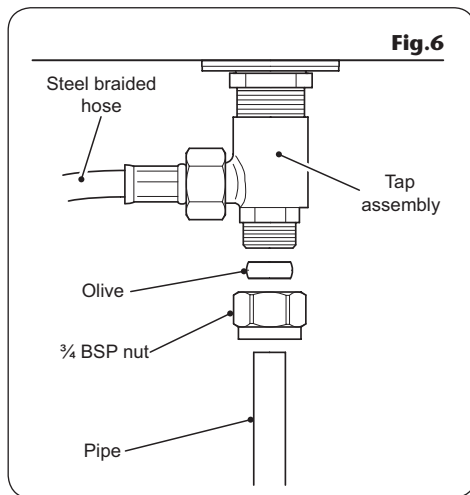
Again, using a standard $\frac{3}{4}$ " BSP nut and olive, connect the incoming HOT supply pipework to the left-hand inlet.

OPERATION

The mixer works by rotating the tap handles to control flow and temperature. The right-hand tap controls the cold water and the left-hand tap controls the hot water. To turn the taps on, rotate anti-clockwise. To turn the taps off, rotate clockwise.

CLEANING

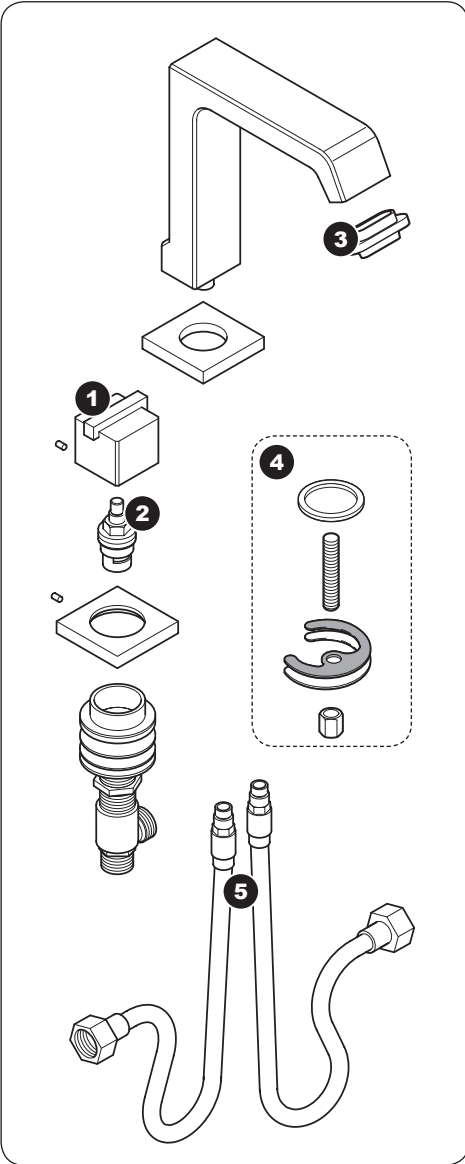
IMPORTANT: DO NOT use abrasive or solvent cleaning fluids. The mixer unit should be cleaned using a soft cloth and warm water. Any stains should be removed using washing up liquid.



SPARE PARTS

Ref. Description Part No.

-
- | | | |
|----|---------------------|----------|
| 1. | Tap handle | 83309350 |
| 2. | ¼ turn cartridge | 86609290 |
| 3. | Anti-splash | 83309400 |
| 4. | Bath tap fixing kit | 83309440 |
| 5. | Flexi hose | 83309510 |





*A **NORGROS** Company*

Triton Plc
Triton Road
Nuneaton
Warwickshire CV11 4NR