

WIRING GUIDE

9954 EN

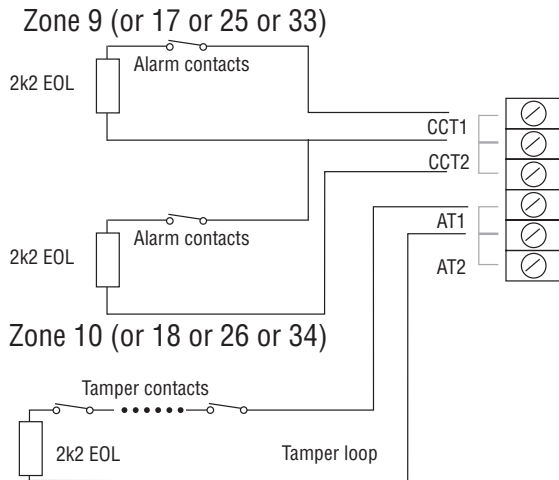
HARDWIRED EXPANDER

Cooper Security Ltd
Security House
Vantage Point Business Village
Mitcheldean
Gloucestershire
GL17 0SZ
Product Support (UK) Tel: +44 (0) 870 757 5400.
Available between: 08:15 and 17:00 Monday to Friday.
Product Support Fax: (01594) 545401
Part No; 497340 Issue 1


COOPER Menvier

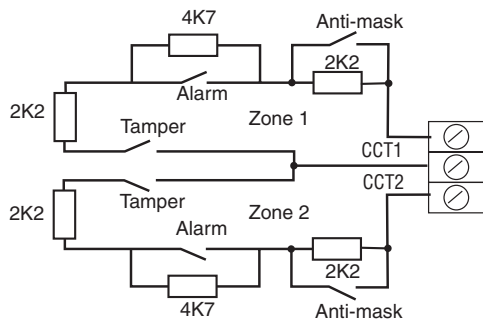

Scantronic

Two-wire EOL



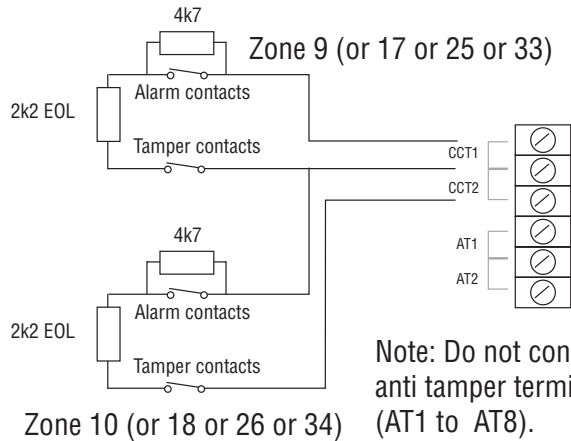
Note: Use one tamper loop for all eight detectors. Do not connect AT2, AT3, AT4, AT5, AT6, AT7 or AT8.

Three-Resistor Anti-Masking



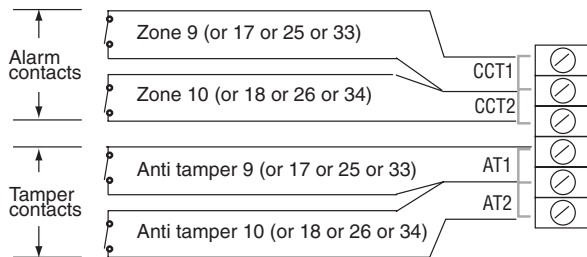
Note: Use Two-wire FSL setting.

Two-wire FSL



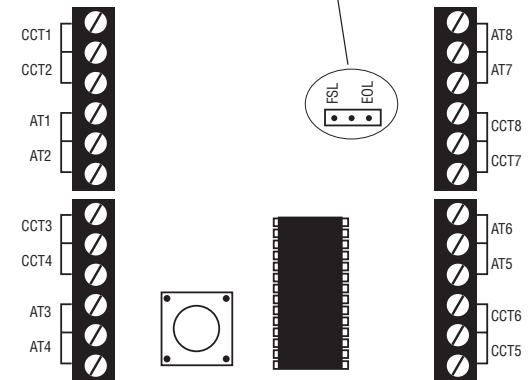
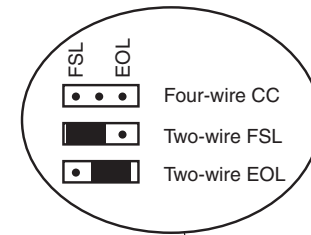
Note: Do not connect any anti tamper terminals (AT1 to AT8).

Four-wire CC



Addressing Expanders

When using a 9954 make sure you place the jumper link on the expander in the correct position to select either four-wire CC, or two-wire FSL or EOL. Use the same wiring type as the control unit.



Place a link on the appropriate pins to select the zone number range served by the expander. Once you have connected an expander refer to the instructions supplied in order to connect detectors.

