

this product information has been extracted from

# the heat book

## FXL RANGE

**Tel:** 0845 600 5111

**Fax:** Customer Care: 01489 773053

**Email:** [customer.services@glendimplex.com](mailto:customer.services@glendimplex.com)

**Website:** [www.dimplex.co.uk](http://www.dimplex.co.uk)

# automatic fan storage heaters

BUILDING REGULATIONS  
PART L COMPLIANT

## the FXL range

The FXL range of automatic fan storage heaters sets new standards for performance, control and economy.

With 2½ times greater insulation than conventional storage heaters, more useful heat is available for later in the day and in severe weather.

This higher heat retention directly reduces running costs by up to 25%. A low noise thermostatically controlled fan ensures that the stored heat is delivered only as required, resulting in better comfort and more evenly controlled room temperatures.

A fully automatic charge system ensures just the right amount of heat is stored whatever the weather and requires no adjustment by the user and meets the requirements of Building Regulations Part L1, which requires all storage heaters installed in new buildings to be fitted with automatic charge controls.



## Range features

- Compact design, little larger than conventional storage heaters.
- Simple one-touch control for ease of use.
- Requires little or no top up from day energy, resulting in lower annual running costs.
- Can add up to 6 points to a property's SAP energy rating.
- Built in boost element for supplementary heating.
- Automatic charging provides excellent economy on all tariffs.
- High fan speed selectable for faster core discharge in commercial environments.
- Accurate thermostatic control of room temperature.
- Fan operation can be controlled by external timer.
- Requires both off peak and 24 hour electrical supplies.
- Secure wall fixing for safety.
- Feet may be fitted under carpet or on top of suitable floor covering.
- Simple assembly for flexible positioning and quick installation.
- Compatible with all off peak tariffs.
- See page 36 for accessories.

Model FXL18



easy-to-use controls

# technical specifications

## Heat Retention

The core heat storage bricks are enclosed by insulation panels providing approximately 2 1/2 times more heat retention than conventional storage heaters.

## Core Discharge

Achieved by a low noise centrifugal type fan drawing air through the hot core. The fan is switched by the room thermostat to allow heat output on demand.

## Automatic Charging

Charging is regulated by a unique system monitoring both room temperature and the state of the storage core.

## Boost Heating

Provided by a supplementary element which will only operate when the useful core heat is exhausted.

## Internal Details

### 1 Insulation

Microporous Silica and Mineral Wool.

### 2 Storage Core

High density bonded magnetite bricks (standard bricks as used on XL/XLS/CXL/CXLS heaters).

### 3 Heating Elements

Sheathed type.

### 4 Core Extract Fan

Low noise centrifugal type.

### 5 Direct Acting Heater

Integral fan boost element.

### 6 Supply Connection

Two supplies taken into heater for separate storage and fan circuits. Storage heater circuit connection and fan circuit connection all at right hand end of base. Provision for left or right hand cable entry to all circuits.

## Controls

### 1 User Controls

Manually adjustable room temperature thermostat. On/Off switch for boost.

### 2 Installer Set Controls

For commercial applications, installer can permanently select higher fan speed for faster core heat extraction.

## IP Rating

N/A.

## Packing

### 1 Case Assembly and Weights

Containing assembled heater case and heating elements. Packed in single carton.

Model	Weight without bricks	Weight with bricks	No. of bricks
FXL18	26kg	120kg	12
FXL24	32kg	157kg	16

### 2 Storage Bricks

Supplied, 2 bricks per pack. Approx weight of each brick 7.5kg. (See above for weight of heater with and without bricks).

## Finish

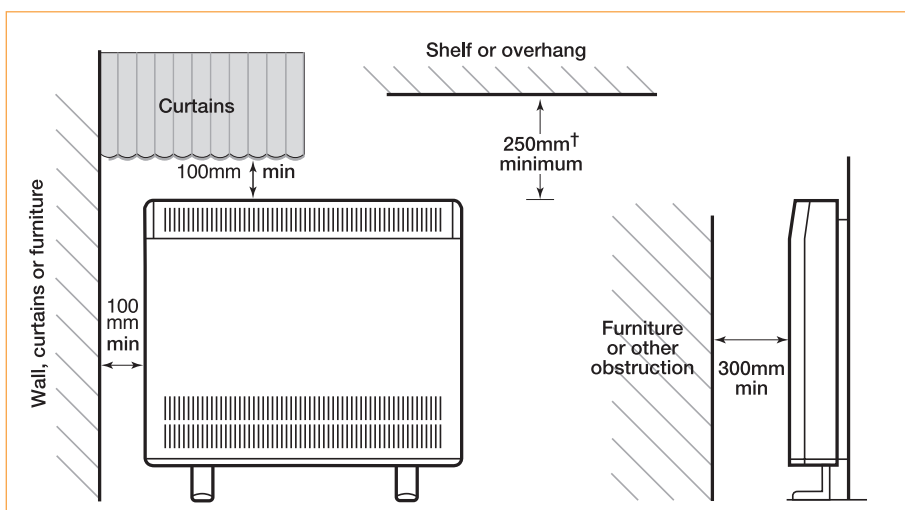
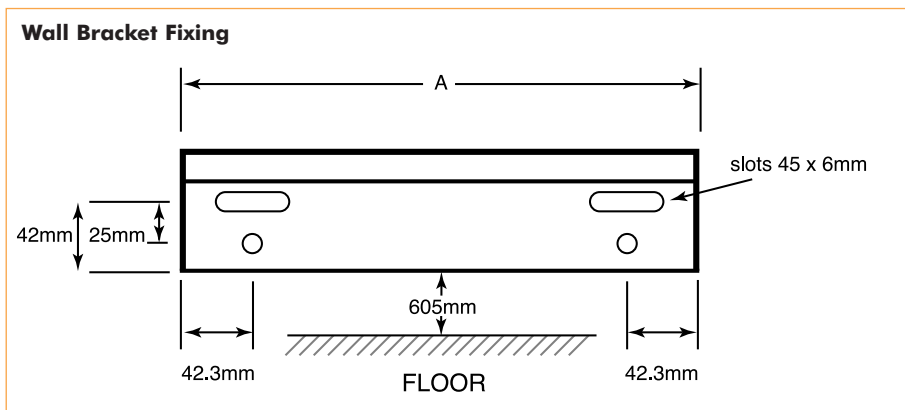
Front panel, sides and top panel – Willow White; Rear heat shield and wall spacer – contrasting Birch Grey.

## Shelf

An attractive shelf is available in 2 lengths (see page 28 for photograph).

## Accessories

Please refer to page 36 for details of optional accessories.



† When using Dimplex shelves a clearance of 150mm must be maintained.

The wall fixing arrangement is adjustable to accommodate for skirtings up to 150mm high and 25mm deep.

Model	FXL18	FXL24
Dimension A	769mm	997mm
No. of Slots	4	5

Model No.	FXL18	FXL24
Height	700mm	700mm
Width	788mm	1016mm
Depth	183mm	183mm
Storage input loading	2.55kW	3.4kW
Direct acting loading	1.5kW	1.5kW
No. of bricks	12	16
Weight	120kg	157kg
Shelf Model No.	SHE18	SHE24

## After Sales Service

After sales service if required is absolutely no problem with Dimplex – we have a network of appointed Service Agents spread throughout the Country who are qualified and trained to repair or service any of our appliances.

## Bathrooms

Any electrical appliances installed in a bathroom should be fitted by a competent electrician in accordance with the current I.E.E. Regulations.

Portable heaters are NOT suitable for use in a bathroom.

Unless otherwise specified in this brochure, heaters that can be permanently fixed have to be so mounted that any controls cannot be reached by a person using a bath or shower. This restriction does not apply to Dimplex heated towel rails, which do not have controls.

## Safety

Dimplex products are designed to comply with EN60335 the British Standard covering the safety requirements of electric heating appliances, and momentary contact with any part of the heater should not cause injury. However, in order to be effective, heaters or towel rails of any type do get hot especially (if applicable) around the air outlet grille. Therefore if aged or infirm persons, or young children, are likely to be left unsupervised in the vicinity of a heater we advise that precautions should be taken. We recommend that a guard is fitted around the heater, as is normal with many types of heating appliance in similar circumstances, to ensure contact with the heater is avoided and objects cannot be inserted into the product.

(Please see page 36 for details of accessory guards.)

Heating appliances should never be covered or positioned where objects may fall onto them.

## Specifications

Dimplex policy is one of continuous improvement; the Company therefore reserves the right to alter specifications without notice. Although every care has been taken in the reproduction of product finishes in this brochure, the colour photographs should be taken only as a guide. The information contained in this brochure is correct at the time of printing. You are advised to consult your dealer before purchasing.

## Plugs

All portable appliances are supplied with a fitted plug.

## British Electrotechnical Approvals Board BEAB Approved



The mark of the British Electrotechnical Approvals Board signifies that the appliance bearing it has been produced to the stringent safety requirements for domestic electrical appliances as laid down in EN60335.

## CE Mark



Products carrying the CE mark comply with European safety standards and the European Standard for electro-magnetic compatibility.

## Installation Guidance

This brochure is designed to assist you with your choice of Dimplex products and it is not intended as an installation guide.

For safety, products should only be installed by a competent person, in accordance with current regulations and the manufacturers instructions. If you require further advice concerning the installation of our products – especially where the installed dimensions may be critical to your choice and the location of the product – please contact our Customer Care on 0845 600 5111 or consult your installer.

Please note that the dimensions contained within this brochure do not in all cases include clearances required around installed products for safe operation.

## Useful Numbers


**Tel:** 0845 600 5111  
**Fax:** Customer Care: 01489 773053  
Brochure line: 01489 773063  
Main Reception: 01489 773050  
**Email:** customer.services@glendimplex.com  
**Websites:** www.dimplex.co.uk  
www.dimplex-resource.co.uk



© Glen Dimplex UK Limited

All rights reserved. Material contained in this publication may not be reproduced in whole or in part, without prior permission in writing from Glen Dimplex UK Limited.

All Optiflame fires are protected by patent nos GB2230335, AU621713, USA4965707, IE63651 and NZ232435.

Printed on  accredited paper (from sustainable sources).

**Dimplex**  
Making life comfortable

Glen Dimplex UK Limited, Millbrook House, Grange Drive, Hedge End, Southampton, SO30 2DF

For Northern Ireland please contact – Glen Dimplex N.I. Limited, Unit No. 24, Seagoe Industrial Estate, Portadown, Craigavon, Co. Armagh, BT63 5TH. Telephone: 02838 337317

Designed and produced by Carrington Caunter Associates Limited, Christchurch (Bournemouth). Telephone 01202 499612

D1267/0207