

### Cleaning:

- > Clean this light fitting only with a soft dry cloth
- > Do not use any chemical or abrasive cleaners.

### Lamp replacement:

- > Switch off the electricity at the mains.
- > Undo the screws at the top and bottom of the fitting and lift off the front.
- > Remove and replace lamp.
- > Replace the front of the fitting and tighten the two screws.

### Replacement lamp type:

Wattage: 60 W  
Type: ES GLS  
**Note:** Do not fit reflector lamps  
(spotlight or crown reflector)

### Technical information

Operating Voltage: 220 / 240Vac 50Hz  
Detection angle: 180°  
Maximum detection range: 3m ±20s  
Sensitivity and Lux level are factory set and not adjustable

### Eventually, you may want to replace this light fitting:

When your light fitting comes to the end of its life or you choose to update or upgrade it by replacing it, please do not dispose of it with your normal household waste, please recycle where facilities exist. When you need to dispose of this fitting, check with your retailer or local authority for suitable options. New regulations require the recycling of Waste from Electrical and Electronic Equipment ( European "WEEE Directive" effective August 2005— UK WEEE Regulations effective 2nd January 2007 ).



### If you experience problems:

If your light is defective or develops a fault, please return it to the place where you bought it. You can call our Helpline for advice. The Helpline will gladly give advice on any aspect of any Eterna Lighting product but may not be able to give specific instructions regarding individual installations.

**If in doubt, consult a qualified electrician.**

### Help line:

Tel: 01933 673 144 Fax: 01933 678 083 Email: [sales@eterna-lighting.co.uk](mailto:sales@eterna-lighting.co.uk)  
For answers to frequently asked questions ( FAQs ) and other information visit our web-site  
[www.eterna-lighting.co.uk](http://www.eterna-lighting.co.uk)



# IMPORTANT!

## Safety and Installation instructions

## Half Wall Lantern with PIR

**Model(s)**  
PIRHL60WH, PIRHL60BK

### Pack contents:

Half wall lantern	1
Fixing pack	1

**PLEASE READ THESE INSTRUCTIONS BEFORE  
INSTALLING YOUR NEW FITTING**

**PLEASE RETAIN FOR FUTURE REFERENCE**

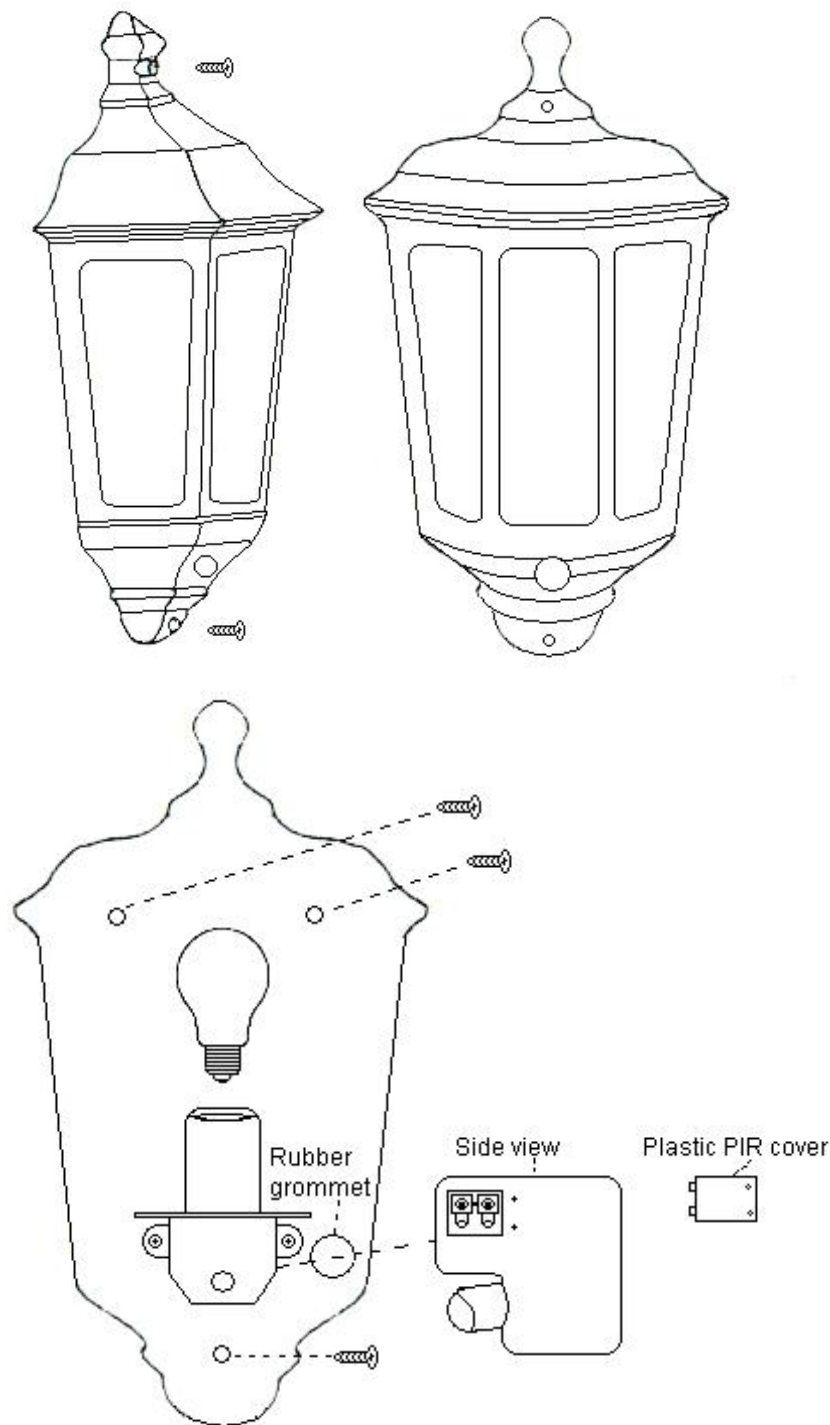
## Read this first:

- > This light fitting must be installed in accordance with the Building Regulations. These may be obtained from HMSO or viewed and downloaded from [www.communities.gov.uk](http://www.communities.gov.uk) following the link for Building Regulations.
- > If in any doubt, consult a qualified electrician.
- > Switch off the mains before commencing installation and remove the appropriate circuit fuse.
- > Suitable for outdoor use.
- > This product is suitable for installation on surfaces with normal flammability ( indicated by the "F" in a triangle ) e.g. wood, plasterboard, masonry. It is not suitable for use on highly flammable surfaces ( e.g. polystyrene, textiles ).
- > Before making fixing hole(s), check that there are no obstructions hidden beneath the mounting surface such as pipes or cables.
- > The chosen location of your new fitting should allow for the product to be securely mounted and safely connected to the mains supply ( lighting circuit ).
- > If the location of your new fitting requires the provision of a new electrical supply, the supply must conform with the requirements of the Building Regulations.
- > This product is designed for permanent connection to fixed wiring: this should be either a suitable lighting circuit ( protected with a 5 or 6 Amp MCB or fuse ) or a fused spur ( with a 3 Amp fuse ) via a fused connection unit. We recommend that the supply incorporates a switch for ease of operation.
- > Make connections to the electrical supply in accordance with the following code:
  - Live - Brown or Red
  - Neutral - Blue or Black
- > This fitting is double insulated, do not connect any part to earth.

- > You are advised at every stage of your installation to double-check any electrical connections you have made. After you have completed your installation there are electrical tests that should be carried out: these tests are specified in the Wiring Regulations ( BS7671 ) referred to in the Building Regulations. If in doubt, consult a qualified electrician.

## Installation:

- 1) Undo the screws at the top and bottom of the fitting and lift off the front.
- 2) Undo the two screws at the side of the plastic PIR cover .
- 3) Using the back of the fitting as a template, mark the location of the fixing holes.
- 4) Pierce the rubber grommet in the back of the fitting. Make the hole as small as possible so that a good watertight seal is maintained when the cable has been threaded through.
- 5) Thread the cable through the grommet.
- 6) Secure the fitting to the wall using fixings (supplied). If the fixings supplied with your fitting are not appropriate to your installation, select suitable alternatives.
- 7) Make the connections to the connector block inside the PIR according to the colour code [see left]. Make sure that terminals are tightened securely and that no strands of wire protrude.
- 8) Replace the plastic PIR cover and tighten the screws.
- 9) Insert a lamp observing the type and maximum Wattage marked on the fitting and listed on the back page.
- 10) Replace the front of the fitting and tighten the screws.
- 11) Restore the power and switch on.



PIRHL60WH-BK PIR Half lantern [plastic] 080610nk

Safety markings:

IP44

