

TR, S & DX4123 RANGES

this product information has been extracted from

theheatingbook



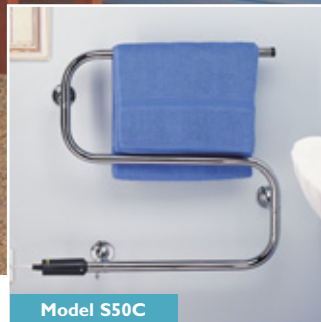
Tel: Customer Services: 0870 727 0101

Fax: Customer Services: 0870 727 0102

Email: customer.services@glendimplex.com **Website:** www.dimplex.co.uk



Model TRC130



Model S50C



Model TRS120/W

Electric towel rails

the S and TR range

What a difference warm, dry towels make! With a Dimplex towel rail you can have them all the time but at amazingly low running costs – from only about as much as a light bulb or two.

The popular S range is ideal for drying and airing small towels in areas such as kitchens, cloakrooms and ensembles.

The low wattage spiral element provides an even surface temperature and very economical operation. TR range towel rails are permanently liquid filled for maintenance free operation. They can be mounted for left or right hand cable entry.

No plumbing. No problems. And they can be left switched on indefinitely.

S RANGE FEATURES

- Dry element tubular steel towel rail.
- Durable white stove enamel (S50W, S70) or chrome plated (S50C).
- S50W provides lower surface temperature.
- Suitable for wall mounting only.
- Splash-proof (IPX4 rated) for use in bathrooms and other wet areas.
- Surface temperature is regulated by steady state dissipation of heat from the low wattage element.
- Can be used with Dimplex energy regulator DX4123 (see page 51 for full details).

TR RANGE FEATURES

- A range of five models.
- Choice of sizes and finishes.
- Oil filled.
- Larger models will help to take the chill off a small bathroom or cloakroom.
- Mains neon indicator.
- Splash-proof (IPX4 rated) for use in bathrooms and other wet areas.
- Supplied with wall mounting brackets as standard.
- Feet available as an optional extra on selected models.
- Models up to 200W can be used with Dimplex energy regulator DX4123 (see page 51 for full details).

TR AND S TOWEL RAILS

CONSTRUCTION

Tubular steel.
S range – dry element
TR range – oil filled

CABLE ENTRY

1. All models – left or right hand.
2. S range only – top or bottom.

COLOUR/FINISH

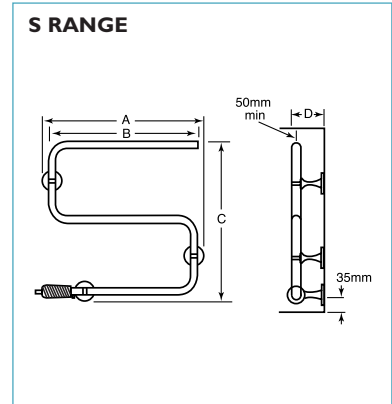
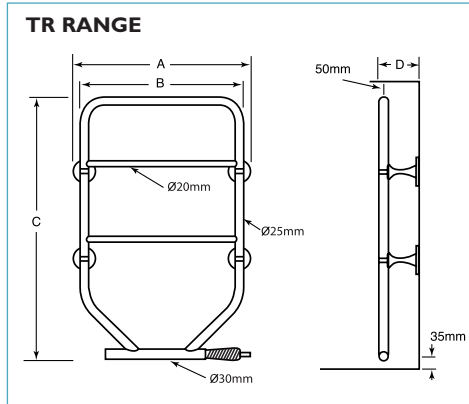
White stove enamel or chrome plated. As a plated finish radiates more heat, the plated models have a lower loading compared with the equivalent physical size stove enamel model, so that both have a similar surface temperature.

IP RATING

Splash-proof IPX4 for bathroom use.

ELECTRICAL CONNECTIONS

Supply cable is provided for connection to the fixed wiring of the premises via a suitable double pole isolating switch. Installation must be carried out strictly in accordance with the current edition of the IEE Wiring Regulations. If the towel rail is fitted in a bathroom essentially these Regulations preclude the use of a plug and socket and any control switch must be normally inaccessible to a person using a fixed bath or shower. The pull cord of a cord-operated switch is not affected by this Regulation. An earth bonding lug is provided to allow equipotential earth bonding in bathrooms.



DIMENSIONS AND LOADINGS

MODEL NO.	LOADING	A	B	C	D	FINISH
TRC 90/W	60 W	570mm	533mm	616mm	114mm	Chrome
TRS 120/W	120 W	570mm	533mm	616mm	114mm	White
TRC 130/W	90 W	570mm	533mm	851mm	114mm*	Chrome
TRC 150/W	120 W	825mm	787mm	851mm	114mm*	Chrome
TRS 175/W	175 W	570mm	533mm	851mm	114mm*	White
S50C	45W	605mm	568mm	555mm	115mm	Chrome
S50W	45W	605mm	568mm	555mm	115mm	White
S70	70W	605mm	568mm	555mm	115mm	White

* including wall bracket. Depth with feet 165mm

ACCESSORY FEET

TR RANGE PART NO.	
TR2212	Chrome – for TRC130, TRC150
TR2304	White – for TRS175

*Models TRC90/W and TRS120/W not suitable for floor standing.

TOWEL RAIL ENERGY REGULATOR

Designed to enable the towel rail surface temperatures to be regulated for applications where a lower surface temperature is ideal for reducing the towel rail output in summer, when the requirement is to dry towels without significantly increasing the temperature of the

room. It can also ensure a low temperature is selected where very young children or the old and infirm are likely to come into regular contact with the towel rail.

The energy regulator also has the ability to significantly decrease running costs, if the

intention is to use the towel rail continuously.

INSTALLATION

Back box depth of 17mm required behind fascia plate.

MODEL	DX4123
Maximum Load	250W
Switching	Rotary knob, 300° rotation with ON/OFF rotary actuator
Output Range	0-100% with indices marked 0-9 and max., and with close control of temperature on settings 0-4
Standards Compliance	Complies with BS800, BS5518 (where applicable)
Colour	White
Dimensions	85mm (H) x 85mm (W) x 45mm (D)

Suitable for all TR & S range, BR150C, BR150W, BR200C, DLR175, DLR175C



After Sales Service

After sales service if required is absolutely no problem with Dimplex – we have a network of appointed Service Agents spread throughout the Country who are qualified and trained to repair or service any of our appliances. A list of Service Agents is available on request.

Bathrooms

Any electrical appliances installed in a bathroom should be fitted by a competent electrician in accordance with the current I.E.E. Regulations.

Portable heaters are NOT suitable for use in a bathroom.

Unless otherwise specified in this brochure, heaters that can be permanently fixed have to be so mounted that any controls cannot be reached by a person using a bath or shower. This restriction does not apply to Dimplex heated towel rails, which do not have controls.

Safety

Dimplex products are designed to comply with EN60335 the British Standard covering the safety requirements of electric heating appliances, and momentary contact with any part of the heater should not cause injury. However, in order to be effective, heaters or towel rails of any type do get hot especially (if applicable) around the air outlet grille. Therefore if aged or infirm persons, or young children, are likely to be left unsupervised in the vicinity of a heater we advise that precautions should be taken. We recommend that a guard is fitted around the heater, as is normal with many types of heating appliance in similar circumstances, to ensure contact with the heater is avoided and objects cannot be inserted into the product.

(Please see page 38 for details of accessory guards.)

Heating appliances should never be covered or positioned where objects may fall onto them.

Specifications

Dimplex policy is one of continuous improvement; the Company therefore reserves the right to alter specifications without notice. Although every care has been taken in the reproduction of product finishes in this brochure, the colour photographs should be taken only as a guide. The information contained in this brochure is correct at the time of printing. You are advised to consult your Dealer before purchasing.

Plugs

All portable appliances are supplied with a fitted plug.

British Electrotechnical Approvals Board BEAB Approved

The mark of the British Electrotechnical Approvals Board signifies that the appliance bearing it has been produced to the stringent safety requirements for domestic electrical appliances as laid down in EN60335.



CE Mark

Products carrying the CE mark comply with European safety standards and the European Standard for electro-magnetic compatibility.



Installation Guidance

This brochure is designed to assist you with your choice of Dimplex products and it is not intended as an installation guide.

For safety, products should only be installed by a competent person, in accordance with current regulations and the manufacturers instructions. If you require further advice concerning the installation of our products – especially where the installed dimensions may be critical to your choice and the location of the product – please contact our customer service department on 0870 727 0101 or consult your installer.

Please note that the dimensions contained within this brochure do not in all cases include clearances required around installed products for safe operation.

Useful Numbers

Tel: Customer Services: 0870 727 0101
Brochure line: 0870 727 0115

Fax: Customer Services: 0870 727 0102
Brochure line: 0870 727 0123

Email: customer.services@glendimplex.com

Website: www.dimplex.co.uk

Dimplex, Twin Sensor and Quartzray are all Registered Trade Marks in the United Kingdom.

Dimplex Optiflame fires are protected by patent Nos: GB2230335, AU621713, USA4965707, IE63651 and NZ232435.

All the Optiflame products shown in this brochure are protected by intellectual property rights owned by Glen Dimplex UK Limited or members of the Glen Dimplex Group on an international basis. The Glen Dimplex Group of Companies will actively protect these rights.

Dimplex®

Making life comfortable

Marketing Department, Millbrook House, Grange Drive, Hedge End, Southampton, SO30 2DF Telephone: 0870 077 7117 Fax: 0870 727 0109

Designed and produced by Carrington Caunter Associates Limited, Christchurch (Bournemouth), Telephone 01202 499612

Selected furniture supplied by BoConcept, Bournemouth / The Furnishing Place, Maidenhead.

Kitchens from Interfit Design Studio, New Milton, Hants. Locations courtesy of: Broomhill Conservatories, Christchurch, Dorset.
Coastal Bathrooms, New Milton, Hants. Everton Nurseries Ltd, Everton, Hants.