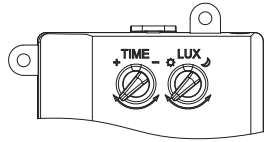




Understanding The Controls



Adjusting The Duration Time

The length of time that the light remains on after activation can be adjusted from 10(±5) seconds to 4(±1) minutes. Turning the TIME control from (+) to (-) reduces the duration time.

Note: Once the light has been triggered by the PIR sensor any subsequent detection will start the timed period again from the beginning

Adjusting The Lux Control Level

The Lux control module has a built-in sensing device (photocell) that detects daylight and darkness. With the control set to the (*) position, the light will operate in both daylight and darkness. With the control set to the (D) position, the light will only operate in darkness. You can adjust this control to operate the light at a desired ambient light level by adjusting the LUX control.

Setting the Controls

1. Turn the Lux control to the (*) position, turn the mains power on and wait half a minute for the control circuit to stabilize.
2. Turn the TIME control to the minimum duration time (-) position. The bulkhead light will now switch on and remain on for about 30 seconds (within 60 seconds).
3. Adjust the sensor so that it faces toward the desired area to be scanned.
4. Walk across the detection area to check that the desired detection area is covered, adjust the position of the sensor as necessary to increase or decrease the coverage as desired.
5. Adjust time control to the required setting.
6. To set the lux level at which the lamp will automatically switch "on" at night, please turn the LUX control from daylight to night. If the lamp is required to switch on earlier, e.g. at dusk, wait for the desired ambient light level, then slowly turn the LUX control knob towards the daylight setting (*) while someone walks across the centre of the area to be detected. When the lamp switches on, release the LUX control. You may need to make further adjustments to achieve your ideal light level setting.

Important: To avoid dust build-up and ensure proper functioning of the PIR detector, periodically wipe the sensor lens lightly with a damp cloth.

Specification

Voltage: 220-240 V 50 Hz
Load: Max 24W CFL
Detection Range: Approx. 120° (horizontal)
Max. 8 meters

Duration Time: From 10(±5) seconds to 4(±1) minutes adjustable

LUX Control Level: from daylight to night adjustable
Weatherproof: IP44
Class I Protection: Class I / Earthed

Safety Markings:     IP44

Cleaning

Disconnect the power and clean the exterior only of this fitting with a moist (not wet) cloth.

Do not use any chemical or abrasive cleaners.

Lamp Replacement

1. Switch off the electricity at the mains.
2. Undo the screw at the top of the diffuser and lift off, take care not to lose the screw and washer.
3. Remove and replace lamp observing the maximum wattage and lamp type marked in the fitting.
4. Replace the diffuser and tighten the screw.
5. Restore the power and switch on.

Replacement Lamp Type

Wattage: 24W maximum
Supply Voltage: 240V
Size / Type: 24W ES Helical CFLi

If your light is defective or develops a fault, please return it to the place where you bought it. You can call our Helpline for advice. The Helpline will gladly give advice on any aspect of any Eterna Lighting product but may not be able to give specific instructions regarding individual installations.

If in doubt, consult a qualified electrician.

Help Line

Tel: 01933 673 144
Fax: 01933 678 083
Email: sales@eterna-lighting.co.uk
For all other information visit our website
www.eterna-lighting.co.uk

Eventually, you may want to replace this light fitting

When your light fitting comes to the end of its life or you choose to update or upgrade it by replacing it, please do not dispose of it with your normal household waste, please recycle where facilities exist. When you need to dispose of this fitting, check with your retailer or local authority for suitable options. New regulations require the recycling of Waste from Electrical and Electronic Equipment (European "WEEE Directive" effective August 2005—UK WEEE Regulations effective 2nd January 2007). Environment Agency Registered Producer: WEE/GA0248QZ



SAFETY AND INSTALLATION INSTRUCTIONS

Models: BH24B, BH24BPIR

24W Low Energy Bulkhead (with PIR)

IMPORTANT! Please read these instructions before installing your new fitting. Please retain for future reference.



Pack Contents

Bulkhead Fitting	x 1
Fluorescent Lamp	x 1
Fixing Pack	x 1

Read this first

Check the pack and make sure you have all of the parts listed on the front of this booklet. If not, contact the outlet where you bought this product.

This product contains glass, care must be taken when assembling, fitting or handling to prevent personal injury or damage to the product.

This light fitting must be installed by a competent person in accordance with the Building Regulations making reference to the current edition of the IEE Wiring Regulations (BS7671). The Building Regulations may be obtained from OPSI or viewed and download from www.communities.gov.uk following the link for Building Regulations.

As the buyer, installer and/or user of this product it is your own responsibility to ensure that this fitting is fit for the purpose for which you have intended it. Eterna Lighting cannot accept any liability for loss, damage or premature failure resulting from inappropriate use.

If in any doubt, consult a qualified electrician.

The lamps supplied with this fitting are consumable parts and therefore may be outside of any warranty offered.

Switch off the mains before commencing installation and remove the appropriate circuit fuse.

When working at heights, please use a suitable platform.

Disconnect the fitting from the electrical supply before flash or high voltage testing.

Suitable for indoor and outdoor use.

This product is suitable for installation on surfaces with normal flammability (indicated by the "F" in a triangle) e.g. wood, plasterboard, masonry. It is not suitable for use on highly flammable surfaces (e.g. polystyrene, textiles).

Before making fixing hole(s), check that there are no obstructions hidden beneath the mounting surface such as pipes or cables.

The chosen location of your new fitting should allow for the product to be securely mounted and safely connected to the mains supply (lighting circuit).

If the location of your new fitting requires the provision of a new electrical supply, the supply must conform with the requirements of the Building Regulations making reference to the current edition of the IEE Wiring Regulations (BS7671).

This product is designed for permanent connection to fixed wiring: this should be either a suitable lighting circuit (protected with a 5 or 6 Amp MCB or fuse) or a fused spur (with a 3 Amp fuse) via a fused connection unit. We recommend that the supply incorporates a switch for ease of operation.

Make connections to the electrical supply in accordance with the following code:

Live - Brown or Red
Neutral - Blue or Black
Earth - Green and Yellow

When making connections, ensure that the terminals are tightened securely and that no strands of wire protrude. Check that the terminals are tightened onto the bared conductors and not onto any insulation. Wrap loose terminal blocks well with insulating tape.

This product must be connected to Earth.

This fitting should be wired to its own dedicated circuit. Do not connect other lights to the same circuit, this will prevent nuisance false triggering. (PIR model)

Do not use in conjunction with a dimmer.

You are advised at every stage of your installation to double-check any electrical connections you have made. After you have completed your installation there are electrical tests that should be carried out: these tests are specified in the Wiring Regulations (BS7671) referred to in the Building Regulations. If in doubt, consult a qualified electrician.

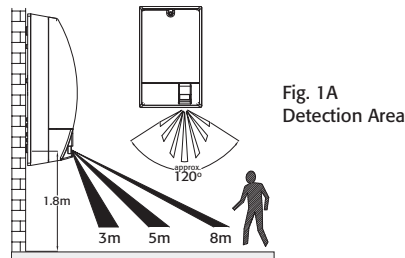
The bulkhead light (PIR version) incorporates a Passive Infra Red sensing device which continuously scans a preset operating zone and immediately switches the lamp on when it detects movement in that area.

While there is movement within range of the unit the lamp will remain on.

Where to Fit Your Bulkhead

To achieve best results, we suggest you take into account the following points:

- For maximum detection range, the bulkhead light should be mounted 1.8 to 2.5 meters (6 to 8ft) above the area to be scanned (refer **Fig.1A**).



- To avoid damage to unit, do not aim the sensor towards the sun.
- To avoid nuisance triggering, the sensor should be directed away from heat sources such as barbecues, air-conditioners, other outside lighting, moving cars and flue vents etc.

Installation

- Choose the location for your new fitting according to each of the conditions listed above.
- Study **Fig. 2** before commencing installation and while reading these instructions.
- Ensure that the bulkhead fitting is installed in the correct orientation i.e. so that the lamp is positioned cap downwards.
- Undo screw (A) and lift off the diffuser, see **Fig. 2**
- Undo screw (B) and remove the transparent plate.
- Using the back of the fitting as a template, mark the fixing hole positions on the mounting surface.
- Drill and plug the mounting surface as appropriate at the marked positions.
- Pierce the cable entry grommet making a hole just large enough to thread your supply cable in. Note that the grommet must be a tight fit around the cable to maintain the ingress protection.

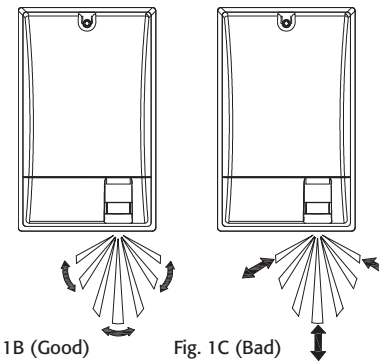
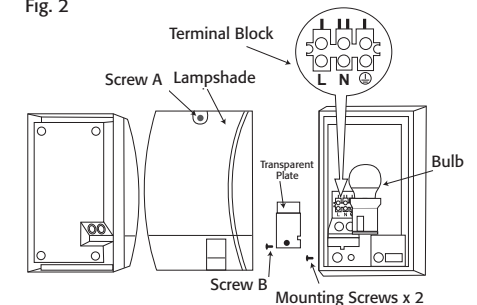


Fig. 2



Trouble Shooting & User Hints

Problem	Possible Cause	Suggested Solutions
Lamp does not switch on when there is movement in the detection area.	<ol style="list-style-type: none"> No mains voltage Near by lighting is too bright Controls set incorrectly Sensor positioned incorrectly 	<ul style="list-style-type: none"> Check all connections, fuses and switches Relocate the fitting Check adjustment of controls Relocate the fitting
Lamp switches on for no apparent reason (false triggering)	<ol style="list-style-type: none"> Heat sources: air-con, vents, heater flues, barbecues, other outside lighting, moving cars are activating sensor Animals or birds Interference from on/off switching of electric fans, lights or appliances on the same circuit (this does not always occur, but a faulty switch or noisy fluorescent light may cause the light to switch on) Reflection from swimming pool or reflective surface 	<ul style="list-style-type: none"> Relocate the fitting away from heat sources Relocate fitting or prevent the passage of animals through the detection area Replace the faulty switch, replace noisy fluorescent tubes and/or starters, or connect to a separate supply circuit Relocate the fitting
Light remains on	<ol style="list-style-type: none"> Continuously false triggered Time to set too long 	<ul style="list-style-type: none"> See above mentioned Adjust the TIME control
Light switches on during daylight hours.	LUX control knob is set to daylight position	Adjust the LUX control
When setting controls in daylight the detection distance becomes shorter.	Interference by sunlight	Re-test at night