

LOW WATTAGE PANELS

this product information has been extracted from

theheatingbook



Tel: Customer Services: 0870 727 0101

Fax: Customer Services: 0870 727 0102

Email: customer.services@glendimplex.com **Website:** www.dimplex.co.uk

Millbrook House, Grange Drive, Hedge End, Southampton SO30 2DF Tel: 0870 077 7117 Fax: 0870 727 0109



Model DXLWP400

Low Wattage Panel Heater

DXLWP range

This stylish new range of slimline panel heaters has an 'accent' beading detail on the front panel and a smooth finish with rounded corners to give that 'designer' touch.

Ideal for low level background heating, the DXLWP range is light and easily portable. Each model can be moved from room to room or for fixing to a wall, a mounting kit is provided.

DXLWP RANGE FEATURES

- 4 model range - 400W and 800W options with and without electronic timer.
- Single heat setting
- On/off neon switch
- Wall mounting kit
- Overheat protection
- 3 year guarantee
- Low running cost
- DXLWP400TI and DXLWP800TIN with electronic timer

DXLWP TECHNICAL SPECIFICATION

CONTROLS

All models have a single heat setting with a neon switch, so you can easily see when the product is switched on.

ELECTRONIC TIMER

24hr programmable timer available on both the DXLWP400TI and DXLWP800TIN.

COLOUR/FINISH

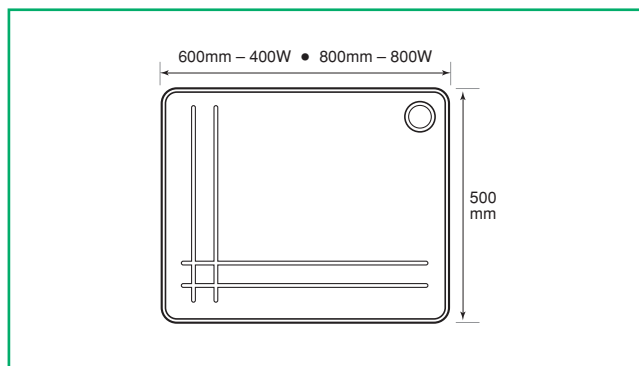
White

CABLE/PLUG

Supplied with cable and fitted with 13 amp plug.

SAFETY PROTECTION

All models have auto re-set cut out for added safety.



MODEL	LOADING (W)	TIMER	HEIGHT without feet	WIDTH	DEPTH	WEIGHT (kg)
DXLWP400	400	x	500	600	200	4.74
DXLWP400TI	400	✓	500	600	200	4.84
DXLWP800	800	x	500	800	200	6.24
DXLWP800TIN	800	✓	500	800	200	6.34

*All dimensions are in mm

After Sales Service

After sales service if required is absolutely no problem with Dimplex – we have a network of appointed Service Agents spread throughout the Country who are qualified and trained to repair or service any of our appliances. A list of Service Agents is available on request.

Bathrooms

Any electrical appliances installed in a bathroom should be fitted by a competent electrician in accordance with the current I.E.E. Regulations.

Portable heaters are NOT suitable for use in a bathroom.

Unless otherwise specified in this brochure, heaters that can be permanently fixed have to be so mounted that any controls cannot be reached by a person using a bath or shower. This restriction does not apply to Dimplex heated towel rails, which do not have controls.

Safety

Dimplex products are designed to comply with EN60335 the British Standard covering the safety requirements of electric heating appliances, and momentary contact with any part of the heater should not cause injury. However, in order to be effective, heaters or towel rails of any type do get hot especially (if applicable) around the air outlet grille. Therefore if aged or infirm persons, or young children, are likely to be left unsupervised in the vicinity of a heater we advise that precautions should be taken. We recommend that a guard is fitted around the heater, as is normal with many types of heating appliance in similar circumstances, to ensure contact with the heater is avoided and objects cannot be inserted into the product.

(Please see page 38 for details of accessory guards.)

Heating appliances should never be covered or positioned where objects may fall onto them.

Specifications

Dimplex policy is one of continuous improvement; the Company therefore reserves the right to alter specifications without notice. Although every care has been taken in the reproduction of product finishes in this brochure, the colour photographs should be taken only as a guide. The information contained in this brochure is correct at the time of printing. You are advised to consult your Dealer before purchasing.

Plugs

All portable appliances are supplied with a fitted plug.

British Electrotechnical Approvals Board BEAB Approved

The mark of the British Electrotechnical Approvals Board signifies that the appliance bearing it has been produced to the stringent safety requirements for domestic electrical appliances as laid down in EN60335.



CE Mark

Products carrying the CE mark comply with European safety standards and the European Standard for electro-magnetic compatibility.



Installation Guidance

This brochure is designed to assist you with your choice of Dimplex products and it is not intended as an installation guide.

For safety, products should only be installed by a competent person, in accordance with current regulations and the manufacturers instructions. If you require further advice concerning the installation of our products – especially where the installed dimensions may be critical to your choice and the location of the product – please contact our customer service department on 0870 727 0101 or consult your installer.

Please note that the dimensions contained within this brochure do not in all cases include clearances required around installed products for safe operation.

Useful Numbers

Tel: Customer Services: 0870 727 0101
Brochure line: 0870 727 0115

Fax: Customer Services: 0870 727 0102
Brochure line: 0870 727 0123

Email: customer.services@glendimplex.com

Website: www.dimplex.co.uk

Dimplex, Twin Sensor and Quartzray are all Registered Trade Marks in the United Kingdom.

Dimplex Optiflame fires are protected by patent Nos: GB2230335, AU621713, USA4965707, IE63651 and NZ232435.

All the Optiflame products shown in this brochure are protected by intellectual property rights owned by Glen Dimplex UK Limited or members of the Glen Dimplex Group on an international basis. The Glen Dimplex Group of Companies will actively protect these rights.

Dimplex®

Making life comfortable

Marketing Department, Millbrook House, Grange Drive, Hedge End, Southampton, SO30 2DF Telephone: 0870 077 7117 Fax: 0870 727 0109

Designed and produced by Carrington Caunter Associates Limited, Christchurch (Bournemouth), Telephone 01202 499612

Selected furniture supplied by BoConcept, Bournemouth / The Furnishing Place, Maidenhead.

Kitchens from Interfit Design Studio, New Milton, Hants. Locations courtesy of: Broomhill Conservatories, Christchurch, Dorset.
Coastal Bathrooms, New Milton, Hants. Everton Nurseries Ltd, Everton, Hants.