

WFE RANGE

this product information has been extracted from

theheatingbook



Tel: Customer Services: 0870 727 0101

Fax: Customer Services: 0870 727 0102

Email: customer.services@glendimplex.com **Website:** www.dimplex.co.uk

Millbrook House, Grange Drive, Hedge End, Southampton SO30 2DF Tel: 0870 077 7117 Fax: 0870 727 0109

NEW

Wall mounted fan convector heaters

the **WFC** & **WFE** range

With a powerful 3kW maximum output, the WF range provides rapid response heating with accurate temperature control, making them ideal for commercial use in areas such as shops, offices, restaurants and waiting areas.

Both WFC and WFE models are thermostatically controlled and draw room temperature air through the front panel and blow warm air out of the concealed based grille. This sets up a very effective circulation of air in the room for rapid warm-up and to maintain stable comfort conditions.

WFE electronic models provide the additional benefit of fully automatic control over the heat output level. Depending on the heat requirements of the room, output is adjusted automatically between 1kW, 2kW and 3kW in order to maximise performance, comfort and economy.

Both models are available in a choice of modern or traditional finishes, making them suitable for installation in a variety of environments.

WFC RANGE FEATURES

- Powerful 3kW maximum output.
- Choice of 1kW, 2kW or 3kW output settings.
- Accurate thermostatic control.
- Frost protection setting.
- Fan only facility for air circulation in summer.
- Fine mesh filter for incoming air to reduce dust particles in the indoor environment.
- Neon indicator showing mains connection.
- Choice of finishes.

WFE RANGE FEATURES

- Powerful 3kW maximum output.
- Automatic selection of output (1kW, 2kW or 3kW) based on temperature requirements.
- Electronic thermostat, providing highly accurate temperature control.
- Frost protection setting.
- Programmable 7 day electronic timer.
- Fan only facility for air circulation in summer.
- Fine mesh filter for incoming air to reduce dust particles in the indoor environment.
- Choice of finishes.



WF WALL MOUNTED FAN HEATERS

CONTROLS

WFC3NB/S

Variable thermostat, range 5°C to approximately 35°C.

Function selector switch for Off, Fan Only (low speed), Fan Only (high speed), 1kW, 2kW or 3kW outputs.

Neon indicator shows mains connection.

WFE3TNB/S

Variable thermostat, range 5°C to approximately 35°C.

On/Off switch – heat output is automatically selected (1kW, 2kW or 3kW) dependent on heat requirement.

7 day electronic timer. 10 preset weekly profiles with 8 programmable time periods per day, plus manual over ride facility.

CONSTRUCTION

Pressed steel front panel and base.

COLOUR/FINISH

WFC3NB/WFE3TNB: black stove enamelled body with cherry effect end panels.

WFC3NS/WFE3TNS: satin silver enamelled body with black painted end panels.

ELEMENTS

One 2000W and one 1000W helically wound fully strung open coil element.

FAN

Very low noise tangential fan. Airflow (max) 22 litres/sec.

SAFETY PROTECTION

Auto reset over temperature cut out.

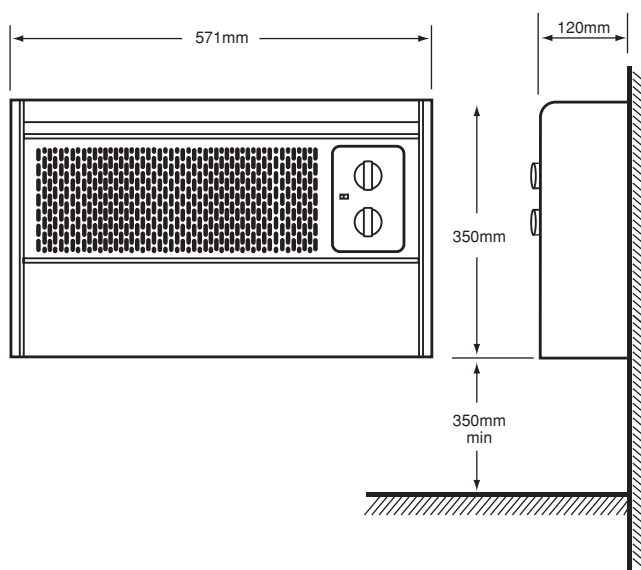
INSTALLATION

Keyhole mounting slots in rear panel.

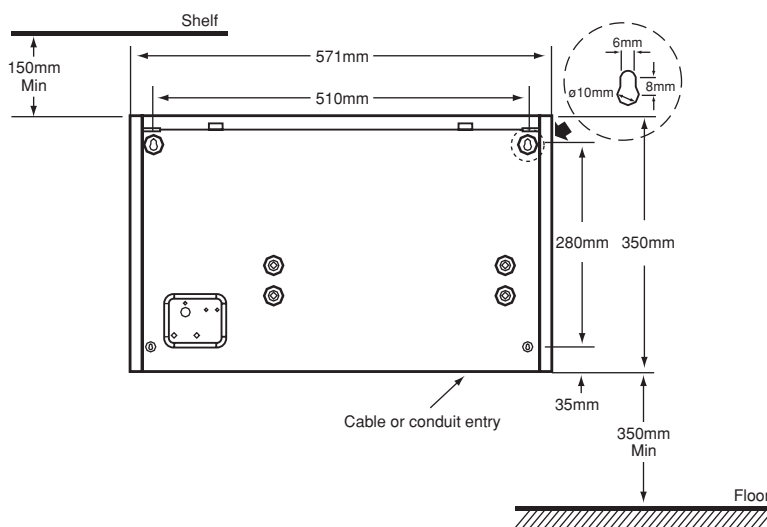
ELECTRICAL

Cable not supplied. Designed for flexible cable connection to fixed wiring of premises.

GENERAL DIMENSIONS



FIXING DIMENSIONS



MODEL	LOADING	LENGTH	HEIGHT	DEPTH	WEIGHT
WFC3NB WFC3NS	3.0kW	575mm	347mm	120mm	6.6kg
WFE3TNB WFE3TNS	3.0kW	575mm	347mm	120mm	6.6kg

After Sales Service

After sales service if required is absolutely no problem with Dimplex – we have a network of appointed Service Agents spread throughout the Country who are qualified and trained to repair or service any of our appliances. A list of Service Agents is available on request.

Bathrooms

Any electrical appliances installed in a bathroom should be fitted by a competent electrician in accordance with the current I.E.E. Regulations.

Portable heaters are NOT suitable for use in a bathroom.

Unless otherwise specified in this brochure, heaters that can be permanently fixed have to be so mounted that any controls cannot be reached by a person using a bath or shower. This restriction does not apply to Dimplex heated towel rails, which do not have controls.

Safety

Dimplex products are designed to comply with EN60335 the British Standard covering the safety requirements of electric heating appliances, and momentary contact with any part of the heater should not cause injury. However, in order to be effective, heaters or towel rails of any type do get hot especially (if applicable) around the air outlet grille. Therefore if aged or infirm persons, or young children, are likely to be left unsupervised in the vicinity of a heater we advise that precautions should be taken. We recommend that a guard is fitted around the heater, as is normal with many types of heating appliance in similar circumstances, to ensure contact with the heater is avoided and objects cannot be inserted into the product.

(Please see page 38 for details of accessory guards.)

Heating appliances should never be covered or positioned where objects may fall onto them.

Specifications

Dimplex policy is one of continuous improvement; the Company therefore reserves the right to alter specifications without notice. Although every care has been taken in the reproduction of product finishes in this brochure, the colour photographs should be taken only as a guide. The information contained in this brochure is correct at the time of printing. You are advised to consult your Dealer before purchasing.

Plugs

All portable appliances are supplied with a fitted plug.

British Electrotechnical Approvals Board BEAB Approved

The mark of the British Electrotechnical Approvals Board signifies that the appliance bearing it has been produced to the stringent safety requirements for domestic electrical appliances as laid down in EN60335.



CE Mark

Products carrying the CE mark comply with European safety standards and the European Standard for electro-magnetic compatibility.



Installation Guidance

This brochure is designed to assist you with your choice of Dimplex products and it is not intended as an installation guide.

For safety, products should only be installed by a competent person, in accordance with current regulations and the manufacturers instructions. If you require further advice concerning the installation of our products – especially where the installed dimensions may be critical to your choice and the location of the product – please contact our customer service department on 0870 727 0101 or consult your installer.

Please note that the dimensions contained within this brochure do not in all cases include clearances required around installed products for safe operation.

Useful Numbers

Tel: Customer Services: 0870 727 0101
Brochure line: 0870 727 0115

Fax: Customer Services: 0870 727 0102
Brochure line: 0870 727 0123

Email: customer.services@glendimplex.com

Website: www.dimplex.co.uk

Dimplex, Twin Sensor and Quartzray are all Registered Trade Marks in the United Kingdom.

Dimplex Optiflame fires are protected by patent Nos: GB2230335, AU621713, USA4965707, IE63651 and NZ232435.

All the Optiflame products shown in this brochure are protected by intellectual property rights owned by Glen Dimplex UK Limited or members of the Glen Dimplex Group on an international basis. The Glen Dimplex Group of Companies will actively protect these rights.

Dimplex®

Making life comfortable

Marketing Department, Millbrook House, Grange Drive, Hedge End, Southampton, SO30 2DF Telephone: 0870 077 7117 Fax: 0870 727 0109

Designed and produced by Carrington Caunter Associates Limited, Christchurch (Bournemouth), Telephone 01202 499612

Selected furniture supplied by BoConcept, Bournemouth / The Furnishing Place, Maidenhead.

Kitchens from Interfit Design Studio, New Milton, Hants. Locations courtesy of: Broomhill Conservatories, Christchurch, Dorset.
Coastal Bathrooms, New Milton, Hants. Everton Nurseries Ltd, Everton, Hants.