

this product information has been extracted from

the heat book

XL6 / XLS6 RANGE

Tel: 0845 600 5111

Fax: Customer Care: 01489 773053

Email: customer.services@glendimplex.com

Website: www.dimplex.co.uk

mini storage heaters

BUILDING REGULATIONS
PART L COMPLIANT

the XL6 & XLS6 range

Mini storage heaters are extra compact versions of our popular XL and XLS storage heaters bringing the benefits of off peak heating to areas which were traditionally too small for storage heaters such as bathrooms, cloakrooms and ensuites.

They are also ideal to top up existing heating in cold spots, improving the overall comfort and efficiency of the system.

Range features

- Designed specifically for use in wet areas such as bathrooms.
- Suitable for use in confined areas, for background heating, or to supplement an existing system.
- Available with either preset input control (XL6) or automatic input control (XLS6). Automatic model regulates its charge according to changing weather conditions.
- Input loading of just 850W.
- Drip proof construction (IPX2 rated).
- Secure wall fixing for safety.
- Feet may be fitted under carpet or on top of suitable floor covering.
- Simple assembly for flexible positioning and quick installation.
- Compatible with all off peak tariffs.
- Accessory towel rail (part no. STR6) and shelf (SHE6) available.

* XLS6 model.



Accessory towel rail

technical specifications

Construction Details

Galvanised finish sheet steel base mounted on pressed steel feet, supporting double skin front and outer panels.

Internal Details

1 Storage Core

Material: High density bonded magnetite bricks.

2 Heating Element

Type: Incoloy sheathed 850W.

3 Thermal Insulation

Type (a) Front and Rear Panels – microporous silica.

Type (b) Top and Ends – resin free mineral wool.

Type (c) Base – calcium silicate slab.

4 Supply Connection

Located at front right hand end of base.

Cable entry bush and cable clips allow neat supply cable entry from either side of heater.

5 Assembly

Remove one piece grille/front panel assembly then front inner skin. Remove internal packing and element, position rear layer of bricks, heating element, and front layer of bricks.

Controls

1 Charge Controller – XL

Type: Bi-metal factory pre-set for fully charged condition.

2 Thermal Safety Device

Type: Bi-metal – manual reset.

IP Rating

Drip-proof IPX2.

Packing

1 Case Assembly

Containing assembled heater case and heating element. Packed in single carton.

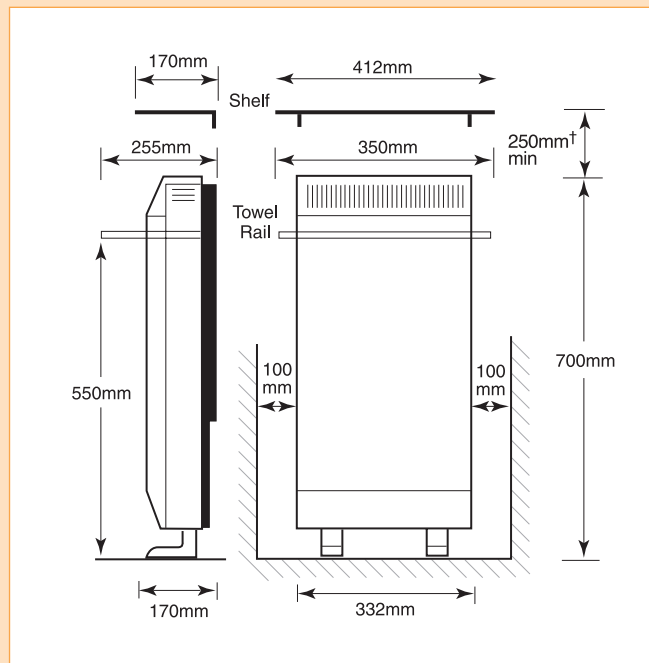
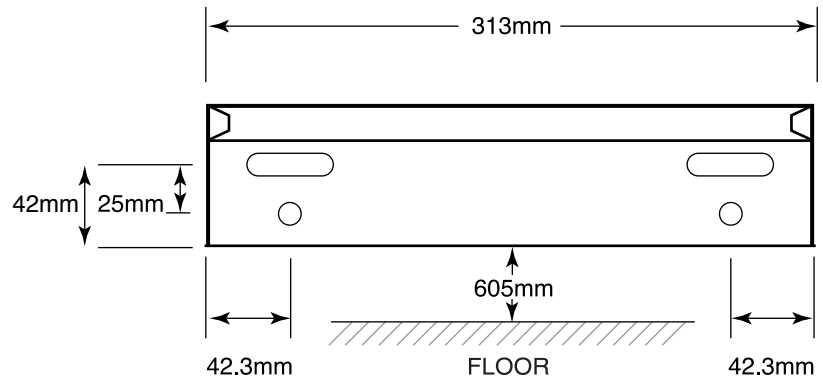
2 Storage Bricks

Supplied, 2 bricks per pack. Approx brick weight 7.5kg each.

Finish

Willow White top, sides and front panel.

Wall Bracket Fixing



† When using Dimplex shelves a clearance of 150mm must be maintained.

A clearance of 75mm must be maintained between the heater surface and any curtains.

Model	XL6, XLS6
Performance	
Input Rating	0.85kW
Charge Acceptance 7 hr	5.95kWh
Height	700mm
Width	332mm
Depth	170mm
Height above floor	88mm
Weight without bricks	11kg
Weight with bricks	41kg

After Sales Service

After sales service if required is absolutely no problem with Dimplex – we have a network of appointed Service Agents spread throughout the Country who are qualified and trained to repair or service any of our appliances.

Bathrooms

Any electrical appliances installed in a bathroom should be fitted by a competent electrician in accordance with the current I.E.E. Regulations.

Portable heaters are NOT suitable for use in a bathroom.

Unless otherwise specified in this brochure, heaters that can be permanently fixed have to be so mounted that any controls cannot be reached by a person using a bath or shower. This restriction does not apply to Dimplex heated towel rails, which do not have controls.

Safety

Dimplex products are designed to comply with EN60335 the British Standard covering the safety requirements of electric heating appliances, and momentary contact with any part of the heater should not cause injury. However, in order to be effective, heaters or towel rails of any type do get hot especially (if applicable) around the air outlet grille. Therefore if aged or infirm persons, or young children, are likely to be left unsupervised in the vicinity of a heater we advise that precautions should be taken. We recommend that a guard is fitted around the heater, as is normal with many types of heating appliance in similar circumstances, to ensure contact with the heater is avoided and objects cannot be inserted into the product.

(Please see page 36 for details of accessory guards.)

Heating appliances should never be covered or positioned where objects may fall onto them.

Specifications

Dimplex policy is one of continuous improvement; the Company therefore reserves the right to alter specifications without notice. Although every care has been taken in the reproduction of product finishes in this brochure, the colour photographs should be taken only as a guide. The information contained in this brochure is correct at the time of printing. You are advised to consult your dealer before purchasing.

Plugs

All portable appliances are supplied with a fitted plug.

British Electrotechnical Approvals Board BEAB Approved



The mark of the British Electrotechnical Approvals Board signifies that the appliance bearing it has been produced to the stringent safety requirements for domestic electrical appliances as laid down in EN60335.

CE Mark



Products carrying the CE mark comply with European safety standards and the European Standard for electro-magnetic compatibility.

Installation Guidance

This brochure is designed to assist you with your choice of Dimplex products and it is not intended as an installation guide.

For safety, products should only be installed by a competent person, in accordance with current regulations and the manufacturers instructions. If you require further advice concerning the installation of our products – especially where the installed dimensions may be critical to your choice and the location of the product – please contact our Customer Care on 0845 600 5111 or consult your installer.

Please note that the dimensions contained within this brochure do not in all cases include clearances required around installed products for safe operation.

Useful Numbers


Tel: 0845 600 5111
Fax: Customer Care: 01489 773053
Brochure line: 01489 773063
Main Reception: 01489 773050
Email: customer.services@glendimplex.com
Websites: www.dimplex.co.uk
www.dimplex-resource.co.uk



© Glen Dimplex UK Limited

All rights reserved. Material contained in this publication may not be reproduced in whole or in part, without prior permission in writing from Glen Dimplex UK Limited.

All Optiflame fires are protected by patent nos GB2230335, AU621713, USA4965707, IE63651 and NZ232435.

Printed on  accredited paper (from sustainable sources).

Dimplex
Making life comfortable

Glen Dimplex UK Limited, Millbrook House, Grange Drive, Hedge End, Southampton, SO30 2DF

For Northern Ireland please contact – Glen Dimplex N.I. Limited, Unit No. 24, Seagoe Industrial Estate, Portadown, Craigavon, Co. Armagh, BT63 5TH. Telephone: 02838 337317

Designed and produced by Carrington Caunter Associates Limited, Christchurch (Bournemouth). Telephone 01202 499612

D1267/0207