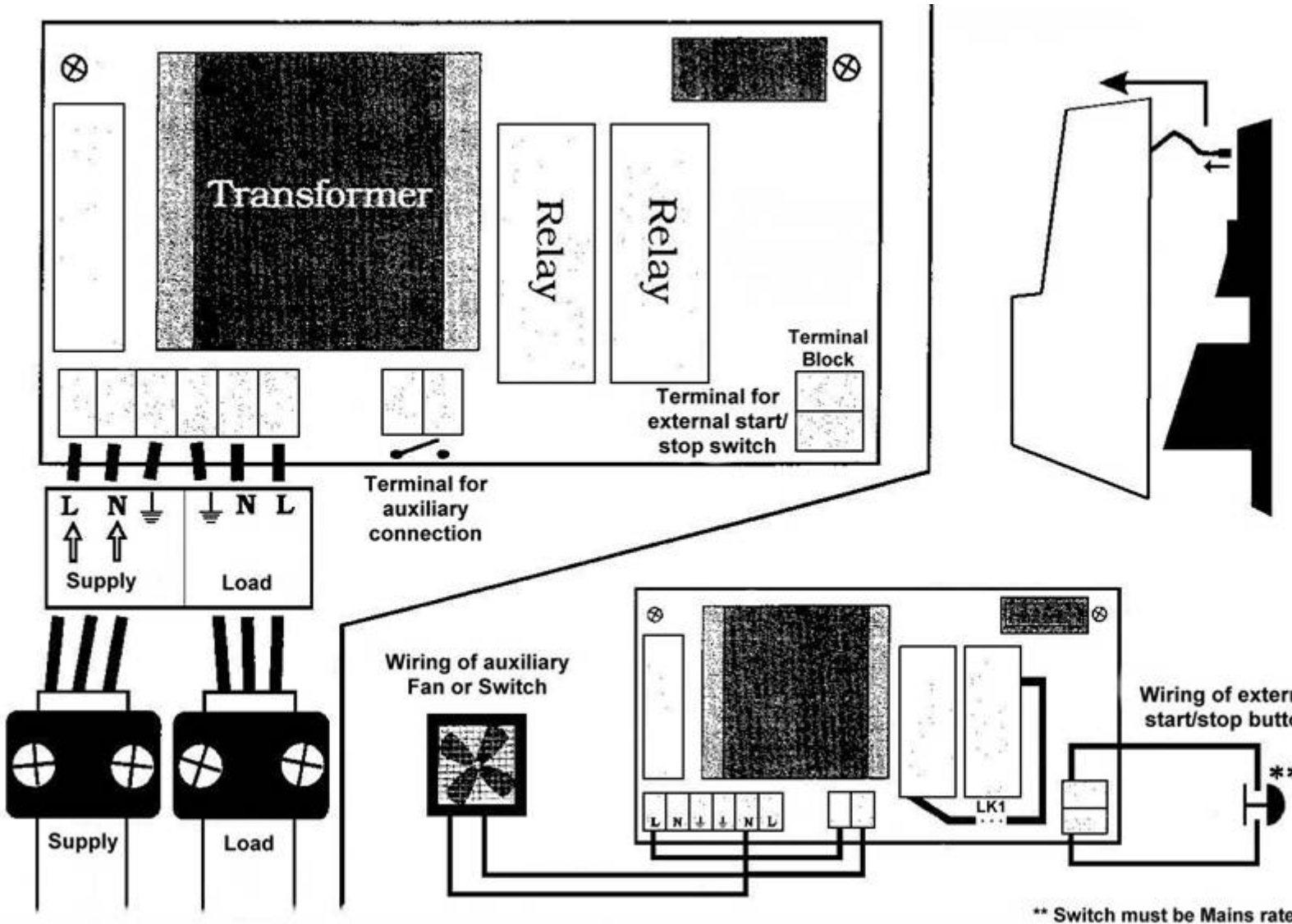


PRODUCT DATASHEET

ET30 TIMER METER



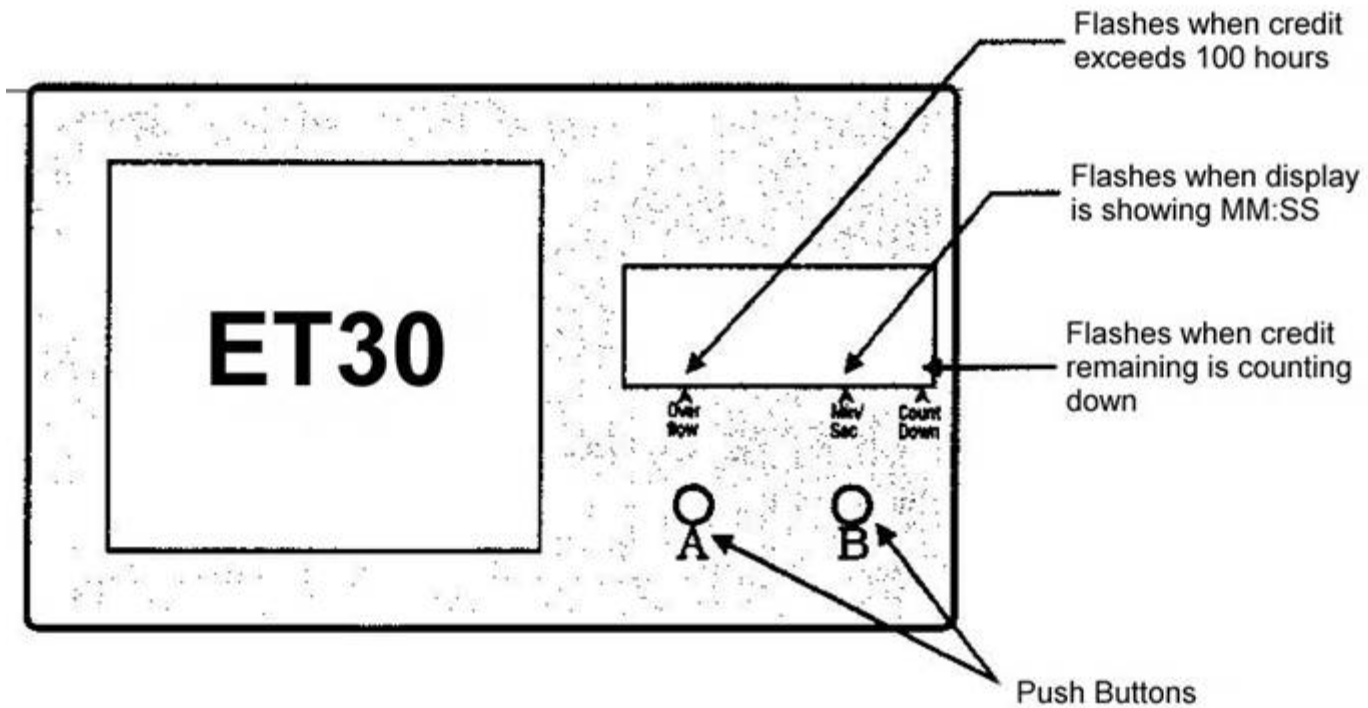
Installation

1. Unlock the front cover of the meter and lift upwards and slightly away from the wall bracket. Unplug the main PCB 'fly' lead from the power supply PCB.
2. The meter should be mounted on a vertical flat surface. Mark position of mounting holes using the wall bracket as a template. Use a 7mm masonry drill bit with rawplugs and 38mm screws or a 3.5mm wood drill bit and 15mm screws depending on the surface on which the meter is to be fixed. Fit the top two screws to the wall leaving the

head of the screw approximately 7mm from the surface. Hang the wall bracket on the wall and tighten the screws. Fix the bottom of the wall bracket to the wall using the two remaining screws.

3. The meter can either be connected to the supply via a cable fed through the hole at the bottom left hand side of the wall bracket or through the back of the meter. Connect the cables to the terminal block as shown. Ensure the two cables are secured underneath the cable clamps*.
4. The flying lead from the main p.c.b can now be connected to the power supply p.c.b. The front cover will now fit onto the wall bracket and drop down slightly where it can be locked into place.

IMPORTANT: THE INPUT MUST BE PROTECTED BY A FUSE RELEVANT TO THE LOAD



Switch on power

On power up the meter will briefly show 'Pr.6.x' then the credit remaining on the meter.

To operate meter

Insert coin/token. The display will briefly show 'Coin'. The display will then show the remaining credit. If the credit is greater than one hour it will be displayed in hours & minutes, e.g.; 2 hours will be displayed as '02:00'. If the credit is less than one hour it will be displayed in minutes & seconds, e.g.; 40 minutes will be displayed as '40:00' and an indicator will flash on the display to show this.

Collector functions

Resettable Money (Token) Counter

When the coin box becomes full, the message `COLL' (collect) is displayed.

Upon removal of the coin box the display will automatically show the resettable money counter. This will show how much money has been inserted into the meter since the last collection.

When the coin box is reinserted, the money counter will automatically zero before displaying the remaining credit. Note: To prevent the money counter from zeroing, insert the coin box with `B' pressed.

Service Mode

To access service mode remove the coin box, press and release switch `B' until the display changes to 'St . 1 '.

The service mode consists of 10 settings:-

01	Credit per coin/token	(HH.MM.SS)
02	Credit per coin/token	(HH.MM.SS)
03	Total money	(Read only)
04	Total credit	(Read only)
05	Pre-start	(MM.SS)
06	Run-on	(MM:SS)
07	Pre-end -	(MM.SS)
08	Maximum Credit	(HH.MM.SS)
09	Totalise value	(£'s & Pence)
10	Totalise credit value	(HH:MM)

Press and release `B' to step to the desired setting number.

When the required number is showing on the display press and release `A' to display the current setting. Press and release `A' to select the digit to be changed then press and release `B' to alter that digit.

Guarantee

Your meter is guaranteed to be replaced should any fault develop during the first twelve months.

A badly handled or transit damaged meter could develop a fault during the first few weeks.

The owner should check more closely during this period.