

OFC, OFX & MK1 RANGES

this product information has been extracted from

theheatingbook



Tel: Customer Services: 0870 727 0101

Fax: Customer Services: 0870 727 0102

Email: customer.services@glendimplex.com **Website:** www.dimplex.co.uk

Millbrook House, Grange Drive, Hedge End, Southampton SO30 2DF Tel: 0870 077 7117 Fax: 0870 727 0109



Mk1 Model C412



Model OFC1507

Oil filled radiators

OFX/MK1 ranges

Dimplex oil filled panel radiators are suitable for both domestic and commercial premises, providing a balance of convected and radiant heat, just like a conventional radiator, but with the added advantage of 'plug-in' portability.

With a totally enclosed heating element, the design is very safe, reliable and does not dry the air like some convection or radiant heaters.

OFX/MK1 RANGES FEATURE

- Thermostatic control of room temperature.
- Safe, reliable and requires little or no maintenance.
- Ideal for background or full heating.
- OFX models also available with 24-hour timer.
- Supplied with fittings for both floor standing and wall mounting.
- Supplied with cable and fitted plug.

Oil filled radiators

NEW OFC range

This new range of oil filled column radiators offers the perfect solution to portable effective heating for both domestic and commercial premises.

They are strong, robust and durable with smooth castors to enable easy movement about the room or from room to room as required.

Each heater has thermostatic control and a choice of heat setting giving greater economy. An integral humidifier is also discreetly concealed within the body of the heater - providing you with the option of adding water to minimise a dry atmosphere.

OFC RANGE FEATURES

- Outputs from 1.2 to 2kW.
- Thermostatically controlled with frost protection.
- Choice of heat settings.
- Neon indicator.
- Cord storage.
- Safety cut-out.
- Supplied with castors, cable and fitted plug.
- Maintenance free design, sealed for life.
- Integral humidifier.
- OFC2009Ti incorporates an electronic 24-hour timer.
- 3 year guarantee.

OFX & MK1 OIL FILLED RADIATORS

OFX THERMOSTATIC CONTROL RANGE

An adjustable energy regulator thermostat is fitted to each model which is sensitive to panel temperature. The control dial has nine graduated heat settings. A neon pilot light indicates when the appliance is connected to the mains supply.

TIMER

TI Models available with 24-hour built-in timer which can be set to switch the heater On/Off in any 15 minute periods.

MK1 THERMOSTATIC CONTROL RANGE

A room temperature thermostat is fitted to each model which automatically responds to the air temperature of the room, not the panel temperature, to provide a fine degree of control and ensure economical operation.

COLOUR/FINISH

Willow White stove enamel.

OIL

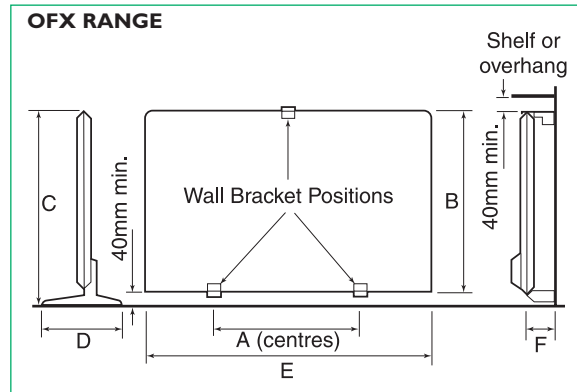
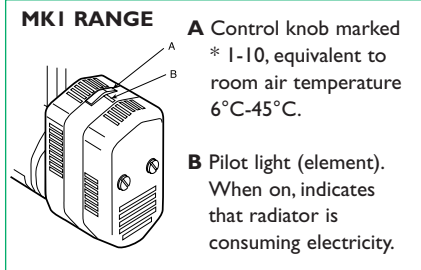
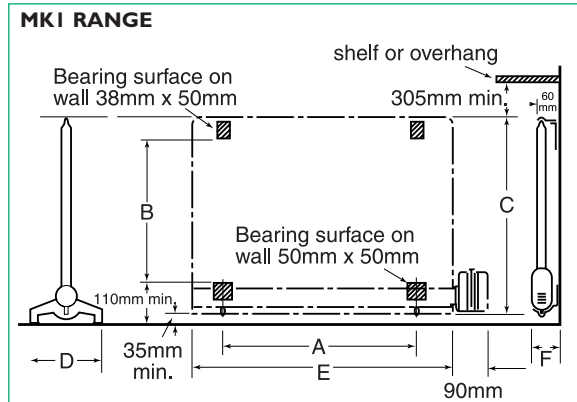
Permanently sealed. Under normal operating conditions will never need changing or re-filling.

ACCESSORIES – MK1 RANGE

CASTOR WHEELS – Ball type, set of four, Part No. RC0291. Castor wheels, plastic, set of four, Part No. RC9000.

MODEL NO.	LOADING	A	B	C†	D	E	F
B48	0.75kW	405mm	527mm	659mm	220mm	570mm	83mm
C412	1.0kW	675mm	527mm	659mm	220mm	870mm	83mm
D416	1.5kW	940mm	527mm	659mm	220mm	1105mm	83mm
E420	2.0kW	1208mm	527mm	659mm	220mm	1373mm	83mm
OFX075,OFX075/TI*	0.75kW	393mm	478mm	500mm	230mm	741mm	70mm
OFX100,OFX100/TI*	1.0kW	506mm	563mm	586mm	230mm	854mm	70mm
OFX150,OFX150/TI*	1.5kW	738mm	648mm	670mm	230mm	1084mm	70mm

* With built-in programmable 24 hour timer. † For height when freestanding add 35mm.



OFC OIL FILLED RADIATORS

CONTROLS

All models are provided with thermostatic control, a choice of heat settings, integral humidifier and neon indicator.

24-HOUR PROGRAMMABLE TIMER

Model OFC2009Ti incorporates a 24-hour electronic timer. This enables daily heating needs to be programmed in advance. A manual override enables the heater to provide instant heat during an "off" period without affecting the pre-set programme.

COLOUR/FINISH

Light grey.

CABLE PLUG

Each model is supplied with cable and fitted 13 amp plug.

SAFETY PROTECTION

Fitted with an auto reset safety cut out.

DIMENSIONS AND LOADINGS

	LOADING	THERMOSTAT	TIMER	NO. OF FINS	HEIGHT	WIDTH	DEPTH	WEIGHT inc. foot bracket
OFC1205	1.2kW	✓	✗	5	635mm	340mm	240mm	10kg
OFC1507	1.5kW	✓	✗	7	635mm	430mm	240mm	13kg
OFC2009	2.0kW	✓	✗	9	635mm	520mm	240mm	16kg
OFC2009Ti	2.0kW	✓	✓	9	635mm	520mm	240mm	16kg

After Sales Service

After sales service if required is absolutely no problem with Dimplex – we have a network of appointed Service Agents spread throughout the Country who are qualified and trained to repair or service any of our appliances. A list of Service Agents is available on request.

Bathrooms

Any electrical appliances installed in a bathroom should be fitted by a competent electrician in accordance with the current I.E.E. Regulations.

Portable heaters are NOT suitable for use in a bathroom.

Unless otherwise specified in this brochure, heaters that can be permanently fixed have to be so mounted that any controls cannot be reached by a person using a bath or shower. This restriction does not apply to Dimplex heated towel rails, which do not have controls.

Safety

Dimplex products are designed to comply with EN60335 the British Standard covering the safety requirements of electric heating appliances, and momentary contact with any part of the heater should not cause injury. However, in order to be effective, heaters or towel rails of any type do get hot especially (if applicable) around the air outlet grille. Therefore if aged or infirm persons, or young children, are likely to be left unsupervised in the vicinity of a heater we advise that precautions should be taken. We recommend that a guard is fitted around the heater, as is normal with many types of heating appliance in similar circumstances, to ensure contact with the heater is avoided and objects cannot be inserted into the product.

(Please see page 38 for details of accessory guards.)

Heating appliances should never be covered or positioned where objects may fall onto them.

Specifications

Dimplex policy is one of continuous improvement; the Company therefore reserves the right to alter specifications without notice. Although every care has been taken in the reproduction of product finishes in this brochure, the colour photographs should be taken only as a guide. The information contained in this brochure is correct at the time of printing. You are advised to consult your Dealer before purchasing.

Plugs

All portable appliances are supplied with a fitted plug.

British Electrotechnical Approvals Board BEAB Approved

The mark of the British Electrotechnical Approvals Board signifies that the appliance bearing it has been produced to the stringent safety requirements for domestic electrical appliances as laid down in EN60335.



CE Mark

Products carrying the CE mark comply with European safety standards and the European Standard for electro-magnetic compatibility.



Installation Guidance

This brochure is designed to assist you with your choice of Dimplex products and it is not intended as an installation guide.

For safety, products should only be installed by a competent person, in accordance with current regulations and the manufacturers instructions. If you require further advice concerning the installation of our products – especially where the installed dimensions may be critical to your choice and the location of the product – please contact our customer service department on 0870 727 0101 or consult your installer.

Please note that the dimensions contained within this brochure do not in all cases include clearances required around installed products for safe operation.

Useful Numbers

Tel: Customer Services: 0870 727 0101
Brochure line: 0870 727 0115

Fax: Customer Services: 0870 727 0102
Brochure line: 0870 727 0123

Email: customer.services@glendimplex.com

Website: www.dimplex.co.uk

Dimplex, Twin Sensor and Quartzray are all Registered Trade Marks in the United Kingdom.

Dimplex Optiflame fires are protected by patent Nos: GB2230335, AU621713, USA4965707, IE63651 and NZ232435.

All the Optiflame products shown in this brochure are protected by intellectual property rights owned by Glen Dimplex UK Limited or members of the Glen Dimplex Group on an international basis. The Glen Dimplex Group of Companies will actively protect these rights.

Dimplex®

Making life comfortable

Marketing Department, Millbrook House, Grange Drive, Hedge End, Southampton, SO30 2DF Telephone: 0870 077 7117 Fax: 0870 727 0109

Designed and produced by Carrington Caunter Associates Limited, Christchurch (Bournemouth), Telephone 01202 499612

Selected furniture supplied by BoConcept, Bournemouth / The Furnishing Place, Maidenhead.

Kitchens from Interfit Design Studio, New Milton, Hants. Locations courtesy of: Broomhill Conservatories, Christchurch, Dorset.
Coastal Bathrooms, New Milton, Hants. Everton Nurseries Ltd, Everton, Hants.