

this product information has been extracted from

the heat book

CXL / CXLS RANGE

Tel: 0845 600 5111

Fax: Customer Care: 01489 773053

Email: customer.services@glendimplex.com

Website: www.dimplex.co.uk

combination storage & convector heaters

BUILDING REGULATIONS
PART L COMPLIANT†

the CXL/CXLS ranges

This range offers many of the benefits of our popular manual and automatic storage heaters but with the addition of a built in top-up convector heater which provides an independent heat source to supplement stored heat in severe weather, or as the sole heating if heat is required unexpectedly – for example in spring or autumn.

CXLS models incorporate the Dimplex Twin Sensor®* automatic charging system, ensuring the correct charge is taken regardless of changing weather conditions without the need for user adjustments, and complying with Building Regulations Part L1, which requires all electric storage heaters installed in new build to be fitted with automatic charge controls. By providing two heaters in one compact case, the CXL/CXLS saves space, and its smooth curved styling complements XL storage heaters and PLX panel heaters.

The top up convector requires its own electrical supply, has full thermostatic control and frost protection facility.

Range features

- Provides a continuous source of warmth, primarily from cheap off peak electricity.
- Convector gives completely silent top-up heating.
- Convector thermostat can be set to maintain constant room temperatures and automatically switch on as necessary.
- CXL range storage heater controls and components based on market leading XL range, including reliable manual input control and room temperature boost for optimum use of stored heat.
- CXLS range storage heater controls and components based on XLS range, including Twin Sensor® automatic input control and room temperature boost for optimum use of stored heat.
- Conveniently positioned convector controls on the front panel.
- Lower convector loadings selectable on installation.
- Secure wall fixing for safety.
- Feet may be fitted under carpet or on top of suitable floor covering.
- Simple assembly for flexible positioning and quick installation.
- See page 36 for accessories.



Model CXLS18

* UK Patent No: GB2265454 † CXLS range.

technical specifications

Internal Details – Storage Heater

1 Storage Core

Material: High density bonded magnetite bricks.

2 Heating Element

Type: Incoloy sheathed in units of 850W.

3 Thermal Insulation

Type (a) Front and Rear Panels – microporous silica.

Type (b) Top and Ends – resin free mineral wool.

Type (c) Base – calcium silicate slab.

4 Supply Connection

Located at front right hand end of base – accessible by removal of front panel assembly. Hidden cable support straps at rear of heater allow neat supply cable connection from either side of heater.

5 Assembly

Remove front panel assembly then front inner skin. Remove internal packing containing elements, position rear layer of bricks, heating elements, and front layer of bricks.

Storage Controls

The control knobs are positioned on the sloping rear top panel of the heater, and are therefore out of sight of young children. The knobs incorporate a cross bar and raised pointer for ease of operation.

1 Charge Controller – CXL

Type: Bi-metal, adjustable from zero charge to fully charged condition

2 Charge Controller – CXLS

Type: Hydraulic close differential room temperature sensing thermostat with external sensor.

3 Thermal Safety Device

Type: Bi-metal – manual reset.

4 Damper Control

Type: Bi-metal strip, selection variable from early to late or zero boost.

Internal Details – Convector Heater

1 Element

Type: Stitched Ribbon.
Material: Nickel/Chrome/Iron.
Element can be de-rated by 50% on installation.

2 Supply Connection

Located at front left end of heater base. Cable entry at left hand end. Cable support straps at rear of heater allows neat supply connection from either side of heater.

Convector Controls

Located to right of convector air outlet grille.

(A) Room Temperature Thermostat

Type: Hydraulic, adjustable.

(B) Safety Cut-Out

Type: Bi-metallic, disconnect supply to reset type.

(C) ON/OFF Switch

Type: Single pole incorporating neon which illuminates when switch is in ON position.

(D) Neon

An additional neon illuminates when convector heater is drawing current.

(E) Wall fixing bracket

Please refer to diagram on page 29 for wall fixing detail.

Finish

Willow White top, sides and front panel.
Contrasting Birch Grey grille, rear heat shield and wall spacer.

Construction Details

Galvanised finish sheet steel base, mounted on steel feet, supporting double skin front and outer panels. One piece front panel/grille assembly and front inner skin remove for brick loading.

Packing

1 Case Assembly and Weights

Containing assembled heater case and heating elements. Packed in single carton.

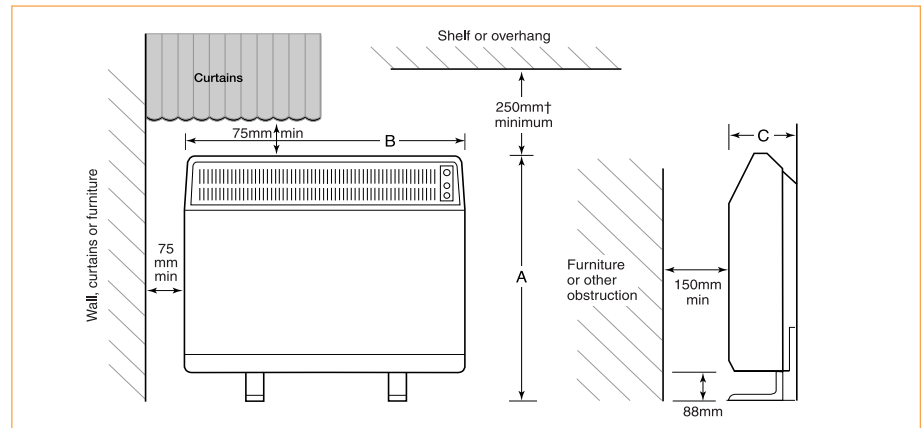
| Model | Weight without bricks | Weight with bricks | No. of bricks |
|--------------|-----------------------|--------------------|---------------|
| CXL12/CXLS12 | 19.5kg | 77kg | 8 |
| CXL18/CXLS18 | 24kg | 111kg | 12 |
| CXL24/CXLS24 | 29.5kg | 146kg | 16 |

2 Storage Bricks

Supplied, 2 bricks per pack. Approx brick weight 7.5kg each. (See above for weight of heater with and without bricks).

Shelf

An attractive shelf is available in 3 lengths. (See page 28 for photograph).



† When using Dimplex shelves a clearance of 150mm must be maintained.

The wall fixing arrangement is adjustable to accommodate for skirtings up to 150mm high and 25mm deep.

| Model | CXL12/CXLS12 | CXL18/CXLS18 | CXL24/CXLS24 |
|---|--------------|--------------|--------------|
| Storage Heater performance | | | |
| Input Rating | 1.7kW | 2.55kW | 3.4k |
| Charge Acceptance 7hr | 11.9kWh | 17.85kWh | 23.8kWh |
| Convector Heater performance | | | |
| Maximum Output | 900W | 1450W | 2000W |
| Other outputs available (Set on installation)* | 450W | 450W, 1000W | 650W, 1350W |
| Height (A) | 706mm | 706mm | 706mm |
| Width (B) | 565mm | 793mm | 1021mm |
| Depth (C) | 193mm | 193mm | 193mm |
| Height above floor | 88mm | 88mm | 88mm |
| Installed Weight | 77kg | 111kg | 146kg |
| Shelf Model | SHE12 | SHE18 | SHE24 |

* Element can be de-rated by 50% on installation.

After Sales Service

After sales service if required is absolutely no problem with Dimplex – we have a network of appointed Service Agents spread throughout the Country who are qualified and trained to repair or service any of our appliances.

Bathrooms

Any electrical appliances installed in a bathroom should be fitted by a competent electrician in accordance with the current I.E.E. Regulations.

Portable heaters are NOT suitable for use in a bathroom.

Unless otherwise specified in this brochure, heaters that can be permanently fixed have to be so mounted that any controls cannot be reached by a person using a bath or shower. This restriction does not apply to Dimplex heated towel rails, which do not have controls.

Safety

Dimplex products are designed to comply with EN60335 the British Standard covering the safety requirements of electric heating appliances, and momentary contact with any part of the heater should not cause injury. However, in order to be effective, heaters or towel rails of any type do get hot especially (if applicable) around the air outlet grille. Therefore if aged or infirm persons, or young children, are likely to be left unsupervised in the vicinity of a heater we advise that precautions should be taken. We recommend that a guard is fitted around the heater, as is normal with many types of heating appliance in similar circumstances, to ensure contact with the heater is avoided and objects cannot be inserted into the product.

(Please see page 36 for details of accessory guards.)

Heating appliances should never be covered or positioned where objects may fall onto them.

Specifications

Dimplex policy is one of continuous improvement; the Company therefore reserves the right to alter specifications without notice. Although every care has been taken in the reproduction of product finishes in this brochure, the colour photographs should be taken only as a guide. The information contained in this brochure is correct at the time of printing. You are advised to consult your dealer before purchasing.

Plugs

All portable appliances are supplied with a fitted plug.

British Electrotechnical Approvals Board BEAB Approved



The mark of the British Electrotechnical Approvals Board signifies that the appliance bearing it has been produced to the stringent safety requirements for domestic electrical appliances as laid down in EN60335.

CE Mark



Products carrying the CE mark comply with European safety standards and the European Standard for electro-magnetic compatibility.

Installation Guidance

This brochure is designed to assist you with your choice of Dimplex products and it is not intended as an installation guide.

For safety, products should only be installed by a competent person, in accordance with current regulations and the manufacturers instructions. If you require further advice concerning the installation of our products – especially where the installed dimensions may be critical to your choice and the location of the product – please contact our Customer Care on 0845 600 5111 or consult your installer.

Please note that the dimensions contained within this brochure do not in all cases include clearances required around installed products for safe operation.

Useful Numbers


Tel: 0845 600 5111
Fax: Customer Care: 01489 773053
Brochure line: 01489 773063
Main Reception: 01489 773050
Email: customer.services@glendimplex.com
Websites: www.dimplex.co.uk
www.dimplex-resource.co.uk



© Glen Dimplex UK Limited

All rights reserved. Material contained in this publication may not be reproduced in whole or in part, without prior permission in writing from Glen Dimplex UK Limited.

All Optiflame fires are protected by patent nos GB2230335, AU621713, USA4965707, IE63651 and NZ232435.

Printed on  accredited paper (from sustainable sources).

Dimplex
Making life comfortable

Glen Dimplex UK Limited, Millbrook House, Grange Drive, Hedge End, Southampton, SO30 2DF

For Northern Ireland please contact – Glen Dimplex N.I. Limited, Unit No. 24, Seagoe Industrial Estate, Portadown, Craigavon, Co. Armagh, BT63 5TH. Telephone: 02838 337317

Designed and produced by Carrington Caunter Associates Limited, Christchurch (Bournemouth). Telephone 01202 499612

D1267/0207