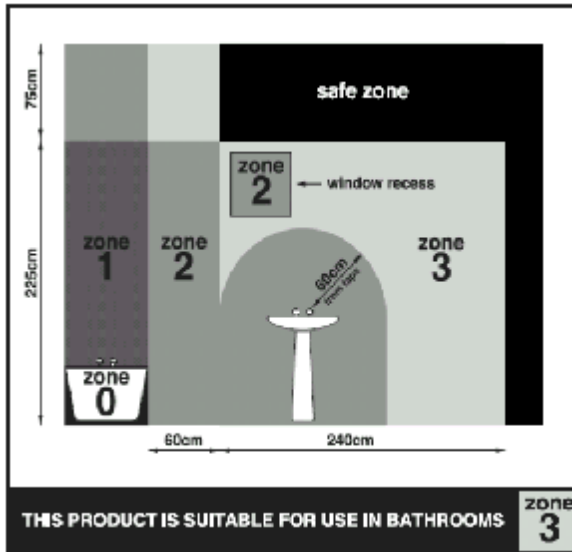


Cleaning:

- > Clean this heater only with a soft dry cloth
- > Do not use any chemical or abrasive cleaners.



Note:

This product is suitable for mounting in Zone 3 or the safe zone of a bathroom (or similar) only if a permanent connection to the mains supply is made in accordance with the requirements of the Building Regulations (including the Wiring Regulations).
If in doubt, consult a qualified electrician.

Eventually, you may want to replace this heater:

When your heater comes to the end of its life or you choose to update or upgrade it by replacing it, please do not dispose of it with your normal household waste, please recycle where facilities exist. When you need to dispose of this heater, check with your retailer or local authority for suitable options. New regulations will encourage the recycling of Waste from Electrical and Electronic Equipment (European "WEEE Directive" effective August 2005).



If you experience problems:

If your heater is defective or develops a fault, please return it to the place where you bought it. You can call our Helpline for advice. The Helpline will gladly give advice on any aspect of any Eterna Lighting product but may not be able to give specific instructions regarding individual installations.
If in doubt, consult a qualified electrician.

Help line:

Tel: 01933 673 144 Fax: 01933 678 083 Email: sales@eterna-lighting.co.uk
For answers to frequently asked questions (FAQs) and other information visit our web-site
www.eterna-lighting.co.uk

IMPORTANT! **Safety and Installation instructions**

Wall mounting down-flow fan heater

Model(s)
DFH2KW

Pack contents:

Fan heater	1
Fixing pack	1

**PLEASE READ THESE INSTRUCTIONS BEFORE
INSTALLING YOUR NEW HEATER**

PLEASE RETAIN FOR FUTURE REFERENCE

Read this first:

- > This heater must be installed in accordance with the Building Regulations. These may be obtained from HMSO or viewed and downloaded from www.communities.gov.uk following the link for Building Regulations.
- > If in any doubt, consult a qualified electrician.
- > This heater is designed for wall mounting and must be used with the warm air vent facing downwards. This heater should not be used in any other orientation and should not be used as a free standing portable appliance.
- > This heater must be installed so that switches and other controls (except the pull cord) cannot be touched by a person in the bath or shower.
- > The mounting position should allow the free movement of air around the heater. Obstructing the air flow could result in overheating.
- > Switch off the mains before commencing installation and remove the appropriate circuit fuse.
- > Suitable for indoor use only.
- > This product is suitable for installation on surfaces with normal flammability e.g. wood, plasterboard, masonry. It is not suitable for use on highly flammable surfaces (e.g. polystyrene, textiles).
- > Before making fixing hole(s), check that there are no obstructions hidden beneath the mounting surface such as pipes or cables.
- > The chosen location of your new heater should allow for the product to be securely mounted (e.g. to a firm wall) and safely connected to the mains supply.
- > Do not site the heater directly beneath a mains outlet socket.
- > If the location of your new heater requires the provision of a new electrical supply, the supply must conform with the requirements of the Building Regulations.
- > This product is designed for permanent connection to fixed wiring; this should be to a suitable ring circuit (protected with a 10 Amp MCB or fuse) or a fused spur (with a 10 Amp fuse) via a fused connection unit. The supply must incorporate a switch or other means of disconnection.
- > Make connections to the electrical supply in accordance with the following code:
 - Live - Brown or Red
 - Neutral - Blue or Black

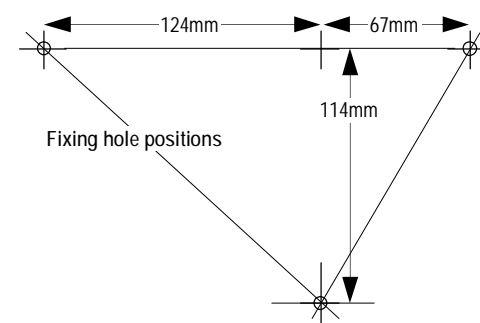
- > This product is double insulated, do not connect any part to Earth.
- > **WARNING**—To avoid overheating, do not cover the heater.
- > As you are making a fixed connection to the mains, you are advised at every stage of your installation to double-check any electrical connections you have made. After you have completed your installation there are electrical tests that should be carried out: these tests are specified in the Wiring Regulations (BS7671) referred to in the Building Regulations. If in doubt, consult a qualified electrician.

Installation:

Single heater

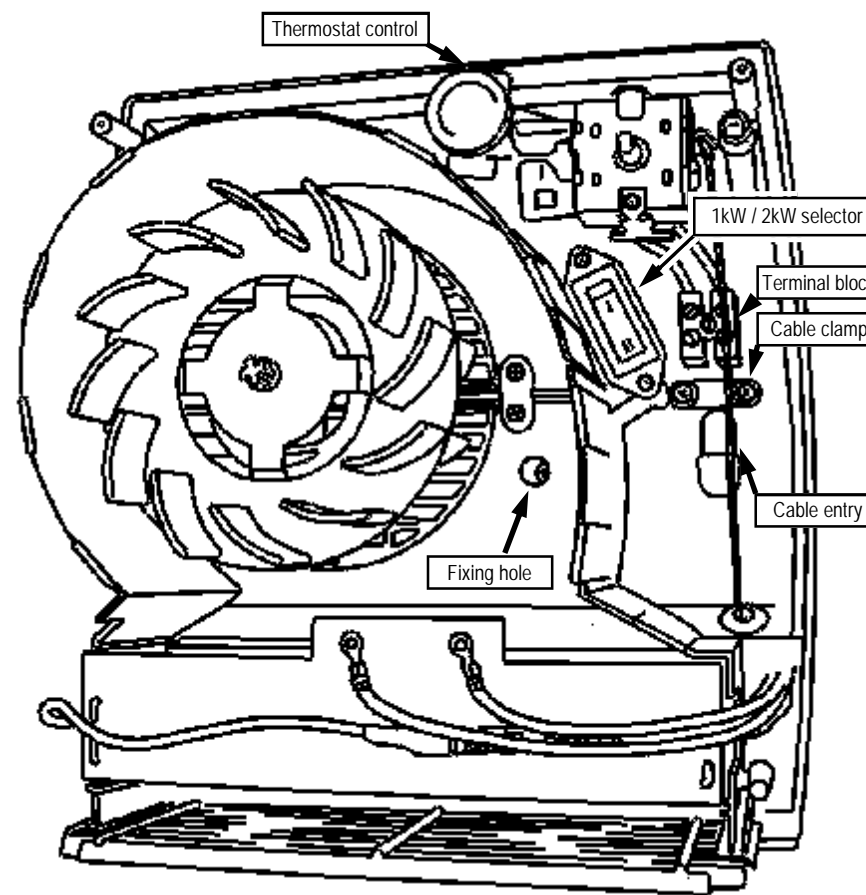
- 1) Choose the location for your new heater giving consideration to all of the points above.
- 2) Loosen the two screws at the top of the front of the heater and lift off the front cover.
- 3) Using the guide diagram opposite, mark the position of the top two fixing holes.
- 4) Use a spirit level to check holes are level.
- 5) Make the top two fixing holes using a No.8 / 5mm drill bit.
- 6) Insert the plastic plugs and screws leaving approximately 3mm of the shank protruding..
- 7) Hang the heater on the screws. If the fixings supplied are not suitable for your mounting surface, select suitable alternatives.
- 8) Mark the position of the third fixing hole using the heater as a template.
- 9) Remove the heater, make the fixing hole and insert the plastic plug.
- 10) Replace the heater adjusting the top two screws to make as tight a fit as possible.
- 11) Secure using the third fixing through the hole indicated opposite..
- 12) Remove the cable clamp from inside the heater.
- 13) Thread the supply cable through the hole in the rear of the case.
- 14) Make connections to the supply terminals according to the colour code (left). Ensure that there are no strands or whiskers protruding from the terminals.
- 15) Secure the cable under the cable clamp. Ensure that the cable is gripped firmly but take care not to over-tighten the screws.
- 16) Select the desired mode of operation using the switch i.e. I = 1kW fixed heat, II = 1kW fixed heat +

- 1kW variable thermostat controlled.
- 17) Set the thermostat to the mid position.
 - 18) Close and secure the front cover.
 - 19) Restore the power and switch on.



Adjustment

- 1) Switch off the main power and remove the fuse.
- 2) Remove the two screws on the front of the case and remove the front cover.
- 3) Select the desired mode of operation using the switch i.e. I = 1kW fixed heat, II = 1kW fixed heat + 1kW variable thermostat controlled.
- 4) Turn the thermostat control clockwise to increase the room temperature and anti-clockwise to decrease.
- 5) Close the front cover and secure using the two screws.



TH1-4FTD60-240 Tubular heater 060607PA

Safety markings:

IP21

