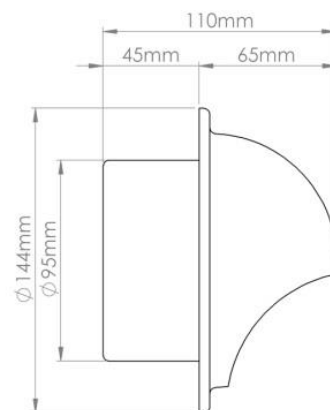
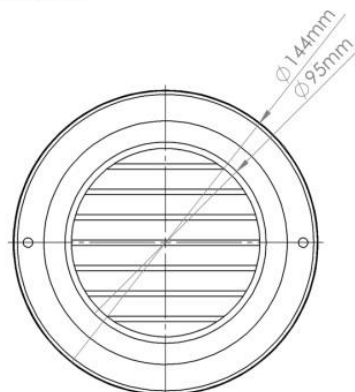


# PRODUCT DATA SHEET

## SS100

### STAINLESS STEEL BULL NOSE VENT WITH LOUVRES



## SPECIFICATION DETAILS

The SS100 100mm diameter Stainless Steel Bull Nose Vent with Louvres has a minimum free area of 5,613mm<sup>2</sup>.

The SS100 has a bull nose design to reduce low levels of wind pressure against the fan.

SS100 is manufactured in compliance with Domestic Plastic Ductwork Specification DW/154 and does meet UL94HB flammability standard.

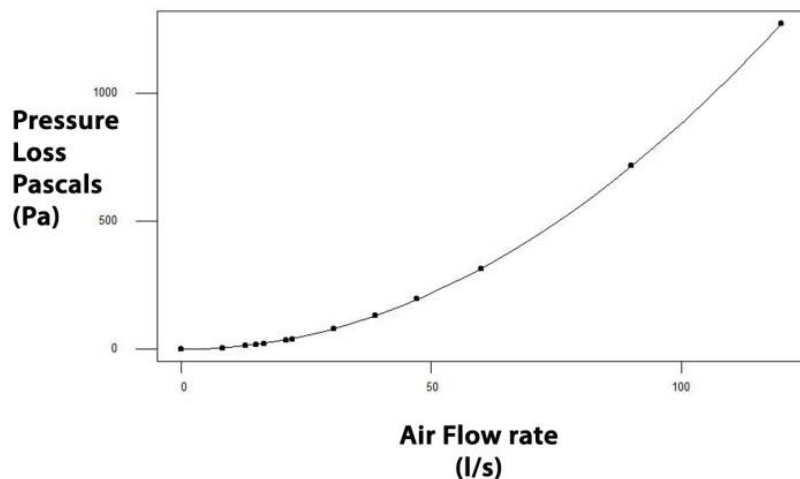
SS100 has been designed for use with Verplas System 100 Round.

<b>Manufacturer:</b>	Verplas Ltd
<b>Part Number:</b>	SS100
<b>Size:</b>	100mm Diameter
<b>For use with:</b>	Verplas System 100
<b>Box quantity:</b>	5
<b>Individual Weight:</b>	230g
<b>Colour:</b>	Silver

### MAX/MIN OPERATING TEMPERATURES

+ 60°C to - 15°C

## PERFORMANCE CURVE



AIRFLOW	RESISTANCE
8 l/s	6.40 pa
13 l/s	12.02 pa
21 l/s	35.46 pa
30 l/s	79.90 pa
60 l/s	319.43 pa
120 l/s	1306.36 pa

## Associated Ancillaries

