



Power Socket Outlets



The smooth modern lines of the Deco accessory plate will fit easily into traditional and contemporary designs alike.

All Deco 13A sockets are tested and approved to BS1363 offering assured quality and safety through our BSI Kitemark Licence KM10807.

13A UK Socket Outlets

Product Range

Finish Comparison



Antique Brass (AB)



Polished Brass (BR)



Polished Chrome (CH)



Satin Chrome (SC)



Satin Brass (SB)



Black Nickel (BN)



Pearl Nickel (PN)



Stainless Steel (SS)



Georgian Cast Brass (GCBR)

V1.0

13A UK Socket Outlets

Product Range

13A UK Socket Outlets

VP**035##	13A 1 Gang DP Switched Socket Outlet
VP**036##	13A 2 Gang DP Switched Socket Outlet (Twin Earth)
VP**037##	13A 2 Gang DP Switched Socket Outlet (Twin Earth, Clean Earth)

'Ingot' 13A UK Socket Outlets

VP**535##	'Ingot' 13A 1 Gang DP Switched Socket Outlet
VP**536##	'Ingot' 13A 2 Gang DP Switched Socket Outlet (Twin Earth)



VPCH035WH



VPSS036BK VPSS037BK



VPBN535BK



VPSC536WH

Errors & Omissions excluded. Specification is subject to change without notice. ** Denotes Plate Finish, ## Denotes Insert Colour

V1.0

Scolmore International Ltd, 1 Scolmore Park, Landsberg, Lichfield Road Ind. Estate, Tamworth, Staffordshire, B79 7XB

Telephone: 01827 63454

E-mail: sales@scolmore.com, technical@scolmore.com

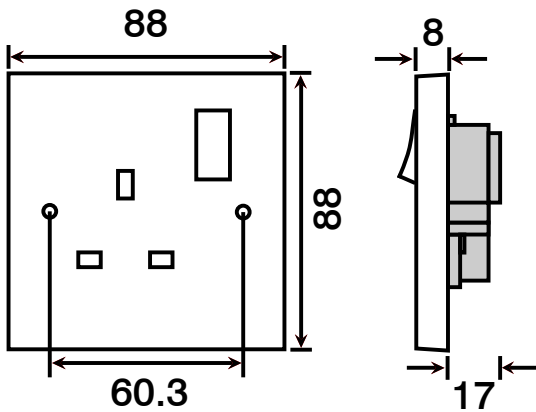
Facsimile: 01827 63362

Website: www.scolmore.com

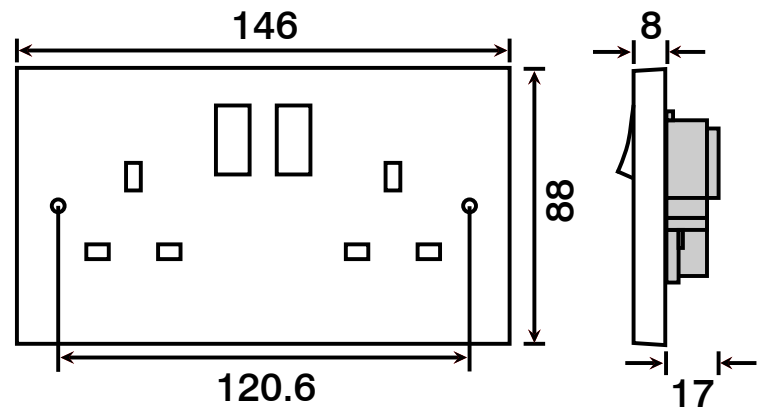
13A UK Socket Outlets

Product Dimensional Drawings (mm)

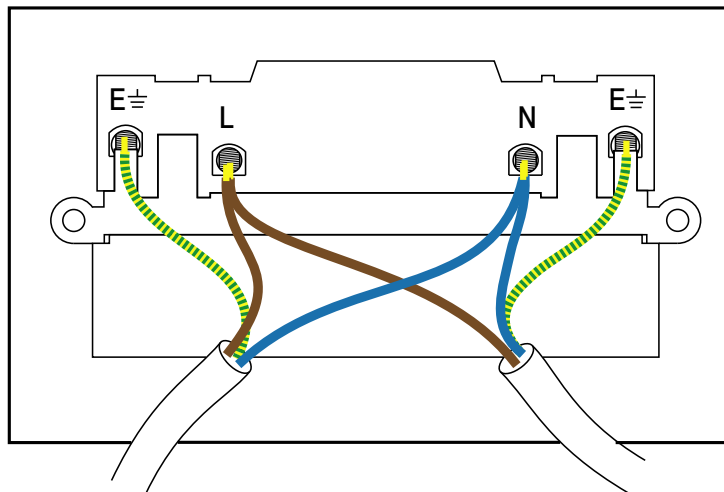
VP**035, 535



VP**036, 037, 536



Product Wiring Diagram



Errors & Omissions excluded. Specification is subject to change without notice. ** Denotes Plate Finish

13A UK Socket Outlets

Technical Specification

13A UK Socket Outlets

Material Composition	Front Plate: Stainless Steel
	Rear Housing: Urea
	Terminals: Brass
	Earth Strap: Mild Steel
	Terminal Screws: Steel & Yellow Passivated
	Silver “on-lay” Copper / Brass Contacts
Voltage	240V~ 50Hz
Current Rating	13A
Terminal Size	5mm ø
Torque Value	2.5Nm
Cable Size	4 x 2.5mm ²
Back Box Depth	25mm - 47mm
Switched	Yes
Double Pole	Yes
Twin Earth	(036, 037, 536)
Clean Earth	(037)
Warranty	10 Years
IP Rating	IP20
Operational Temperature	-5° to +40°C
Standards	The Low Voltage Directive 2006/95/EC BS 1363-2: 1995 + A4: 2012 (KM10807 Kitemark License)

Additional Information

Ensure that the mains supply is isolated before commencing installation and refer to the circuit diagram with the relevant product.

Bare earth cables must always be covered with appropriate sleeving and wired to the earth terminal.



DECLARATION OF CONFORMITY

1. *Issuer Name* Scolmore International Limited
2. *Issuer Address* 1 Scolmore Park, Landsberg,
Lichfield Road Industrial Estate,
Tamworth, Staffordshire, B79 7XB
3. *Object(s) of Declaration* Deco Range
- a. *Group* Sockets
- b. *Model No.* VP-035, VP-036, VP-535, VP-536
4. *The object of the declaration described above is in conformity with the requirements of the following Legislations:*
- | Document No | Title |
|-------------|-----------------------|
| 2006/95/EC | Low Voltage Directive |

5. *All products contained within the aforementioned comply with the relevant standards and requirements listed below.*

KM10807 Kitemark License
BS 1363-2: 1995 + A4: 2012

6. *I hereby declare that the equipment named above has been designed to comply with the relevant sections of the above referenced specifications. The unit complies with all applicable Essential Requirements of the Directives.*

In conjunction with the above all manufacture and process controls are in accordance with ISO 9001:2008

Signed, for and on behalf of: Scolmore International Limited

Steven Bettson BSc - Senior Technical Support Engineer

CE 15