



RLCND05

5w Reon LED Candle, Frosted, 20000hrs



Product Overview

The Reon range from Kosnic is a selected line of 20,000 hour, energy saving retrofit LED lamps. Reliable, affordable and easy to install, Reon LEDs surpass the high quality standards that home owners and professionals demand for lower cost applications.

Features

Save energy up to 85% compared with filament lamp.

Direct replacement of B15, B22, E14 or E27 lamp.

High lumen output.

Long life of 20,000h.

Instant start.

No UV output.

Mercury free.

Safety and Maintenance

Switch off supply and allow cooling before handling lamp.

Use in totally enclosed fittings will reduce lamp life.

Do not dispose of lamp in household waste.

Dispose of in appropriate section of local civic amenity site or recycling centre.

Specifications

	RLCND05B22-27-N ^[1]	RLCND05E14-27-N ^[1]	RLCND05E27-27-N ^[1]
	RLCND05B22-40-N ^[2]	RLCND05E14-40-N ^[2]	RLCND05E27-40-N ^[2]
	RLCND05B22-65-N ^[3]	RLCND05E14-65-N ^[3]	RLCND05E27-65-N ^[3]
Fitting	B22	E14	E27
Shape / Type	Candle	Candle	Candle
Optics Type	Frosted	Frosted	Frosted
Equivalent Wattage (w)	35 ^[1] 37 ^[2] 38 ^[3]	35 ^[1] 37 ^[2] 38 ^[3]	35 ^[1] 37 ^[2] 38 ^[3]
Nominal Power (W)	5	5	5
Total Lumens (lm)	400 ^[1] 420 ^[2] 440 ^[3]	400 ^[1] 420 ^[2] 440 ^[3]	400 ^[1] 420 ^[2] 440 ^[3]
Input Current (mA)	42	42	42
Input Voltage	220-240Vac 50-60Hz	220-240Vac 50-60Hz	220-240Vac 50-60Hz
CCT Temperature (k)	2700 ^[1] 4000 ^[2] 6500 ^[3]	2700 ^[1] 4000 ^[2] 6500 ^[3]	2700 ^[1] 4000 ^[2] 6500 ^[3]
CCT Name	Warm White ^[1] Cool White ^[2] Day Light ^[3]	Warm White ^[1] Cool White ^[2] Day Light ^[3]	Warm White ^[1] Cool White ^[2] Day Light ^[3]
Rated Life (hrs)	20000	20000	20000
Nominal Lifetime (hrs)	20000	20000	20000
Switch Cycles	50000	50000	50000
CRI	81 ^[1] 83 ^[2] 81 ^[3]	81 ^[1] 83 ^[2] 81 ^[3]	81 ^[1] 83 ^[2] 81 ^[3]
Dimmable?	No	No	No

Retrofit?	No	Yes	Yes
Power Factor	0.52	0.52	0.52
Start Time (s)	0.45	0.45	0.45
Warm-up Time (s)	Instant full light	Instant full light	Instant full light
Length (mm)	99	102	98
Diameter (mm)	37	37	37
Mercury (mg)	0	0	0
Clean-up instructions	N/A	N/A	N/A
Rated Power (W)	5.0	5.0	5.0
Rated Luminous Flux (lm)	400 ^[1] 420 ^[2] 440 ^[3]	400 ^[1] 420 ^[2] 440 ^[3]	400 ^[1] 420 ^[2] 440 ^[3]
LMF at Lifetime	0.75	0.75	0.75
SDCM of CCT	<6	<6	<6
Ambient Temperature (°C)	-20 to 40	-20 to 40	-20 to 40

Product Markings

	RLCND05B22-27-N ^[1]	RLCND05E14-27-N ^[1]	RLCND05E27-27-N ^[1]
	RLCND05B22-40-N ^[2]	RLCND05E14-40-N ^[2]	RLCND05E27-40-N ^[2]
	RLCND05B22-65-N ^[3]	RLCND05E14-65-N ^[3]	RLCND05E27-65-N ^[3]
Manufacturer	REON	REON	REON
Product Code	RLCND05B22-27-N ^[1] RLCND05B22-40-N ^[2] RLCND05B22-65-N ^[3]	RLCND05E14-27-N ^[1] RLCND05E14-40-N ^[2] RLCND05E14-65-N ^[3]	RLCND05E27-27-N ^[1] RLCND05E27-40-N ^[2] RLCND05E27-65-N ^[3]
Voltage	220-240Vac 50-60Hz	220-240Vac 50-60Hz	220-240Vac 50-60Hz
Nominal Power (W)	5	5	5
Current (mA)	42	42	42
CE Mark	Yes	Yes	Yes
WEEE Mark	Yes	Yes	Yes
Batch Code	Yes	Yes	Yes

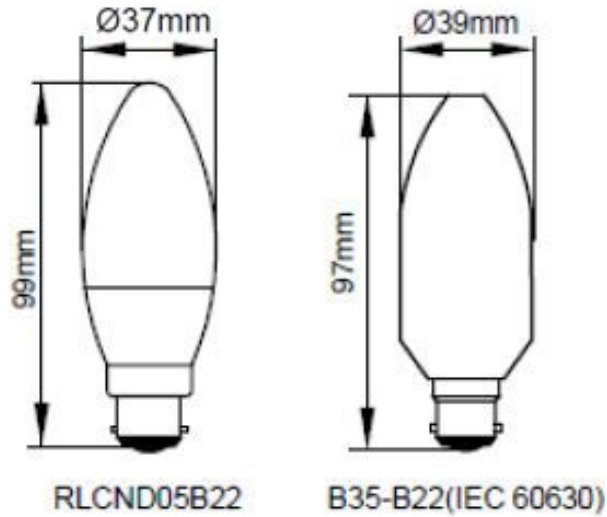
Energy Label

	RLCND05B22-27-N ^[1]	RLCND05E14-27-N ^[1]	RLCND05E27-27-N ^[1]
	RLCND05B22-40-N ^[2]	RLCND05E14-40-N ^[2]	RLCND05E27-40-N ^[2]
	RLCND05B22-65-N ^[3]	RLCND05E14-65-N ^[3]	RLCND05E27-65-N ^[3]
Manufacturer	REON	REON	REON
Product Code	RLCND05B22-27-N ^[1] RLCND05B22-40-N ^[2] RLCND05B22-65-N ^[3]	RLCND05E14-27-N ^[1] RLCND05E14-40-N ^[2] RLCND05E14-65-N ^[3]	RLCND05E27-27-N ^[1] RLCND05E27-40-N ^[2] RLCND05E27-65-N ^[3]
Energy Class	A+	A+	A+
Energy Consumption (kWh/1000h)	5	5	5

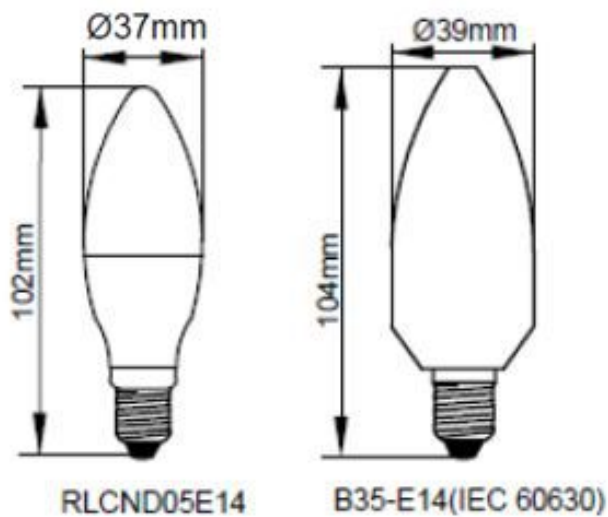
Packaging

	RLCND05B22-27-N ^[1]	RLCND05E14-27-N ^[1]	RLCND05E27-27-N ^[1]
	RLCND05B22-40-N ^[2]	RLCND05E14-40-N ^[2]	RLCND05E27-40-N ^[2]
	RLCND05B22-65-N ^[3]	RLCND05E14-65-N ^[3]	RLCND05E27-65-N ^[3]
UPC Code	- ^[1] 0609207992486 ^[2] 0609207992516 ^[3]	- ^[1] 0609207992493 ^[2] 0609207992523 ^[3]	- ^[1] 0609207992509 ^[2] 0609207992530 ^[3]
Outer Box Length (mm)	455	455	- ^[1] 455 ^[2] 455 ^[3]
Outer Box Width (mm)	220	220	- ^[1] 220 ^[2] 220 ^[3]
Outer Box Height (mm)	155	155	- ^[1] 155 ^[2] 155 ^[3]
Volume	0.0155155	0.0155155	- ^[1] 0.0155155 ^[2] 0.0155155 ^[3]
Box Quantity	50	50	- ^[1] 50 ^[2] 50 ^[3]
Outer Box Weight/kg	2.8	2.8	- ^[1] 2.8 ^[2] 2.8 ^[3]

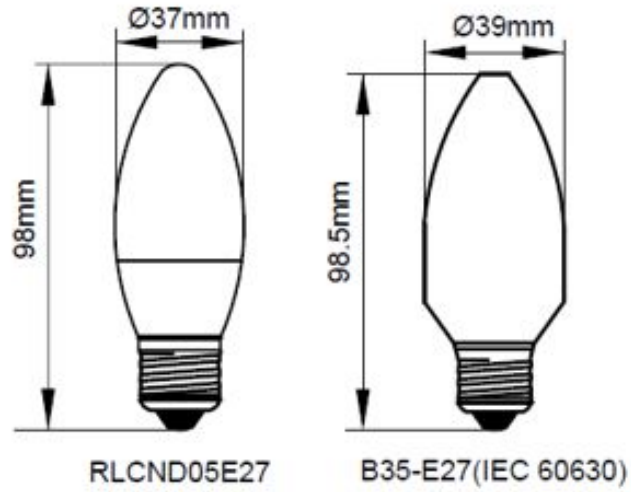
RLCND05B22-27-N
RLCND05B22-40-N
RLCND05B22-65-N



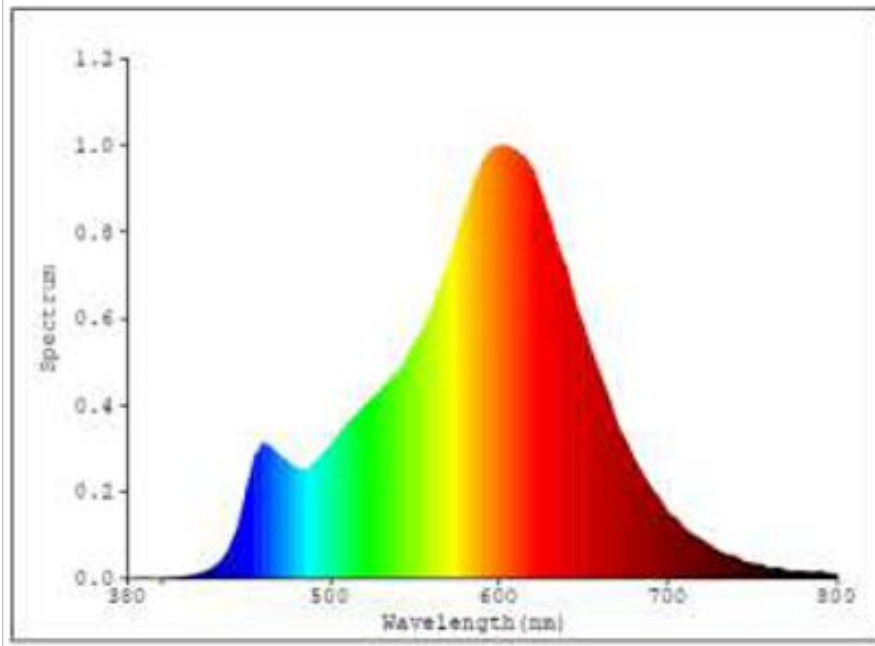
RLCND05E14-27-N
RLCND05E14-40-N
RLCND05E14-65-N



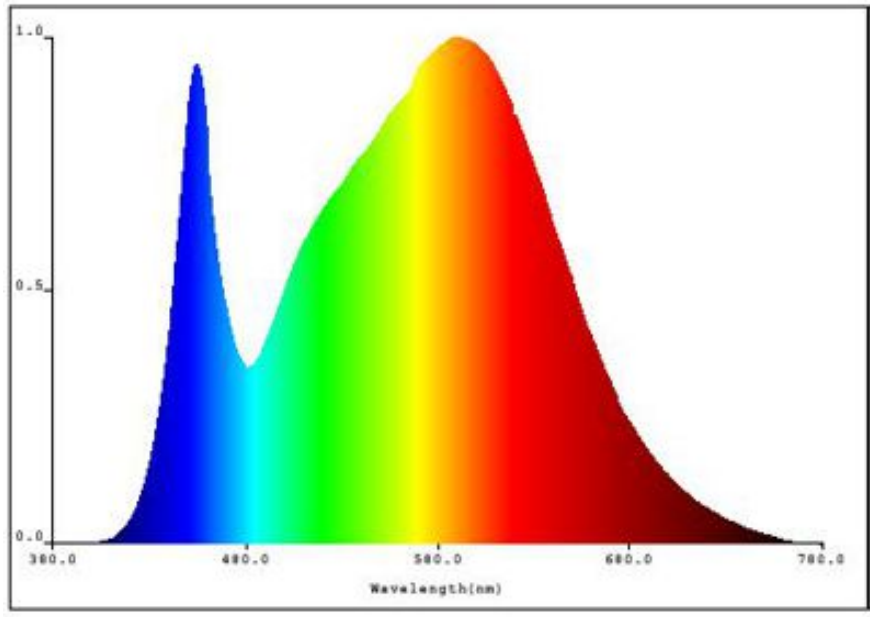
RLCND05E27-27-N
RLCND05E27-40-N
RLCND05E27-65-N



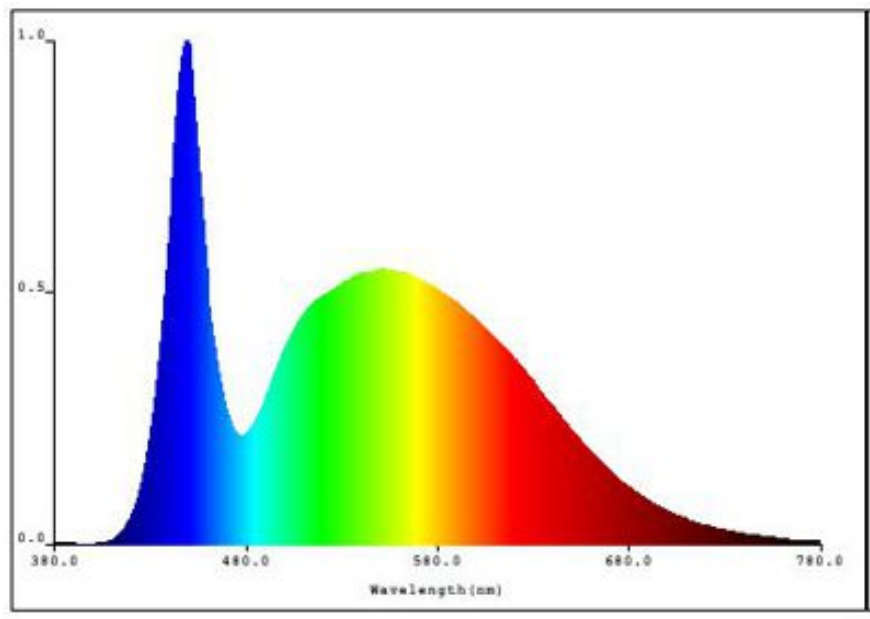
RLCND05B22-27-N
RLCND05E14-27-N
RLCND05E27-27-N



RLCND05B22-40-N
RLCND05E14-40-N
RLCND05E27-40-N



RLCND05B22-65-N
RLCND05E14-65-N
RLCND05E27-65-N



Datasheet generated from <http://www.electrika.com> last updated Friday, August 18, 2017 12:55:35 PM