



RLGLS05

5w Reon LED GLS, 20000hrs



Product Overview

The Reon range from Kosnic is a selected line of 20,000 hour energy saving retrofit LED lamps. Reliable, affordable and easy to install, Reon LEDs surpass the high quality standards that home owners and lighting professionals demand for lower cost applications. The Reon LED Frosted GLS lamp is the perfect energy efficient and high quality solution to directly replace traditional halogen lamps. Compatible with existing halogen fittings, this product will save you up to 85% of the energy needed to power its traditional equivalent without compromising on brightness.

Features

Save energy up to 85% compared with filament lamp.

Direct replacement of B22 or E27 GLS lamp.

High lumen output.

Long life of 20,000h.

Instant start.

No UV output.

Mercury free.

Safety and Maintenance

Switch off supply and allow cooling before handling lamp.

Use in totally enclosed fittings will reduce lamp life.

Do not dispose of lamp in household waste.

Dispose of in appropriate section of local civic amenity site or recycling centre.

Specifications

	RLGLS05B22-30-N	RLGLS05E27-30-N
Fitting	B22	E27
Shape / Type	GLS	GLS
Colour Finish	White	White
Optics Type	Frosted	Frosted
Wattage (w)	5	5
Equivalent Wattage (w)	37	37
Total Lumens (lm)	420	420
Input Current (mA)	42	42
Input Voltage	220-240Vac	220-240Vac
CCT Temperature (k)	3000	3000
CCT Name	Warm White	Warm White
Rated Life (hrs)	20000	20000
Nominal Lifetime (hrs)	20000	20000
Switch Cycles	50000	50000
Peak Candelas (cd)	60	60
CRI	82	82
Dimmable?	No	No
Retrofit?	Yes	Yes
Power Factor	0.52	0.52
Start Time (s)	0.45	0.45
Warm-up Time (s)	Instant full light	Instant full light
Length (mm)	108	110
Width (mm)	60	60
Depth (mm)	60	60

Unit D2 Kennetside, Bone Lane
NEWBURY, BERKSHIRE

T: 01635 523 713 E: sales@kosnic.com W: <http://www.kosnic.com>

Mercury (mg)	0	0
Clean-up instructions	N/A	N/A
Rated Power (W)	5.00	5.00
Rated Luminous Flux (lm)	420	420
LMF at Lifetime	0.75	0.75
SDCM of CCT	<6	<6
Ambient Temperature (°C)	-20 to 40	-20 to 40

Product Markings

	RLGLS05B22-30-N	RLGLS05E27-30-N
Manufacturer	REON	REON
Product Code	RLGLS05B22-30-N	RLGLS05E27-30-N
Voltage	220-240Vac 50-60Hz	220-240Vac 50-60Hz
Nominal Power (W)	5	5
Current (mA)	42	42
CE Mark	Yes	Yes
WEEE Mark	Yes	Yes
Batch Code	Yes	Yes

Energy Label

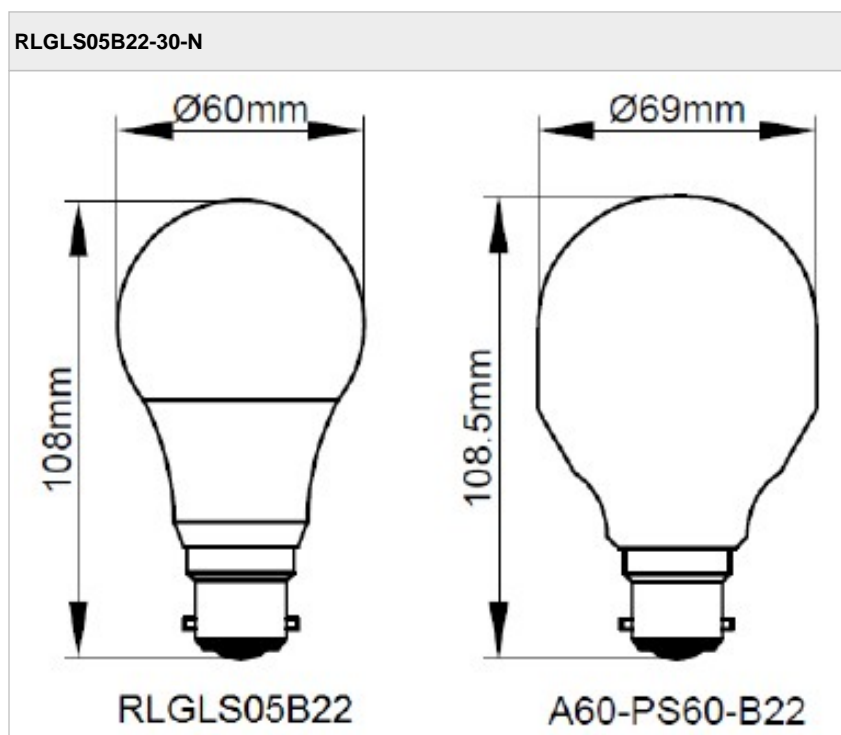
	RLGLS05B22-30-N	RLGLS05E27-30-N
Manufacturer	REON	REON
Product Code	RLGLS05B22-30-N	RLGLS05E27-30-N
Energy Class	A+	A+
Energy Consumption (kWh/1000h)	5	5

Unit D2 Kennetside, Bone Lane
NEWBURY, BERKSHIRE

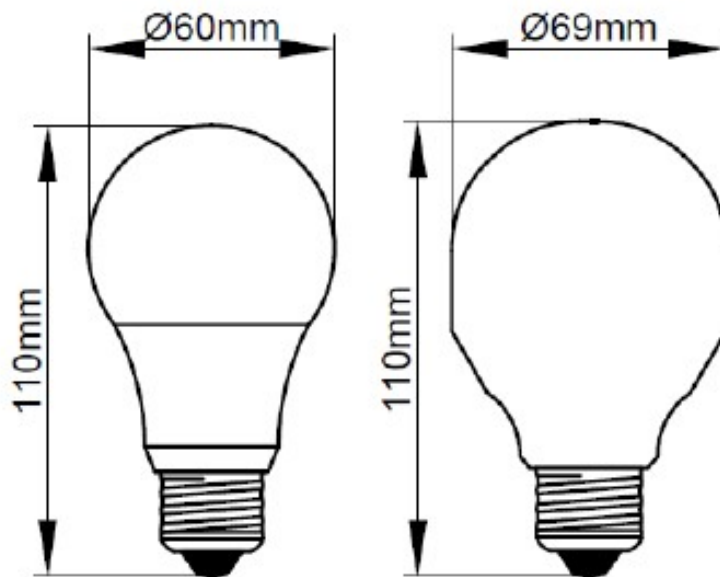
T: 01635 523 713 E: sales@kosnic.com W: <http://www.kosnic.com>

Packaging

	RLGLS05B22-30-N	RLGLS05E27-30-N
UPC Code	0609207986850	0609207986874
Outer Box Length (mm)	670	670
Outer Box Width (mm)	330	330
Outer Box Height (mm)	163	163
Volume	0.0360393	0.0360393
Box Quantity	50	50
Outer Box Weight/kg	4.85	4.85



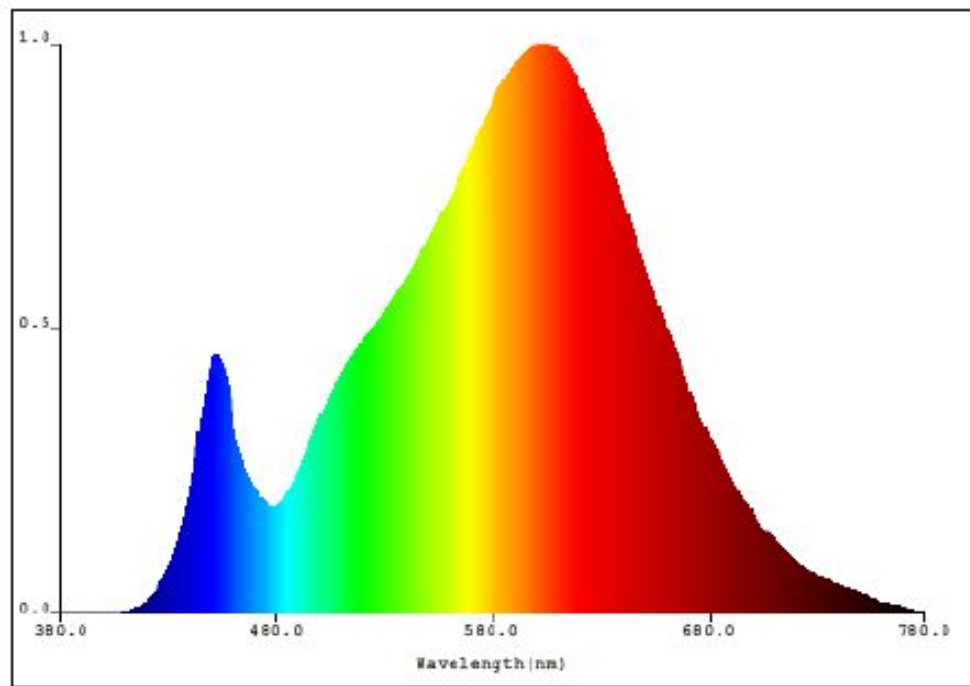
RLGLS05E27-30-N



RLGLS05E27

A60-PS60-E27

RLGLS05B22-30-N
RLGLS05E27-30-N



Datasheet generated from <http://www.electrika.com> last updated Friday, August 18, 2017 12:55:38 PM