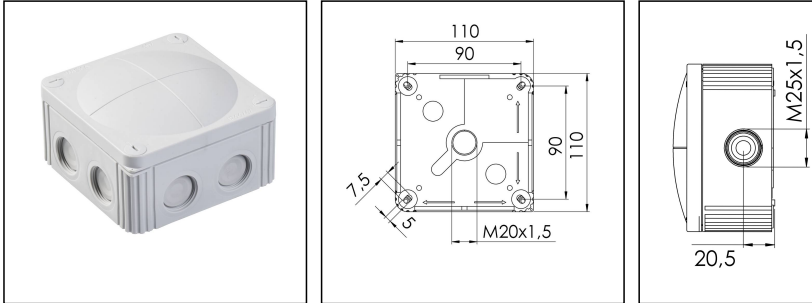



## COMBI 607/5

Junction box, polypropylene



Product illustrations are exemplary and may differ from the chosen product. Further variants and individual customization, we will gladly provide you on request.



<b>Material</b>	Polypropylene
<b>Material sealing gasket</b>	TPE
<b>Temp. range min</b>	-30 °C
<b>Temp. range max</b>	100 °C
<b>Temperatures during install.</b>	-5 °C - 60 °C
<b>Protection class</b>	IP66 / IP67
<b>Glow wire test</b>	750 °C
<b>Voltage</b>	690 V
<b>Rated current / A (Terminal)</b>	41 A
<b>Terminals/poles</b>	6 mm <sup>2</sup>
<b>Terminals/poles</b>	5 x 6mm <sup>2</sup>
<b>Fixing</b>	4 internal openings
<b>Ø cable diameter min</b>	5,2 mm
<b>Ø cable diameter max</b>	17 mm
<b>External dimensions LxWxH</b>	110 x 110 x 66mm
<b>Using for cable gland</b>	
<b>Product Color</b>	RAL 7035
<b>WISKA-Order no.</b>	10060532
<b>Type</b>	COMBI 607/5
<b>Packing unit</b>	3
<b>ETIM-Classification</b>	EC002600

Remarks:

IP66: using the membrane entry

Ø cable: 5,2 - 17 mm

WISKA Hoppmann GmbH  
Kisdorfer Weg 28 · 24568 Kaltenkirchen · Germany  
☎ +49-4191-508-0 · 📠 +49-4191-508-209  
contact@wiska.de · www.wiska.com

IP67: using the threaded entry together with ESKV cable gland

Ø cable: 9,0 - 17 mm

**Mounting:**

- 4 internal openings outside of the sealing area

**Equipment:**

- 7 elastic, self-sealing puncture-membranes for cable entry on the side and 3 on the bottom
- 7 integrated M25 thread for mounting without lock nut
- 4 captive cover screws
- with terminal 5-pole, 6mm<sup>2</sup>

13.09.2017

