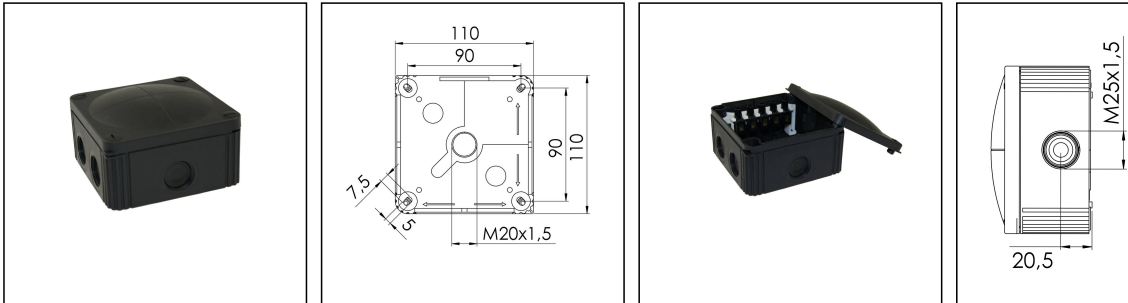



COMBI 607/5/S

Junction box, polypropylene



Product illustrations are exemplary and may differ from the chosen product. Further variants and individual customization, we will gladly provide you on request.



Material	Polypropylene
Material sealing gasket	TPE
Temp. range min	-30 °C
Temp. range max	100 °C
Temperatures during install.	-5 °C - 60 °C
Protection class	IP66 / IP67
Glow wire test	750 °C
Voltage	690 V
Rated current / A (Terminal)	41 A
Terminals/poles	6 mm ²
Terminals/poles	5 x 6mm ²
Fixing	4 internal openings
Ø cable diameter min	5,2 mm
Ø cable diameter max	17 mm
External dimensions LxWxH	110 x 110 x 66mm
Using for cable gland	
Product Color	RAL 9005
WISKA-Order no.	10060538
Type	COMBI 607/5/S
Packing unit	3
ETIM-Classification	EC002600

Remarks:

IP66: using the membrane entry

Ø cable: 5,2 - 17 mm

WISKA Hoppmann GmbH
Kisdorfer Weg 28 · 24568 Kaltenkirchen · Germany
☎ +49-4191-508-0 · 📠 +49-4191-508-209
contact@wiska.de · www.wiska.com

IP67: using the threaded entry together with ESKV cable gland

Ø cable: 9,0 - 17 mm

Mounting:

- 4 internal openings outside of the sealing area

Equipment:

- 7 elastic, self-sealing puncture-membranes for cable entry on the side and 3 on the bottom
- 7 integrated M25 thread for mounting without lock nut
- 4 captive cover screws
- with terminal 5-pole, 6mm²

13.09.2017

