

Why Use atc Unvented Water Heaters?

Energy Efficient

- Fitted with Polyurethane Foam Insulation that reduces heat loss, which Reduces Energy consumption and ensures High Energy Efficiency
- External Thermostat Control with Economy setting for Energy Efficiency
- High performance 2KW square flange heating element which is more Durable and Efficient

Tough and Durable

- Unique Dry Porcelain Enamel Tank lining delivers at least twice the Corrosion Resistance of ordinary glass lining
- Fitted with a Premium Protective Magnesium Anode which equalises aggressive water action and provides Extra Protection against Corrosion

Safety

- Fitted with Thermostat and Limiting Device to protect against overheating



atc 5 Litre and 10 Litre Under Sink Water Heaters

Compact Design for Point
of Use Applications!



atc

Hot Water Solutions Made Easy



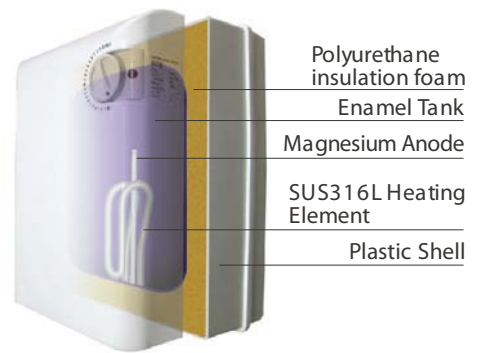
atc 5 litre and 10 litre Under Sink Water Heaters

For commercial applications the 5 Litre and 10 Litre **atc** unvented under sink water heaters are the ideal solution for supplying a number of sinks, depending on the hot water demand, without the need for special taps. This can prove more cost effective than installing a traditional vented system.

TECHNICAL SPECIFICATIONS

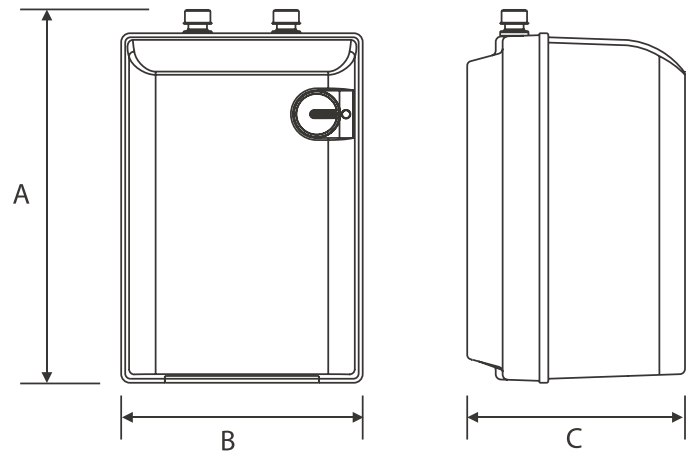
- Easy to install
- Available in 5 litre and 10 litre.
- High density polyurethane foam insulation which reduces radiant heat loss, reduces energy consumption and ensures high energy efficiency.
- Exclusive dry powder porcelain enamel tank lining delivering twice the corrosion resistance of ordinary glass lining.
- Fitted with heavy duty seamless bolt - on square flange type heating elements which are more durable and efficient.
- Fitted with premium protective magnesium anode rod which equalises aggressive water action and provides extra protection against corrosion.
- External thermostat control allows adjustment to preferred water temperature.
- Fitted with limiting device to provide protection of overheating.
- Supplied with expansion relief valve calibrated at 6 Bar
- Wall or floor mounting
- Supplied with wall brackets.

Offices, Canteens, Mobile Homes, Apartments and Work shops



TECHNICAL DATA

Product Code	Z - 5U	Z - 10U
Capacity (L / Gal)	5L / 1.1Gal	10L / 2.2Gal
Power Watts (W)	2000W	2000W
Voltage (V)	230V	230V
Frequency (Hz)	50 / 60 Hz	50 / 60Hz
Max Pressure (Bar)	6 Bar	6 Bar
Connections	1/2"	1/2"
Thermostat	External	External
Approvals	CCC, CE, RoHs	CCC, CE, RoHs



RECOMMENDED SELECTION GUIDE

Capacity of Water Heater	Number of Basins
5 litres	1 - 2
10 litres	2 - 3
15 litres	3 - 4

Note: These figures are for guidance only.

HEAT UP TIME

5 litres	9 minutes
10 litres	21 minutes

Dimensions	Z-5U	Z-10U
Height (mm) A	300mm	415mm
Width (mm) B	260mm	273mm
Depth (mm) C	246mm	246mm



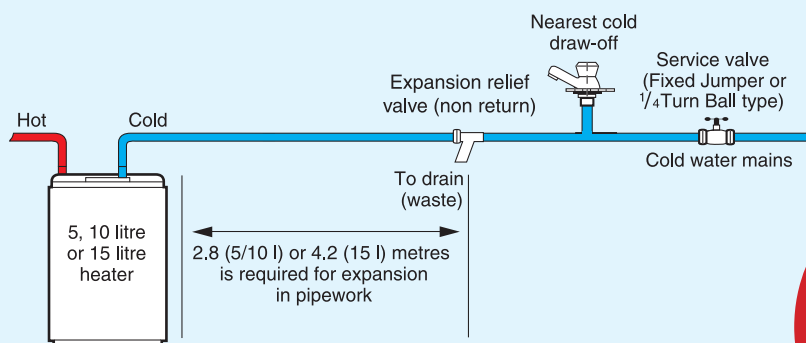
See Installation Options on Page 31

Expansion Vessel for Water Heaters on Page 31

atc Installation Options

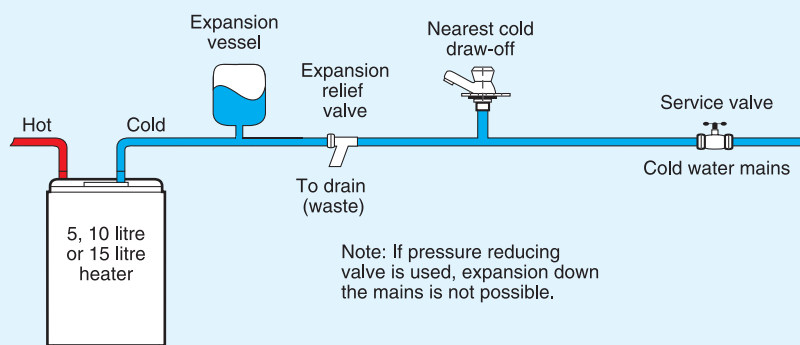
INSTALLATION OF COMMERCIAL UNVENTED WATER HEATERS AND KIT OPTIONS

For inlet water pressure up to 4.1 bar (with no additional kits used)

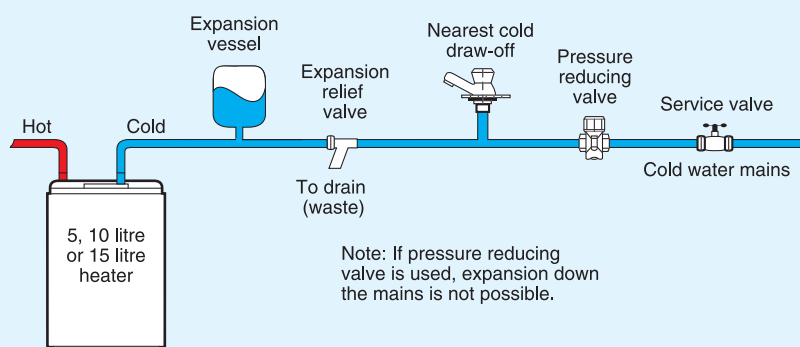


Safety Valve must never be mounted on water heater itself

For inlet water pressure up to 4.1 bar where expansion back down the mains is not possible



For inlet water pressure above 4.1 bar



EXPANSION VESSELS FOR WATER HEATERS

CODE	DESCRIPTION	BOX QTY
Kit - A	2L Expansion Vessel with 1/2 " BSP for 5L, 10L & 15L Water Heaters	1
Kit - B	KIT B Pressure Reducing Valve	1
Kit - C	KIT-C Tundish 406807	1

atc 15 Litre Under Sink Water Heater Z15 – U

For commercial applications the 15 Litre **atc** unvented under sink water heaters are the ideal solution for supplying a number of sinks, depending on the hot water demand, without the need for special taps. This can prove more cost effective than installing a traditional vented system

TECHNICAL SPECIFICATIONS

Canteens, Kitchens, Offices, Apartments and Work shops

- Easy to install
- Available in 15 litre
- High density polyurethane foam insulation which reduces radiant heat loss, reduces energy consumption and ensures high energy efficiency.
- Exclusive dry powder porcelain enamel tank lining delivering twice the corrosion resistance of ordinary glass lining.
- Fitted with heavy duty seamless bolt - on square flange type heating elements which are more durable and efficient.
- Fitted with premium protective magnesium anode rod which equalises aggressive water action and provides extra protection against corrosion.
- External thermostat control allows adjustment to preferred water temperature.
- Fitted with limiting device to provide protection of overheating.
- Supplied with expansion relief valve calibrated at 6 Bar
- **Floor or Shelf Mounting**

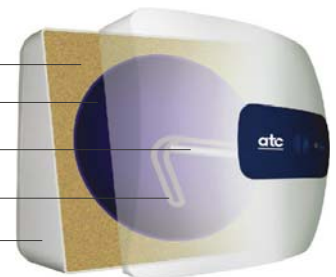


Polyurethane insulation foam

Enamel Tank

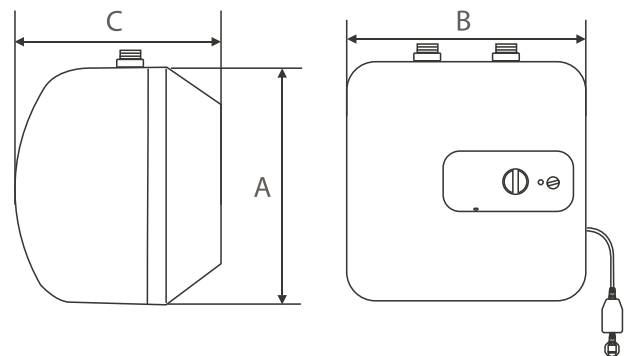
Magnesium Anode
SUS316L Heating Element

Plastic Shell



TECHNICAL DATA

Product Code	Z - 15U
Capacity (L / Gal)	15L / 3.3 Gal
Power Watts (W)	2000W
Voltage (V)	230V
Frequency (Hz)	50 / 60Hz
Max Pressure (Bar)	6 Bar
Connections	1/2"
Thermostat	External
Approvals	CCC, CE, RoHs



RECOMMENDED SELECTION GUIDE

Capacity of Water Heater	Number of Basins
5 litres	1 - 2
10 litres	2 - 3
15 litres	3 - 4

Note: These figures are for guidance only.

HEAT UP TIME

15 litres	32 minutes
-----------	------------

Dimensions	Z-15U
Height (mm) A	460mm
Width (mm) B	290mm
Depth (mm) C	275mm



See Installation Options on Page 31

Expansion Vessel for Water Heaters on Page 31