

Contour Panel Heater (CEPE)



Product Description

Creda CEPE features digital user controls, allowing the programming of 7-day timer profile via an icon-based display and capacitive buttons.

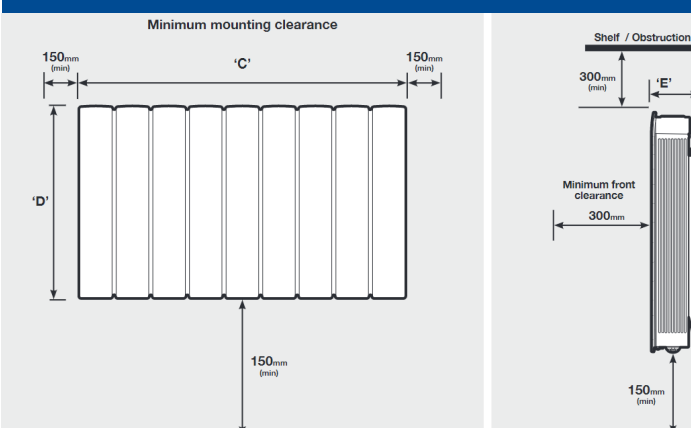
Key Features

- Intuitive user controls with icon-based display
- User programmable room temperatures with multiple seven-day timer profiles
- Electronic thermostat accurate to within 0.2°C
- Energy-saving technologies such as Adaptive Start, Open Window Detection and Frost Protect
- Splash-proof for use in bathrooms
- Complies with Lot 20 of ERP Directive

Technical Details

Controls	Digitally controlled, Electronic Thermostat accurate to ($\pm 0.2^{\circ}\text{C}$) Timer modes: 7 Day Programmable User Timer Continuous heat modes: Manual, Frost Protect, Off, Setback Mode
Controller UI	<ul style="list-style-type: none"> • Icon-based display with white backlight • Capacitive buttons with audio feedback • User replaceable battery (Coin-Type)
Controller Functions	<ul style="list-style-type: none"> • Open window detection, Adaptive-start, • Advance time period • Adjustable max SP range ($7\text{-}32^{\circ}\text{C}$) • Bluetooth for software updates • Child Lock
Construction	<ul style="list-style-type: none"> • Durable epoxy-polyester powder coated steel casing with slotted upward facing grille • Advanced controls with cap-sense technology for total flexibility of heating
Element	Compact, finned, mineral filled sheathed element
Installation	1 H-frame wall bracket for easy fixing
Safety	<ul style="list-style-type: none"> • Thermal cut-out. Auto reset type • Overheat detection
IP Rating	IP24
Battery Backup	3.3V coin cell battery to backup real time clock. Battery life > 5 years.
Supply	1.3 metres fitted, 3 core for fused spur installation, 1/N/PE ~230-240 V, 50Hz Class I, with earth wire
Colour / Finish	Metal Chassis, Air Outlet Grille & Control Moulding - Traffic White (RAL 9016)

Dimensions



*Please note correct product orientation is with controller facing top right side only

Model/Item No. (EAN-Code 5011139+Item No.)	091024	CEP050E 091031	CEP075E 091048	CEP100E 091055	CEP150E 091062	CEP200E
Output (kW)	0.50	0.75	1.00	1.50	2.00	
Height 'D' (mm)	536	536	536	536	536	
Width 'C' (mm)	503	503	671	741	911	
Depth 'E' (mm)	104	104	104	104	104	
Weight (Kg)	11.3	11.3	14	15.4	18.3	
Packaging Details						
Height (mm)	670	670	670	670	670	
Width (mm)	590	590	764	837	1000	
Depth (mm)	182	182	182	182	182	
Packed Weight (Kg)	13	13	16	17.5	20.5	
Ti	10	10	7	7	6	
Hi	3	3	2	2	2	
Pallet Quantity (2.4m high)	30	30	14	14	12	

Warranty & Approvals

Approvals	CE, BEAB
Warranty	1 Year
Country of Origin	United Kingdom
Manufacturer	Creda