



RDCND05

5w Reon Dimmable LED Candle, Frosted, 20000hrs



Product Overview

The Reon range from Kosnic is a selected line of 20,000 hour energy saving retrofit LED lamps. Reliable, affordable and easy to install, Reon LEDs surpass the high quality standards that home owners and lighting professionals demand for lower cost applications. The Reon Dimmable LED Frosted Candle lamp is the perfect energy efficient and high quality solution to directly replace traditional halogen lamps. Compatible with existing halogen fittings, this product will save you up to 85% of the energy needed to power its traditional equivalent without compromising on brightness

Features

Save energy up to 85% compared with filament lamp.

Dimmable.

Direct replacement of B22, E14 or E27 lamp.

High lumen output.

Long life of 20,000h.

Instant start.

No UV output.

Mercury free.

Safety and Maintenance

Switch off supply and allow cooling before handling lamp.

Use in totally enclosed fittings will reduce lamp life.

Do not dispose of lamp in household waste.

Dispose of in appropriate section of local civic amenity site or recycling centre.

Specifications

	RDCND05B22-30-N-H	RDCND05E14-30-N-H	RDCND05E27-30-N-H
Fitting	B22	E14	E27
Shape / Type	Candle	Candle	Candle
Colour Finish	White	White	White
Optics Type	Frosted	Frosted	Frosted
Wattage (w)	5	5	5
Equivalent Wattage (w)	35	35	35
Total Lumens (lm)	390	390	390
Input Current (mA)	28	28	28
Input Voltage	220-240Vac	220-240Vac	220-240Vac
CCT Temperature (k)	3000	3000	3000
CCT Name	Warm White	Warm White	Warm White
Rated Life (hrs)	20000	20000	20000
Nominal Lifetime (hrs)	20000	20000	20000
Switch Cycles	50000	50000	50000
CRI	80	80	80
Dimmable	Yes	Yes	Yes
Retrofit	Yes	Yes	Yes
Power Factor	0.77	0.77	0.77
Start Time (s)	0.45	0.45	0.45
Warm-up Time (s)	Instant full light	Instant full light	Instant full light
Length (mm)	100	103	102
Width (mm)	37	37	37
Depth (mm)	37	37	37
Mercury (mg)	0	0	0

Unit D2 Kennetside, Bone Lane
NEWBURY, BERKSHIRE

T: 01635 523 713 E: sales@kosnic.com W: <http://www.kosnic.com>

Clean-up instructions	N/A	N/A	N/A
Rated Power (W)	5.00	5.00	5.00
Rated Useful Luminous Flux (lm)	390	390	390
LMF at Lifetime	0.75	0.75	0.75
SDCM of CCT	<6	<6	<6
Ambient Temperature (°C)	-20 to 40	-20 to 40	-20 to 40

Product Markings

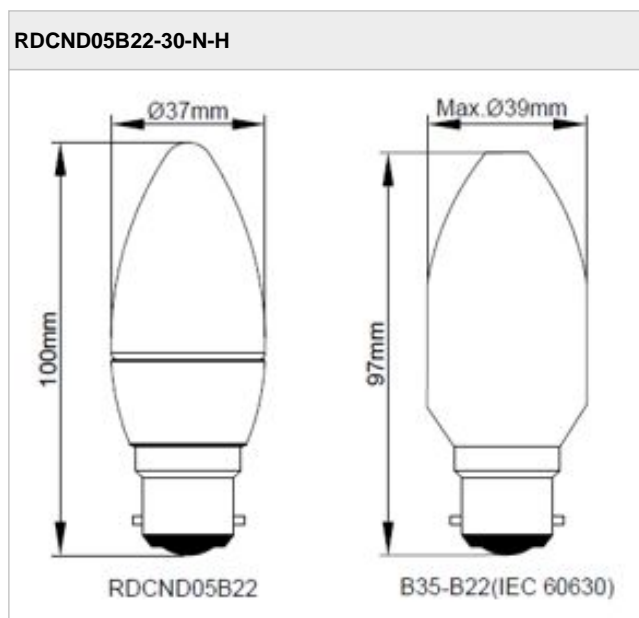
	RDCND05B22-30-N-H	RDCND05E14-30-N-H	RDCND05E27-30-N-H
Manufacturer	REON	REON	REON
Product Code	RDCND05B22-30-N-H	RDCND05E14-30-N-H	RDCND05E27-30-N-H
Voltage	220-240Vac 50-60Hz	220-240Vac 50-60Hz	220-240Vac 50-60Hz
Nominal Power (W)	5	5	5
Current (mA)	28	28	28
CE Mark	Yes	Yes	Yes
WEEE Mark	Yes	Yes	Yes
Batch Code	Yes	Yes	Yes

Energy Label

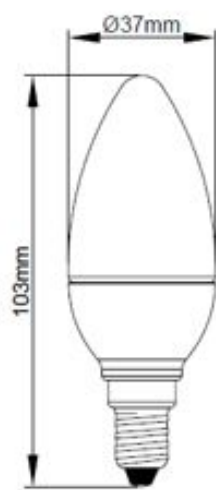
	RDCND05B22-30-N-H	RDCND05E14-30-N-H	RDCND05E27-30-N-H
Manufacturer	REON	REON	REON
Product Code	RDCND05B22-30-N-H	RDCND05E14-30-N-H	RDCND05E27-30-N-H
Energy Class	A+	A+	A+
Energy Consumption (kWh/1000h)	5	5	5

Packaging

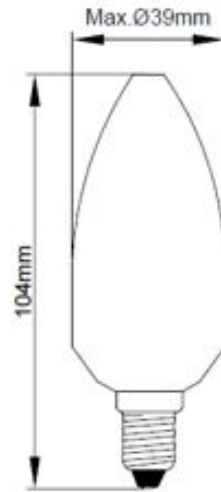
	RDCND05B22-30-N-H	RDCND05E14-30-N-H	RDCND05E27-30-N-H
UPC Code	0609207990215	0609207990222	0609207990239
Outer Box Length (mm)	475	475	472
Outer Box Width (mm)	225	225	225
Outer Box Height (mm)	160	160	160
Volume	0.0171	0.0171	0.016992
Box Quantity	50	50	50
Outer Box Weight (kg)	4	4	4



RDCND05E14-30-N-H

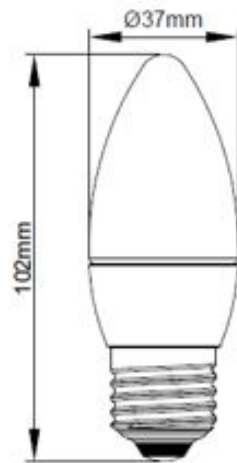


RDCND05E14

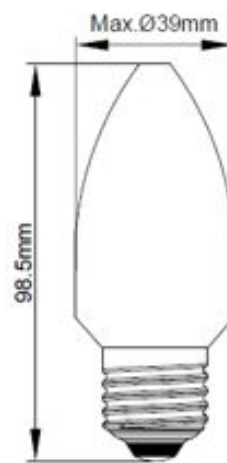


B35-E14(IEC60630)

RDCND05E27-30-N-H

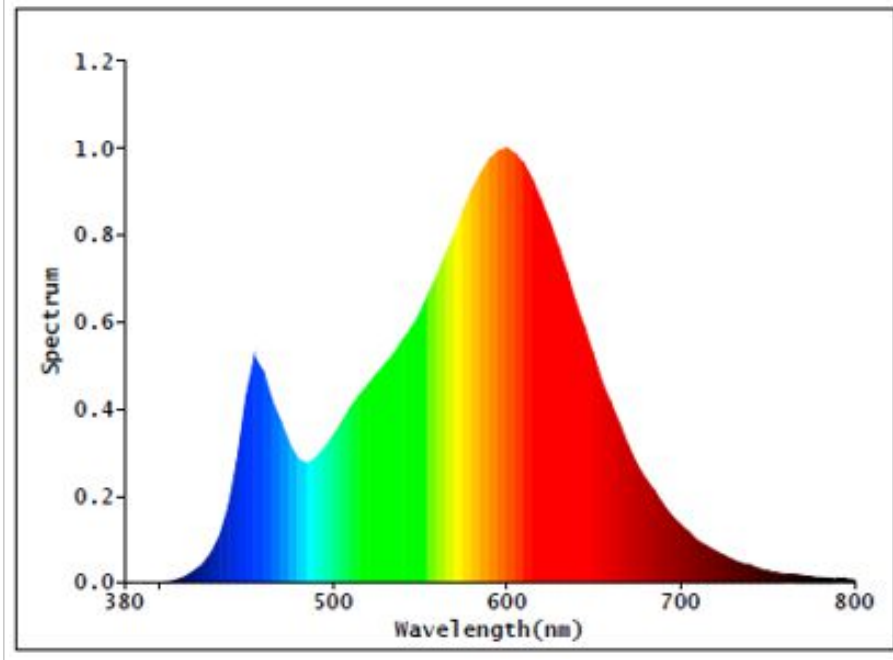


RDCND05E27



B35-E27(IEC 60630)

RDCND05B22-30-N-H
RDCND05E14-30-N-H
RDCND05E27-30-N-H



Compatibility

The lamps have been tested on the following dimmer switches and are generally suitable for trailing edge systems, but if not listed, tests should be conducted to confirm compatibility:

Dimmer Switch Compatibility

Manufacturer	Model	Marked Rating	Notes
Danlers	DQDGD MK	400W	1 to 20 lamps. Approx. 75% dimming.
Hamilton	H-LEDStat	100W	1 to 20 lamps. Approx. 80% dimming.
Hamilton	H-GDMTM250 (Touch)	250W	1 to 10 lamps. Approx. 75% dimming
Robus	LOADPRO RLA200DT-01	133W	1 to 20 lamps. Approx. 85% dimming.
Varilight	Eclique (JDQI401S)	400W	1 to 20 lamps. Approx. 75% dimming.
Varilight	V-Pro	100W LED	1 to 20 lamps. Approx. 95% dimming.

Datasheet generated from <http://www.electrika.com> last updated Friday, November 17, 2017 3:10:26 PM