



KFLM02BTP-CLR

2w LED Filament Candle, Bent-tip, 20000hrs, Clear



Product Overview

Kosnic's Home range of LED products brings the energy saving and safety capabilities of LED technology for general and decorative lighting to the home. Offering a range of classic shapes, all Home LEDs are designed to replace traditional filament lamps. Our showpiece KTC LED Filament Candle lamp has a traditional appearance and gives an even spread of light in all directions. It is also highly functional and efficient, up to 100lm/W, giving a quality of light that creates inviting living spaces while offering huge energy savings over filament lamps without compromising on brightness. Delivering a warm and comforting ambient light around 360 degrees, this LED filament candle is a perfect match for almost every style of chandelier across domestic and professional environments, and once in place rapid payback is achieved.

Features

Save energy up to 90% compared with an incandescent filament lamp.

Linear LED filament provides a traditional appearance.

Popular B22, E14 and E27 caps.

Even light distribution.

High lumen output.

Long life of 20,000hrs.

Instant start.

Negligible UV output.

Mercury free.

Specifications

	KFLM02BTP/B22-CLR-N27-K	KFLM02BTP/E14-CLR-N27-K	KFLM02BTP/E27-CLR-N27-K
Fitting	B22	E14	E27
Shape / Type	Bent-tip Candle	Bent-tip Candle	Bent-tip Candle
Optics Type	Clear	Clear	Clear
Wattage (w)	2	2	2
Equivalent Wattage (w)	20	20	20
Total Lumens (lm)	190	190	190
Input Current (mA)	17	17	17
Input Voltage	220-240Vac	220-240Vac	220-240Vac
CCT Temperature (k)	2700	2700	2700
CCT Name	Warm White	Warm White	Warm White
Rated Life (hrs)	20000	20000	20000
Switch Cycles	50000	50000	50000
CRI	82	82	82
Dimmable	No	No	No
Retrofit	No	Yes	No
Power Factor	0.5	0.5	0.5
Start Time (s)	0.1	0.1	0.1
Warm-up Time (s)	0.5	0.5	0.5
Length (mm)	107	105	107
Width (mm)	35	35	35
Depth (mm)	35	35	35
Ambient Temperature (°C)	-20 to 40	-20 to 40	-20 to 40

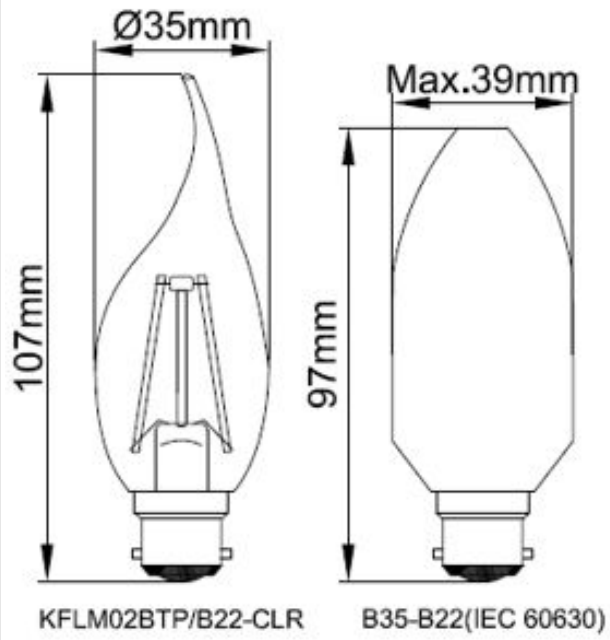
Energy Label

	KFLM02BTP/B22-CLR-N27-K	KFLM02BTP/E14-CLR-N27-K	KFLM02BTP/E27-CLR-N27-K
Energy Class	A++	A++	A++
Energy Consumption (kWh/1000h)	2	2	2

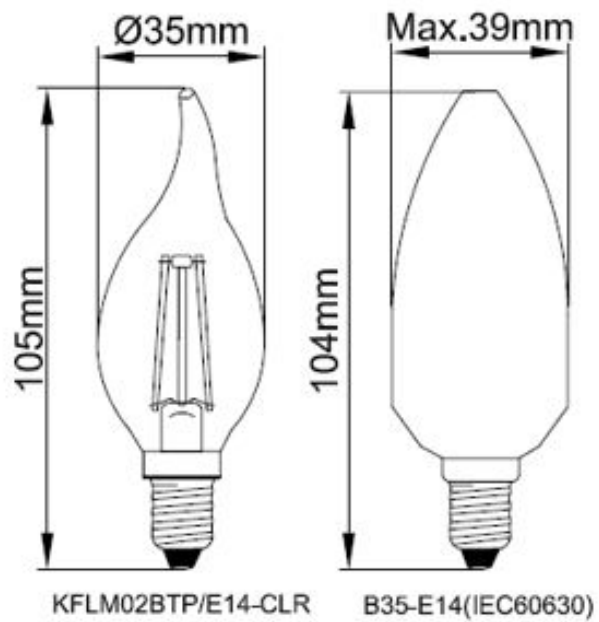
Packaging

	KFLM02BTP/B22-CLR-N27-K	KFLM02BTP/E14-CLR-N27-K	KFLM02BTP/E27-CLR-N27-K
UPC Code	0609207995708	0609207995715	0609207995722
Outer Box Length (mm)	455	455	455
Outer Box Width (mm)	220	220	220
Outer Box Height (mm)	155	155	155
Volume	0.0155155	0.0155155	0.0155155
Box Quantity	50	50	50
Outer Box Weight (kg)	2.2	2.2	2.2

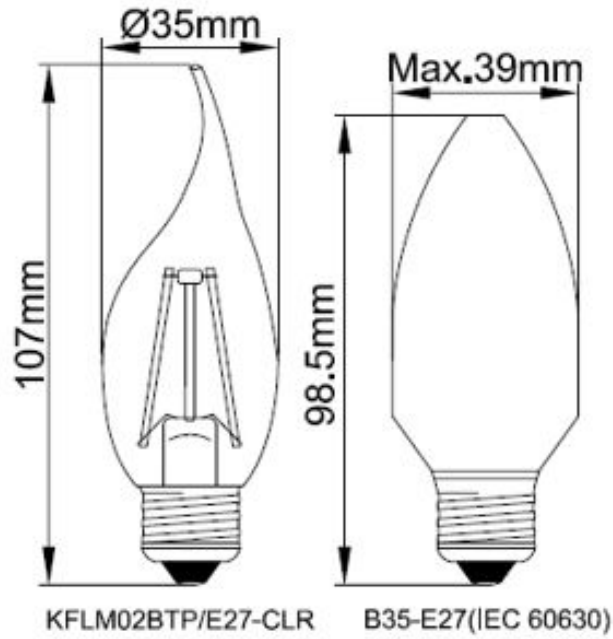
KFLM02BTP/B22-CLR-N27-K



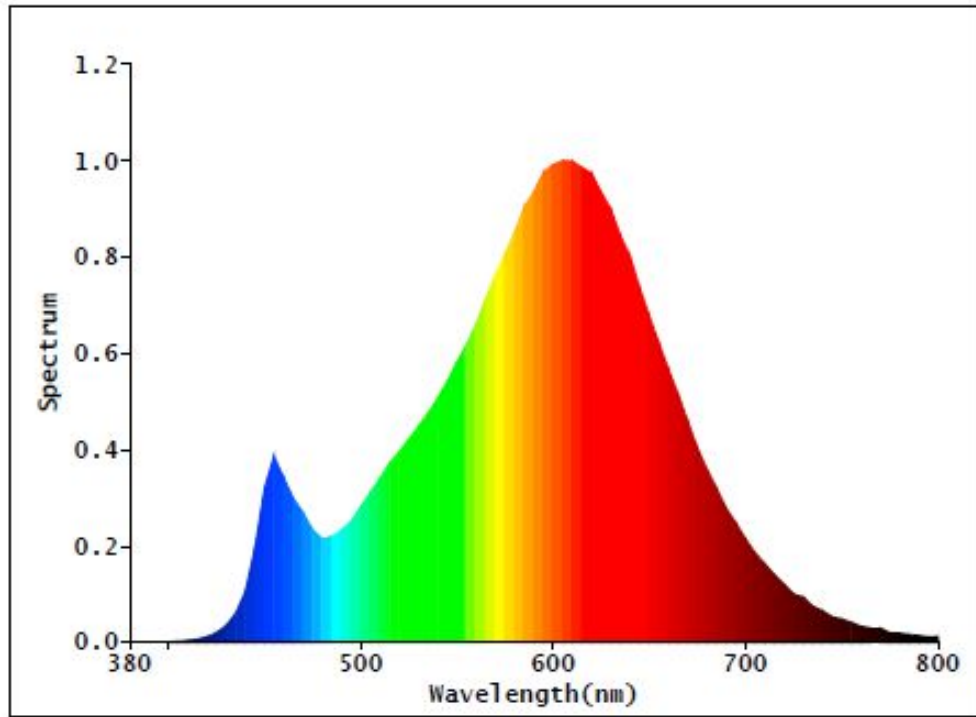
KFLM02BTP/E14-CLR-N27-K



KFLM02BTP/E27-CLR-N27-K



KFLM02BTP/B22-CLR-N27-K
KFLM02BTP/E14-CLR-N27-K
KFLM02BTP/E27-CLR-N27-K



Datasheet generated from <http://www.electrika.com> last updated Friday, November 17, 2017 3:10:17 PM

Unit D2 Kennetside, Bone Lane
NEWBURY, BERKSHIRE

T: 01635 523 713 E: sales@kosnic.com W: <http://www.kosnic.com>