



## **KFLM04TWT-CLR**

4w LED Filament Candle, Twisted, 20000hrs, Clear



## **Product Overview**

Kosnic's Home range of LED products brings the energy saving and safety capabilities of LED technology for general and decorative lighting to the home. Offering a range of classic shapes, all Home LEDs are designed to replace traditional filament lamps. Our showpiece KTC LED Frosted Filament Candle lamp has a traditional appearance and gives an even spread of light in all directions. It is also highly functional and efficient, giving a quality of light that creates inviting living spaces while offering huge energy savings over filament lamps without compromising on brightness. Delivering a warm and comforting ambient light around 360 degrees, this LED filament candle is a perfect match for almost every style of chandelier across domestic and professional environments, and once in place rapid payback is achieved.

# Features

Save energy up to 88% compared with an incandescent filament lamp.

Linear LED filament provides a traditional appearance.

Popular B22, E14 and E27 caps.

Even light distribution.

High lumen output.

Long life of 20,000hrs.

Instant start.

Negligible UV output.

Mercury free.

# Specifications

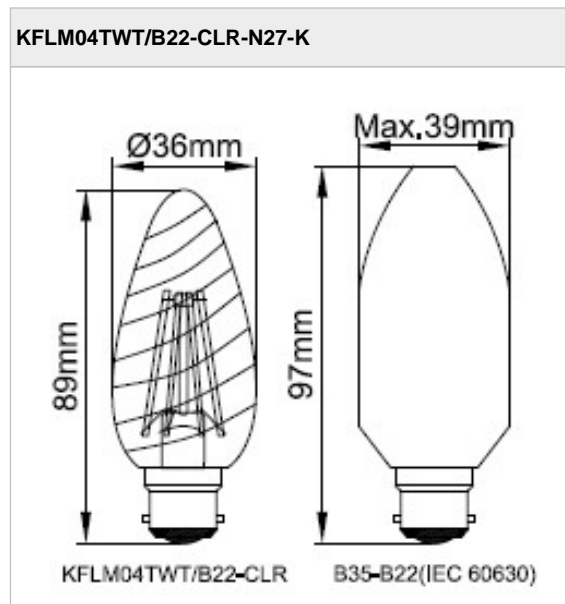
	KFLM04TWT/B22-CLR-N27-K	KFLM04TWT/E14-CLR-N27-K	KFLM04TWT/E27-CLR-N27-K
<b>Fitting</b>	B22	E14	E27
<b>Shape / Type</b>	Twisted Candle	Twisted Candle	Twisted Candle
<b>Optics Type</b>	Clear	Clear	Clear
<b>Wattage (w)</b>	4	4	4
<b>Equivalent Wattage (w)</b>	34	34	34
<b>Total Lumens (lm)</b>	380	380	380
<b>Input Current (mA)</b>	35	35	35
<b>Input Voltage</b>	220-240Vac	220-240Vac	220-240Vac
<b>CCT Temperature (k)</b>	2700	2700	2700
<b>CCT Name</b>	Warm White	Warm White	Warm White
<b>Rated Life (hrs)</b>	20000	20000	20000
<b>Switch Cycles</b>	50000	50000	50000
<b>CRI</b>	81	81	81
<b>Dimmable</b>	No	No	No
<b>Retrofit</b>	Yes	Yes	Yes
<b>Power Factor</b>	0.50	0.50	0.50
<b>Start Time (s)</b>	0.10	0.10	0.10
<b>Warm-up Time (s)</b>	0.5	0.5	0.5
<b>Length (mm)</b>	89	95	92
<b>Width (mm)</b>	36	36	35
<b>Depth (mm)</b>	36	36	35
<b>Ambient Temperature (°C)</b>	-20 to 40	-20 to 40	-20 to 40

# Energy Label

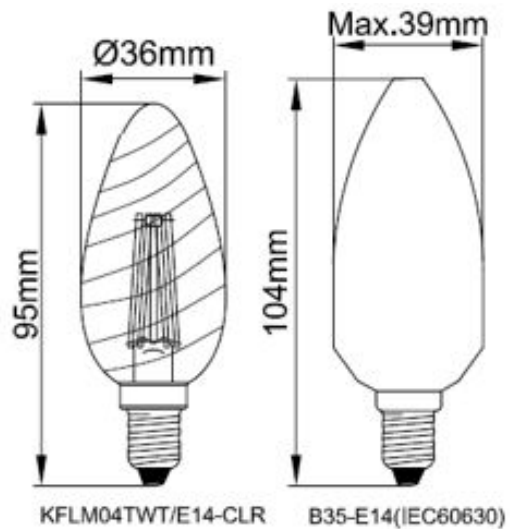
	KFLM04TWT/B22-CLR-N27-K	KFLM04TWT/E14-CLR-N27-K	KFLM04TWT/E27-CLR-N27-K
<b>Energy Class</b>	A++	A++	A++
<b>Energy Consumption (kWh/1000h)</b>	4	4	4

# Packaging

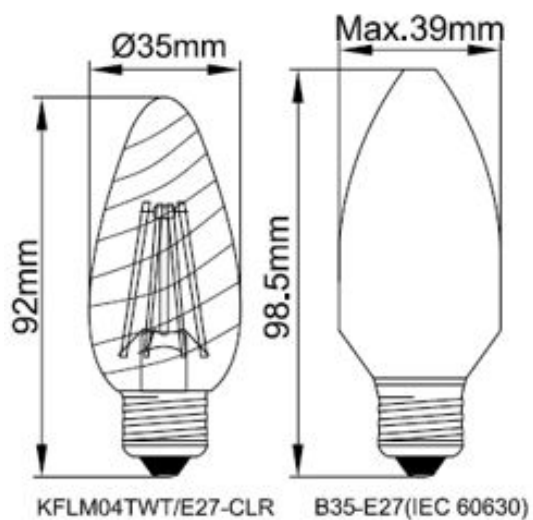
	KFLM04TWT/B22-CLR-N27-K	KFLM04TWT/E14-CLR-N27-K	KFLM04TWT/E27-CLR-N27-K
<b>UPC Code</b>	0609207995791	0609207995807	0609207995814
<b>Outer Box Length (mm)</b>	455	455	455
<b>Outer Box Width (mm)</b>	220	220	220
<b>Outer Box Height (mm)</b>	155	155	155
<b>Volume</b>	0.0155155	0.0155155	0.0155155
<b>Box Quantity</b>	50	50	50
<b>Outer Box Weight (kg)</b>	2.2	2.2	2.2



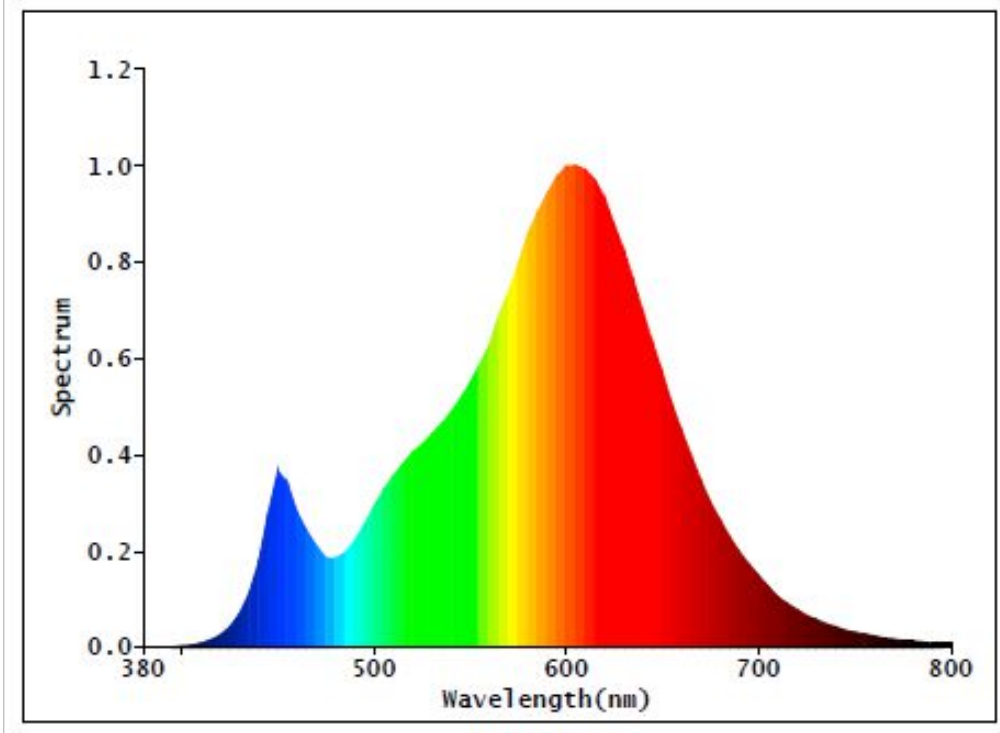
KFLM04TWT/E14-CLR-N27-K



KFLM04TWT/E27-CLR-N27-K



KFLM04TWT/B22-CLR-N27-K  
KFLM04TWT/E14-CLR-N27-K  
KFLM04TWT/E27-CLR-N27-K



Datasheet generated from <http://www.electrika.com> last updated Monday, November 20, 2017 12:17:36 PM