



KFLM04CND-FRS

4w LED Filament Candle, 20000hrs, Frosted



Product Overview

The KTC LED Filament Candle lamp has a traditional appearance and gives an even spread of light in all directions. It is also highly functional and efficient, up to 95lm/W, giving a quality of light that creates inviting living spaces while offering huge energy savings over filament lamps without compromising on brightness. The lamps can quickly replace filament products in domestic and hospitality lighting applications, and once in place rapid payback is achieved.

Features

Linear LED filament provides a traditional appearance.

Even light distribution.

Popular B22, E14 and E27 caps.

Save energy up to 88% compared with a filament lamp.

High lumen output.

Long life of 20,000h.

Instant start.

Negligible UV output.

Mercury free.

Safety and Maintenance

Switch off supply before installing or removing lamp. Allow to cool before handling.

Do not use in totally enclosed fittings as this will reduce lamp life.

Do not dispose of in household waste.

Dispose of in appropriate section of local civic amenity site or recycling centre.

Specifications

	KFLM04CND/B22-FRS-N27-K	KFLM04CND/E14-FRS-N27-K	KFLM04CND/E27-FRS-N27-K
Fitting	B22	E14	E27
Shape / Type	Candle	Candle	Candle
Optics Type	Frosted	Frosted	Frosted
Wattage (w)	4	4	4
Equivalent Wattage (w)	34	34	34
Total Lumens (lm)	380	380	380
Input Current (mA)	35	35	35
Input Voltage	220-240Vac	220-240Vac	220-240Vac
CCT Temperature (k)	2700	2700	2700
CCT Name	Warm White	Warm White	Warm White
Rated Life (hrs)	20000	20000	20000
Nominal Lifetime (hrs)	20000	20000	20000
Switch Cycles	50000	50000	50000
Peak Candelas (cd)	45	45	45
CRI	81	81	81
Dimmable	No	No	No
Retrofit	Yes	Yes	Yes
Power Factor	0.50	0.50	0.50
Start Time (s)	0.10	0.10	0.10
Warm-up Time (s)	Instant full light	Instant full light	Instant full light
Length (mm)	89	97	92
Width (mm)	36	35	36
Depth (mm)	36	35	36
Mercury (mg)	0	0	0

Unit D2 Kennetside, Bone Lane
NEWBURY, BERKSHIRE

T: 01635 523 713 E: sales@kosnic.com W: <http://www.kosnic.com>

Clean-up instructions	N/A	N/A	N/A
Rated Power (W)	4.00	4.00	4.00
Rated Luminous Flux (lm)	380	380	380
LMF at Lifetime	0.75	0.75	0.75
SDCM of CCT	<6	<6	<6
Ambient Temperature (°C)	-20 to 40	-20 to 40	-20 to 40

Product Markings

	KFLM04CND/B22-FRS-N27-K	KFLM04CND/E14-FRS-N27-K	KFLM04CND/E27-FRS-N27-K
Manufacturer	Kosnic	Kosnic	Kosnic
Product Code	KFLM04CND/B22-FRS-N27-K	KFLM04CND/E14-FRS-N27-K	KFLM04CND/E27-FRS-N27-K
Voltage	220-240Vac 50-60Hz	220-240Vac 50-60Hz	220-240Vac 50-60Hz
Nominal Power (W)	4	4	4
Current (mA)	35	35	35
CE Mark	Yes	Yes	Yes
WEEE Mark	Yes	Yes	Yes
Batch Code	Yes	Yes	Yes

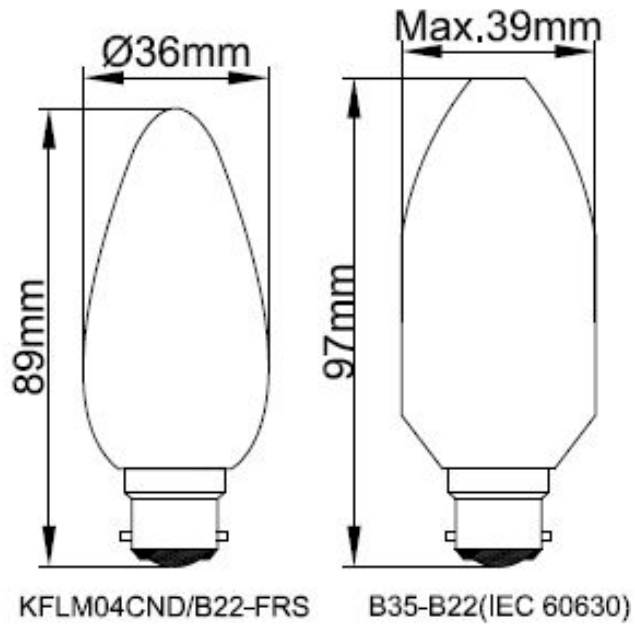
Energy Label

	KFLM04CND/B22-FRS-N27-K	KFLM04CND/E14-FRS-N27-K	KFLM04CND/E27-FRS-N27-K
Manufacturer	Kosnic	Kosnic	Kosnic
Product Code	KFLM04CND/B22-FRS-N27-K	KFLM04CND/E14-FRS-N27-K	KFLM04CND/E27-FRS-N27-K
Energy Class	A++	A++	A++
Energy Consumption (kWh/1000h)	4	4	4

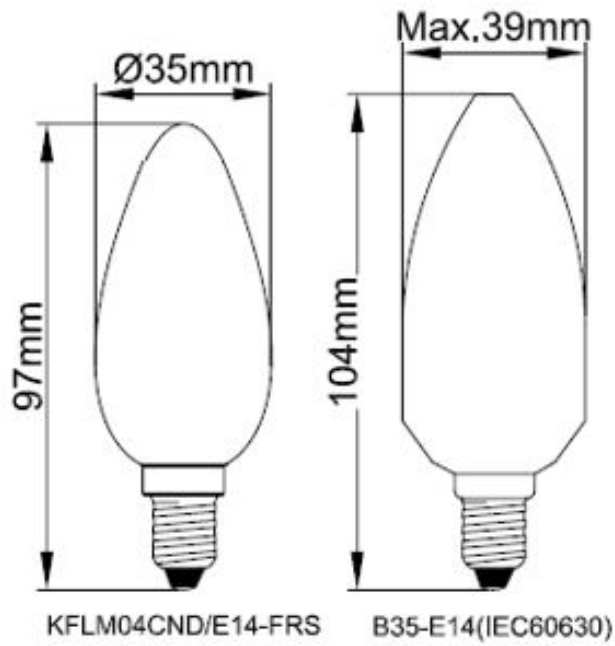
Packaging

	KFLM04CND/B22-FRS-N27-K	KFLM04CND/E14-FRS-N27-K	KFLM04CND/E27-FRS-N27-K
UPC Code	0609207995852	0609207995869	0609207995876
Outer Box Length (mm)	455	455	455
Outer Box Width (mm)	220	220	220
Outer Box Height (mm)	155	155	155
Volume	0.0155155	0.0155155	0.0155155
Box Quantity	50	50	50
Outer Box Weight (kg)	2.2	2.2	2.2

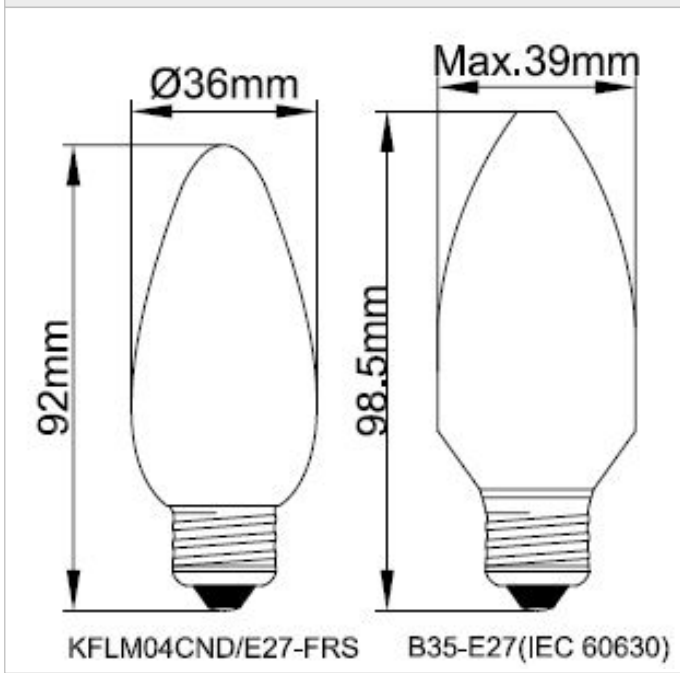
KFLM04CND/B22-FRS-N27-K



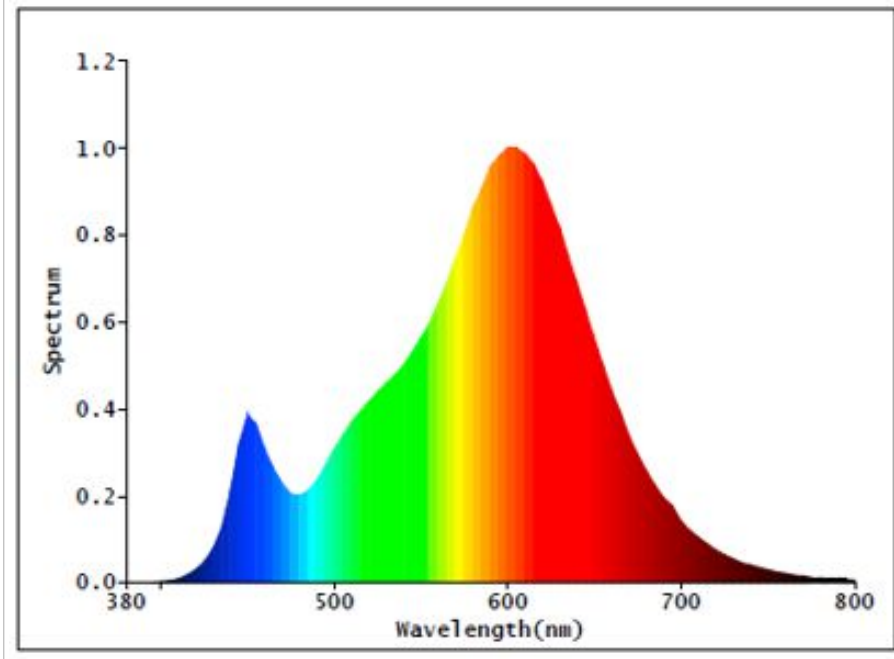
KFLM04CND/E14-FRS-N27-K



KFLM04CND/E27-FRS-N27-K



KFLM04CND/B22-FRS-N27-K
KFLM04CND/E14-FRS-N27-K
KFLM04CND/E27-FRS-N27-K



Datasheet generated from <http://www.electrika.com> last updated Friday, November 17, 2017 3:10:19 PM

Unit D2 Kennetside, Bone Lane
NEWBURY, BERKSHIRE

T: 01635 523 713 E: sales@kosnic.com W: <http://www.kosnic.com>