

Outdoor motion detectors

LC-Click-N 200 UK 2.000 W



white, Part No. 93042

brown, Part No. 93052

black, Part No. 93062

Product Information

- Motion detector with 200° detection area and 180° anti-creep zone
- Can be mounted on standard flush-mount boxes
- Adjustable ball head
- Detection area can be restricted with blinds
- Simple mounting thanks to plug base

Technical Data

Voltage:	110 - 240 V AC 50 / 60 Hz
Dimensions:	103 x 78 x 80 mm
Power consumption:	approx. 0.4 W
Detection area:	horizontal 200°
Range:	max. 12 m across max. 4 m towards max. 2 m anti-creep
Monitored area (tangential movement):	209 m ² / 2.5 m Mounting height
Mounting height min./max./recommended:	2 m / 3 m / 2.5 m
Degree / class of protection:	IP54 / Class II

Ambient temperature: -25 °C to +50 °C
Housing: Polycarbonate, UV-resistant

Channel 1 (lighting control)

Switching power: 2000 W, $\cos \varphi = 1$
 1000 VA, $\cos \varphi = 0.5$
 300 W LED

Type of contact: 1x μ -contact, NO contact

Follow-up time: 4 sec - 20 min

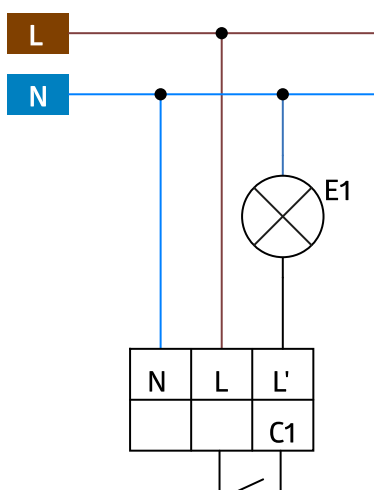
Switch-on threshold: 2 - 2000 Lux

Description

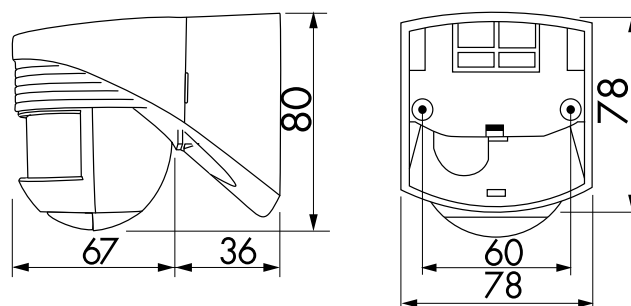
Description	Colour	Part number	EAN number
LC-Click-N 200 UK 2.000 W	white	93042	4007529930425
LC-Click-N 200 UK 2.000 W	brown	93052	4007529930524
LC-Click-N 200 UK 2.000 W	black	93062	4007529930623

Accessory

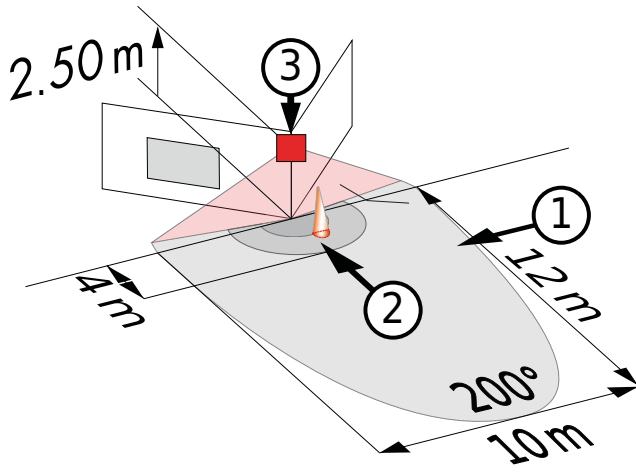
Description	Colour	Part number	EAN number
Wire basket BSK (\varnothing 164 x 143 mm)	white	92467	4007529924677
RC-Arc extinction kit	white	10880	4007529108800
Mini-RC-Arc extinction kit	black	10882	4007529108824



Wiring diagram



Dimensions



Range diagram

- 1: Walking across
- 2: Walking towards
- 3: Anti-creep zone