

## Outdoor motion detectors

## LC-plus 280



white, Part No. 91008

brown, Part No. 91018

black, Part No. 91028

silver, Part No. 91048

## Product Information

- Motion detector with downward detection for gapless monitoring
- Adjustable ball head
- Additional functions can be set up using the optional remote control.
- Easy mounting thanks to plug base
- Detection area can be restricted with blinds
- Special socket for external corner mounting included
- Factory settings 3 min and 20 lux

**Application examples:** monitoring of two sides of a building, entrances, (in translation), (in translation).

## Technical Data

<b>Voltage:</b>	110 - 240 V AC 50 / 60 Hz
<b>Dimensions:</b>	110 x 68 x 78 mm
<b>Power consumption:</b>	approx. 0.24 W
<b>Detection area:</b>	horizontal 280°
<b>Range:</b>	max. 16 m across max. 9 m towards
<b>Monitored area (tangential movement):</b>	313 m <sup>2</sup> / 2.5 m Mounting height
<b>Mounting height min./max./recommended:</b>	2 m / 3 m / 2.5 m

<b>Degree / class of protection:</b>	IP54 / Class II
<b>Ambient temperature:</b>	-25 °C to +50 °C
<b>Housing:</b>	Polycarbonate, UV-resistant
<b>Channel 1 (lighting control)</b>	
<b>Switching power:</b>	2000 W, $\cos \varphi = 1$ 1000 VA, $\cos \varphi = 0.5$ 300 W LED
<b>Type of contact:</b>	1x $\mu$ -contact, NO contact
<b>Follow-up time:</b>	15 sec - 16 min, Pulse
<b>Switch-on threshold:</b>	2 - 2500 Lux

---

## Description

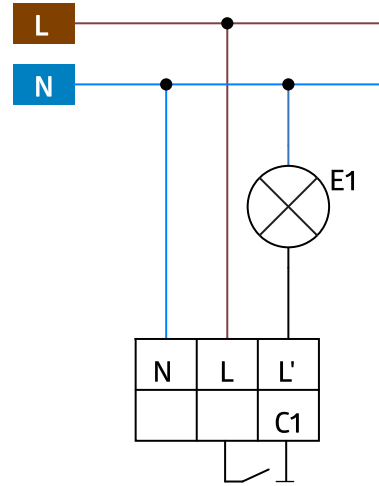
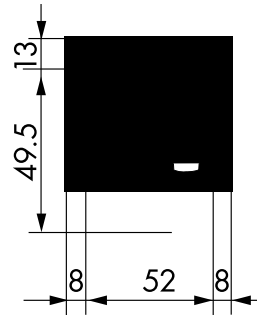
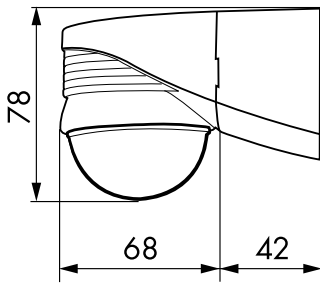
Description	Colour	Part number	EAN number
LC-plus 280	white	91008	4007529910083
LC-plus 280	brown	91018	4007529910182
LC-plus 280	black	91028	4007529910281
LC-plus 280	silver	91048	4007529910489

---

## Accessory

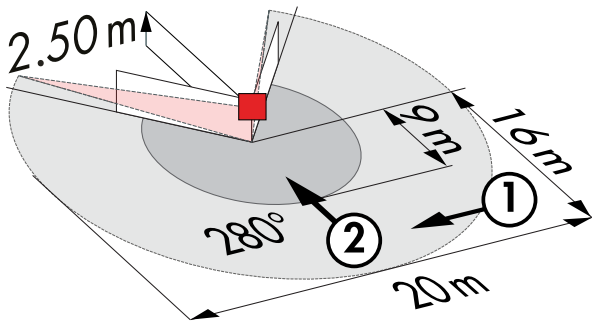
Description	Colour	Part number	EAN number
IR-LC-Mini	-	92093	4007529920938
IR-LC-plus	-	92095	4007529920952
IR-Adapter for Smartphones	black	92726	4007529927265
Wire basket BSK (Ø 164 x 143 mm)	white	92467	4007529924677
RC-Arc extinction kit	white	10880	4007529108800
Mini-RC-Arc extinction kit	black	10882	4007529108824

---



Dimensions

Wiring diagram



Range diagram

- 1: Walking across
- 2: Walking towards