



## **KPWL1.5PEN**

1.5W LED Pen Light, 40000hrs, 6500k



## **Product Overview**

The Kosnic Rechargeable LED Penlight is a compact useful light source for work and for the home when a temporary light source is required. The 1.5W Penlight includes a high capacity lithium-ion battery allowing the main light to work continuously for 3.5 hours or the torch beam to work continuously for 4.5 hours. The Penlight includes a pocket clip with an integrated magnet moulded into the top.

# Features

120 lm main side light / 80 lm torch beam

Class III, IP20

USB charging lead (charger not supplied)

Charging indicator

Main side light or torch beam

Pocket clip with integrated magnet

High impact ABS housing (IK07)

Polycarbonate lens

Instant start.

Negligible UV output

Mercury free

# Specifications

|                                 |                                    |
|---------------------------------|------------------------------------|
| <b>Power (W)</b>                | 1.5                                |
| <b>Current (mA)</b>             | 357                                |
| <b>Voltage</b>                  | 4.2 Vdc                            |
| <b>CCT Temperature (k)</b>      | 6500                               |
| <b>CCT Name</b>                 | Day Light                          |
| <b>Rated Lifetime (hrs)</b>     | 40000                              |
| <b>Switch Cycles</b>            | 20000                              |
| <b>Beam Angle (°)</b>           | 120 (main) 15 (torch)              |
| <b>CRI</b>                      | 81                                 |
| <b>Dimmable</b>                 | No                                 |
| <b>IP Rating</b>                | IP20                               |
| <b>Class Protection</b>         | Class III                          |
| <b>IK Rating</b>                | IK07                               |
| <b>Warm-up Time (s)</b>         | Instant full light                 |
| <b>Width (mm)</b>               | 22                                 |
| <b>Height (mm)</b>              | 170                                |
| <b>Depth (mm)</b>               | 26                                 |
| <b>Weight (kg)</b>              | 0.057                              |
| <b>Mercury (mg)</b>             | 0                                  |
| <b>Rated Luminous Flux (lm)</b> | 120 (main) 80 (torch)              |
| <b>LMF at Lifetime</b>          | 0.75                               |
| <b>Ambient Temperature (°C)</b> | -10 to 40                          |
| <b>Operating Modes</b>          | 3.5 hours (main) 4.5 hours (torch) |
| <b>Battery Voltage (V)</b>      | 3.7                                |
| <b>Battery Capacity (mAh)</b>   | 750                                |

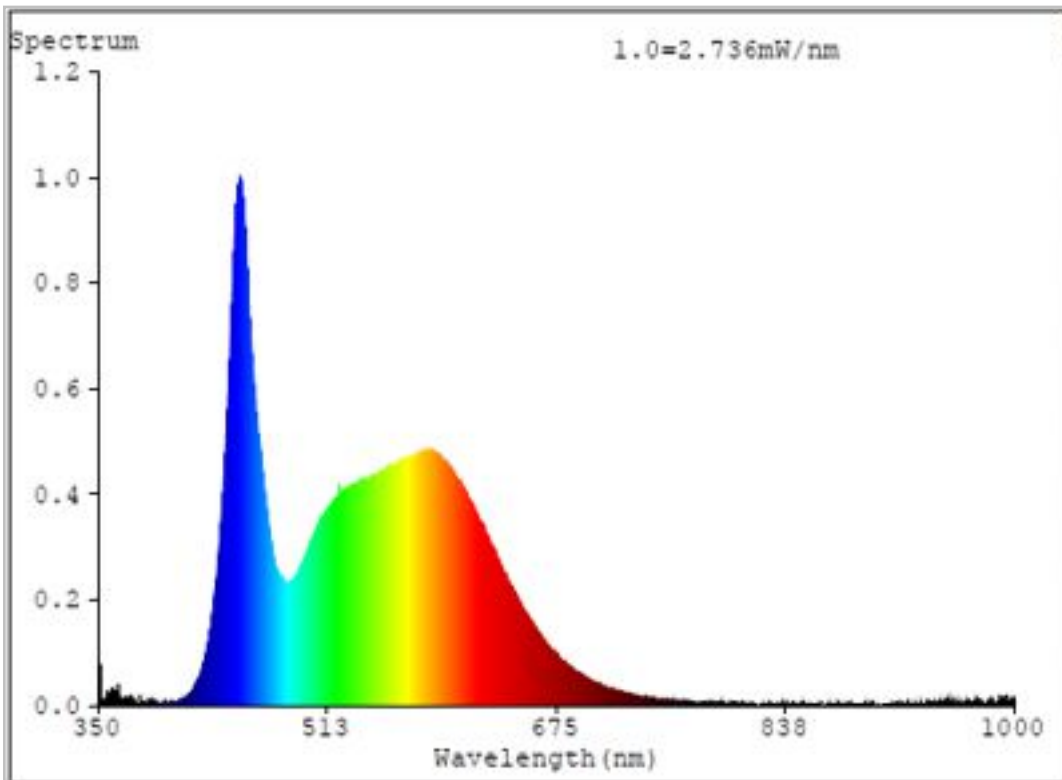
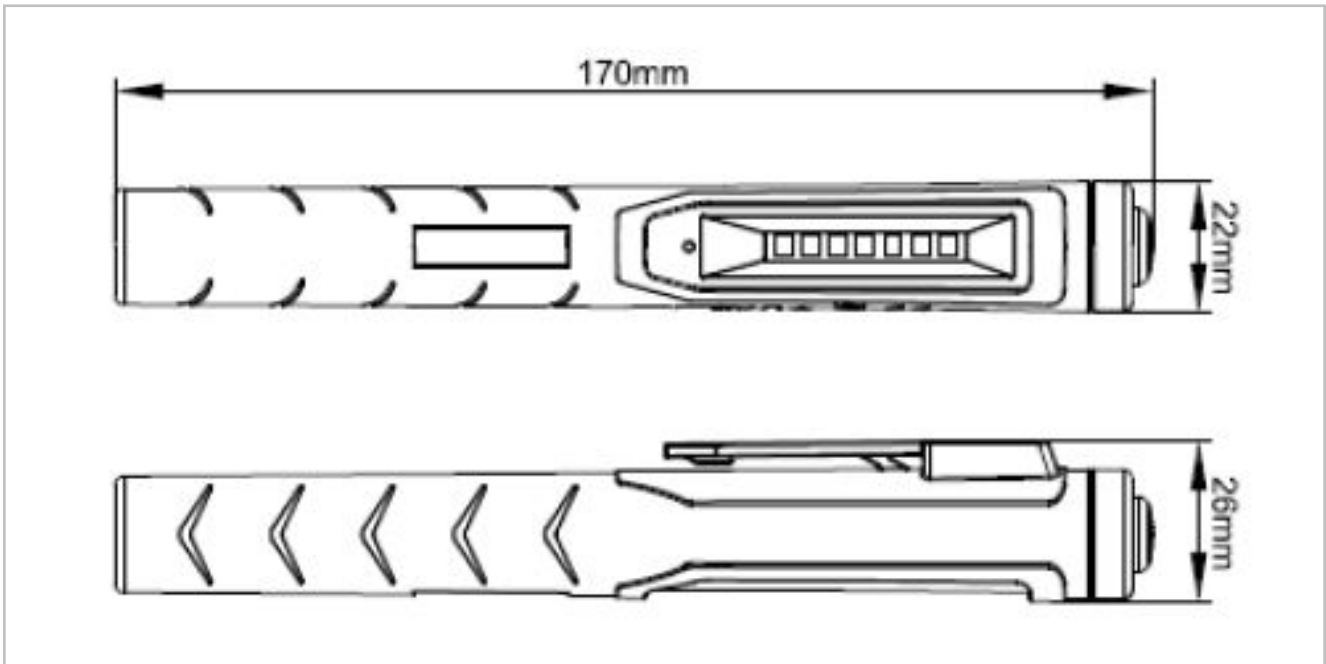
Unit D2 Kennetside, Bone Lane  
Newbury, Berkshire

T: 01635 523 713 E: sales@kosnic.com W: <http://www.kosnic.com>

Battery Type Lithium-Ion

USB Charging Input Voltage 5 Vdc


Charging Time (hrs) 2.5 (at 1.0A)



Datasheet generated from <http://www.electrika.com> last updated Thursday, August 30, 2018 3:48:27 PM

Unit D2 Kennetside, Bone Lane  
Newbury, Berkshire


T: 01635 523 713 E: [sales@kosnic.com](mailto:sales@kosnic.com) W: <http://www.kosnic.com>

 This luminaire contains built-in LED lamps.

The lamps cannot be changed in the luminaire.

**Kosnic** (Product Code)

874/2012



A++  
A+  
A  
B  
C  
D  
E

LED

