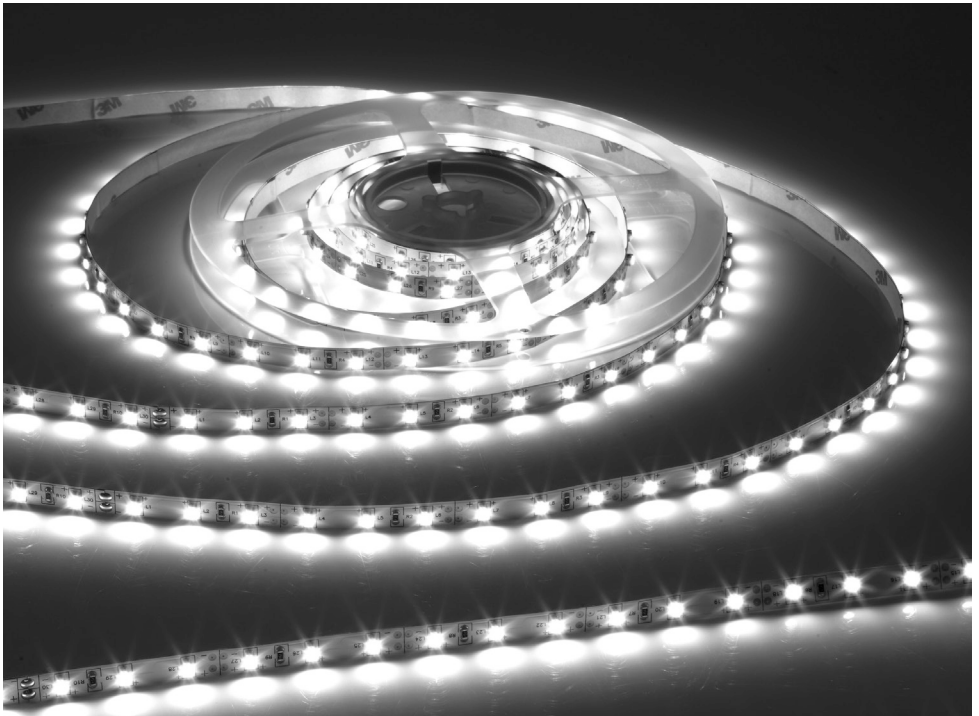


## INSTALLATION & MAINTENANCE MANUAL LED FLEX SINGLE COLOUR



## GENERAL INSTRUCTIONS

These instructions should be read carefully and retained after installation by the end user for future reference and maintenance.

These instructions should be used to aid installation of the following products:

For all MLA's standard 12V / 24V DC LED Flex, which includes:

LEDFS12WW / LEDFS12DL / LEDFH24WW / LEDFH24DL / LEDFN12WW / LEDFN12DL / LEDFN12B / LEDFN12G / LEDFN12R / LEDFN212WW / LEDFN212DL / LEDFN24WW / LEDFN24DL

## SAFETY

- Installation of this product should only be carried out by a qualified electrician or competent person to the current Building and IEE Wiring Regulations (BS7671)
- Please isolate mains prior to installation/maintenance
- Check the total load on the circuit (including when this product is fitted) does not exceed the rating of the circuit cable, fuse or circuit breaker
- Please note the IP (Ingress of Protection) rating of this product when deciding the location for installation
- This product is Class III
- This product is IP20 rated
- This product is dimmable when used with LEDFR1 or LEDFR7 dimming controllers

## INSTALLATION

**Note** - The use of an amplifier is recommended for installations above 10 metres, as voltage drop may occur

- Provide power to the point of installation
- Decide on the desired layout of the LED Flex taking into consideration the following:
  - a) The cables are long enough to connect to the driver
  - b) The LED Flex is not going to be installed in a position where it is at risk of being cut, trapped or damaged
  - c) The total maximum length does not exceed the max power rating of the LED driver (see website for more details)
- When cutting the LED Flex, ensure it is only cut along the line indicated between the copper connections, approximately every 50mm (for 12V) and 100mm (for 24V) along the strips' length (see Fig 1)

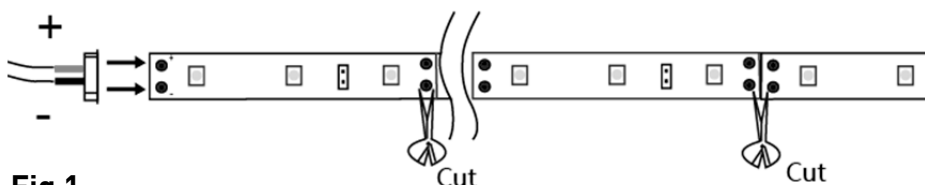
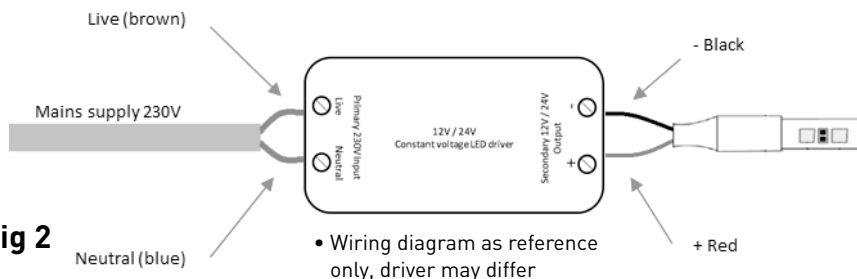


Fig 1

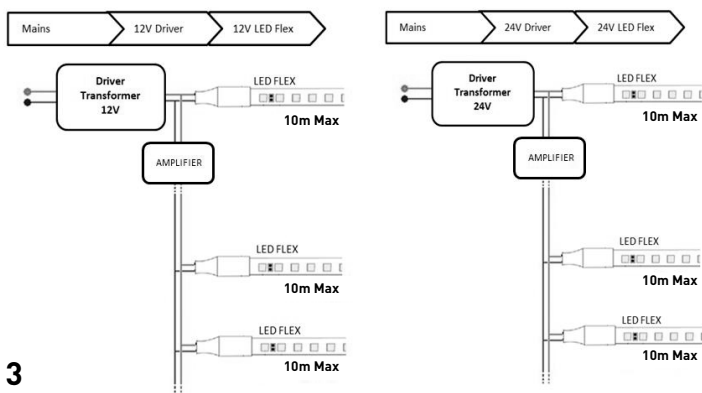
- The LED Flex is provided with self-adhesive backing - ensure the surface application is clean and dust free before installation
- Ensuring correct polarity is observed, connect the 230V mains supply to the primary side of the 12/24V constant voltage driver, Live (brown), Neutral (blue)
- Terminate the 12V or 24V LED Flex to the secondary side of the driver ensuring correct polarity is observed (+ Red) (- Black) (see Fig 2)



- Switch on power and test for correct operation

### Light Connection

The maximum distance that can be run is 10m for both 12V and 24V LED flex when connected in series (see Fig 3). To power additional LED flex (depending on LED driver capacity) it is recommended that a signal amplifier is used to avoid volt drop and increase signal strength. This should be connected in parallel up to the maximum power of the LED driver and dependent on controller (if applicable) being used.



**Fig 3**

## WARNING

This product must be disconnected from the circuit if subjected to any high voltage or insulation resistance testing. Irreparable damage will occur if this instruction is not followed.

## GENERAL

The unit should be recycled in the correct manner when it reaches the end of its life. Check local authorities for where facilities exist.

Clean with a soft dry cloth only, do not use aggressive cleaning products or solvents which may damage the product.

## WARRANTY

This product has a warranty of 3 years from date of purchase. Failure to install this product in accordance with the current edition of the IEE Wiring Regulations, improper use, or removal of the batch codes will invalidate the warranty. If this product should fail within its warranty period it should be returned to the place of purchase for a free of charge replacement. ML Accessories does not accept responsibility for any installation costs associated with the replacement product. Your statutory rights are not affected. ML Accessories reserve the right to alter product specification without prior notice.

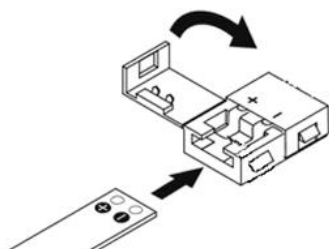
## CONNECTION ACCESSORIES

The LED Strip connectors can be used for reattaching the separate segments of cut-to-size strip lights.

### Compatible connectors;

- CONSS2P – Flexible connection joining 2 LED strips together
- CONFLEX2P - Flexible connection joining 2 LED strips together
- CON2P – Rigid connection joining 2 LED strips together
- CONT2P – Rigid connection joining 3 LED strips together
- CONX2P – Rigid connection joining 4 LED strips together

Open and close



### INSTALLATION

- Open the cap to solderless connector
- Slide the LED Flex end, with the LEDs facing up, all the way into the solderless clamp
- Close the hinged clamp
- Ensure correct polarity on both sides as marked on the LED Flex



ML Accessories Limited  
LU5 5TA

[www.mlaccessories.co.uk](http://www.mlaccessories.co.uk)

SBDEC17\_V1