

QuietAir QT150

Kitchen



Key Features

- Axial fan
- Two speed ventilation up to 260 m³/hr
- Quiet, noise level as low as 35 dB(A)
- Power consumption from only 6w
- Very low SFP of 0.09 W/l/s, IP45 rating
- Interval timer for routine auto extraction
- Long life ball-bearing motor 40,000 hours
- Integral flow straightener / backdraught flap
- Powerful extraction for longer ducts
- Variable speed control version
- Install in a kitchen / light commercial
- Complies with Building Regulations
- 3 year warranty

QT150 range

The powerful performance QuietAir 150 is designed to provide extraction levels that exceed the requirements of the latest Building Regulations. Ideal for kitchens and larger rooms.

QuietAir, is a range of elegant, discreet axial fans that are supremely quiet. By using exceptionally low energy they help to reduce carbon emissions but also save on your electricity bill.

Operated by a range of control options including basic switching, timer, humidity and variable speed control.

Room refresh (interval timer) enables automatic extraction at pre-set times if required.



Models

Basic	Control by remote switch
Timer	Timer can be set to run on for 6,10,15 or 21 minutes
Humidity Timer	Humidity sensor can be set between 60 - 90% RH
Variable speed	Controlled by remote switch

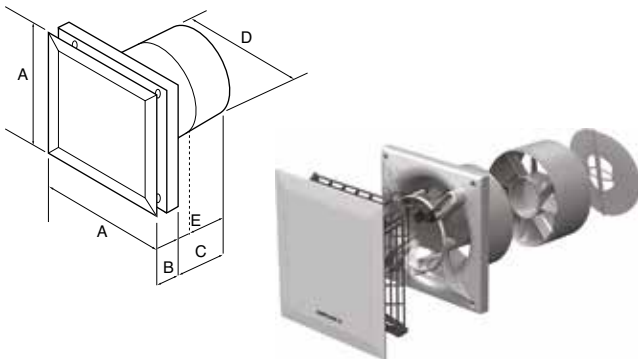


Technical Data

Specification	QuietAir QT150B	QuietAir QT150T	QuietAir QT150HT	QuietAir QT150VS
Air flow m ³ /hr*	220 / 260	220 / 260	220 / 260	50 - 260
Air flow l/sec*	61 / 72	61 / 72	61 / 72	13 - 72
Fan type	Axial	Axial	Axial	Axial
Controls	Basic	Timer	Humidity Timer	Variable Speed
Mounting	Wall / Ceiling	Wall / Ceiling	Wall / Ceiling	Wall / Ceiling
Sound pressure dB(A)@3m	35/39	35/39	35/39	35/39
Delay start (sec's)	No	0,45,90,120	0,45,90,120	No
Adjustable timer (mins)	No	6,10,15,21	6,10,15,21	No
Adjustable humidity (%RH)	-	-	60 - 90	-
Interval timer, auto start (hrs)	-	0,8,12,24	-	-
Power watts	6/10	6/10	6/10	6/10
Amps	0.07/0.12	0.07/0.12	0.07/0.12	0.07/0.12
Specific Fan Power (SFP)	0.09/0.13	0.09/0.13	0.09/0.13	0.09/0.13
Building Regulations ADF	Yes	Yes	Yes	Yes
Duct Diameter (mm)	145	145	145	145
Voltage	230v / 1ph / 50Hz	230v / 1ph / 50Hz	230v / 1ph / 50Hz	230v / 1ph / 50Hz
Rating	IP45	IP45	IP45	IP45
Max ambient temperature	40°C	40°C	40°C	40°C
Weight (kg)	1.2	1.2	1.2	1.2
Dimensions (H x W x D) mm	210 x 210 x 190	210 x 210 x 190	210 x 210 x 190	210 x 210 x 190
Part No.	90000454	90000455	90000456	90000458
Variable speed controller				90000514*

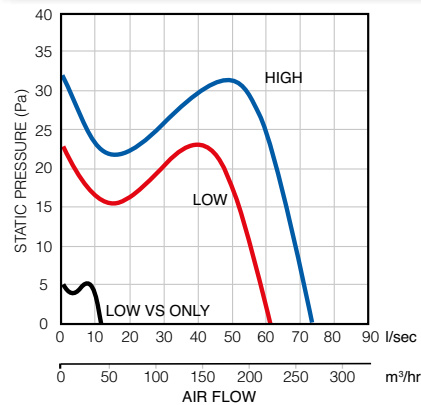
* refer to accessories section.

Dimensions (mm)



Model	A	B	C	D	E
QuietAir QT150	210	48	142	145	76

Performance



Controls and Accessories

A range of accessories including flexible and rigid ducting kits, controls, switches and grilles are available.

Call: 01494 560800

Visit: airflow.com



Airflow Developments Limited
Aidelle House, Lancaster Road,
Cressex Business Park,
High Wycombe, Buckinghamshire,
United Kingdom, HP12 3QP

E-mail: info@airflow.com
Telephone: +44 (0) 1494 525252

airflow.com

© Airflow Developments Limited. Airflow Developments Limited reserve the right, in the interests of continuous development, to alter specifications without prior notice. All orders are accepted subject to our conditions of sale which are available on request.

