



KMHD100CHB

100w LED Circular Suspended Highbay Luminaire, 40000hrs



Product Overview

Kosnic's Echo High Bay luminaire provides energy savings and high performance, replacing conventional lighting in general industrial areas, manufacturing, warehousing, leisure facilities and retail environments. The Echo High Bay is supplied with an eyelet designed for suspension mounting and has the option of a polycarbonate shade. Suspension chain not supplied.

Features

High 12200 lumen output with efficiency of 122lm/W

Class I, IP65, IK10

Diecast aluminium body

Polycarbonate shade option

Suspension installation

Long life of 40,000h

Instant start

Negligible UV output

Mercury free

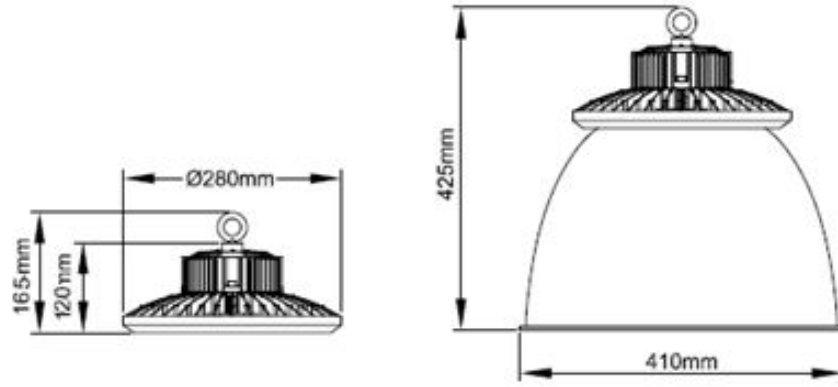
Specifications

	KMHD100CHB-F50
Power (W)	100
Total Lumens (lm)	12200
Input Current (mA)	458
Input Voltage	220-240Vac 50-60Hz
CCT Temperature (k)	5000
CCT Name	Day Light
Rated Life (hrs)	40000
Switch Cycles	50000
Beam Angle (°)	50
CRI	83
Dimmable	No
Power Factor	0.95
IP Rating	IP65
Class Protection	Class I
IK Rating	IK10
Connection	Supply cable with tails - 0.9m H05RN-F 3x1.0mm ²
Start Time (s)	0.40
Warm-up Time (s)	Instant full light
Depth (mm)	165
Diameter (mm)	280
Weight (kg)	2.6 (without shade)
LMF at Lifetime	0.75
Ambient Temperature (°C)	-20 to 40

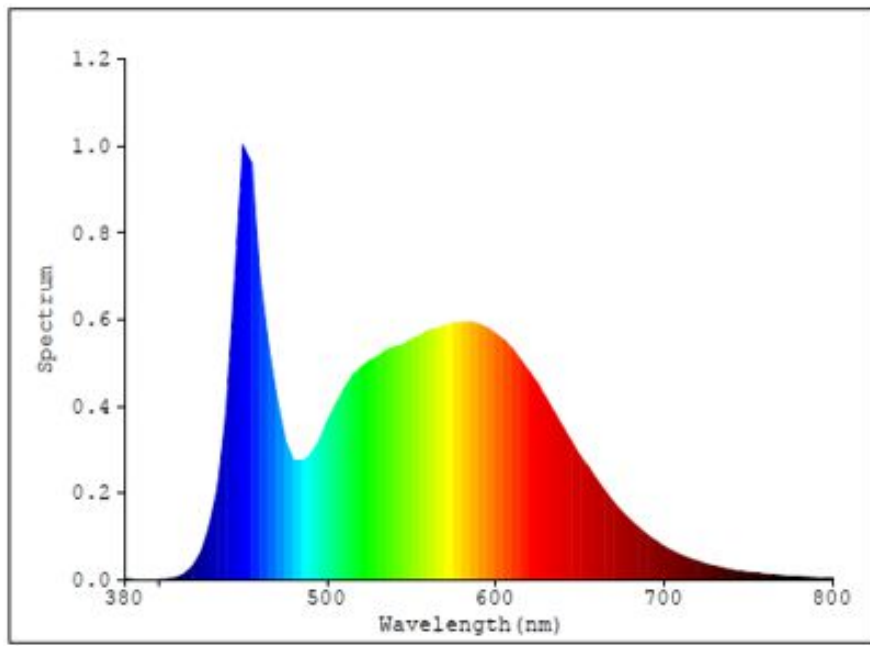
Unit D2 Kennetside, Bone Lane
Newbury, Berkshire

T: 01635 523 713 E: sales@kosnic.com W: <http://www.kosnic.com>

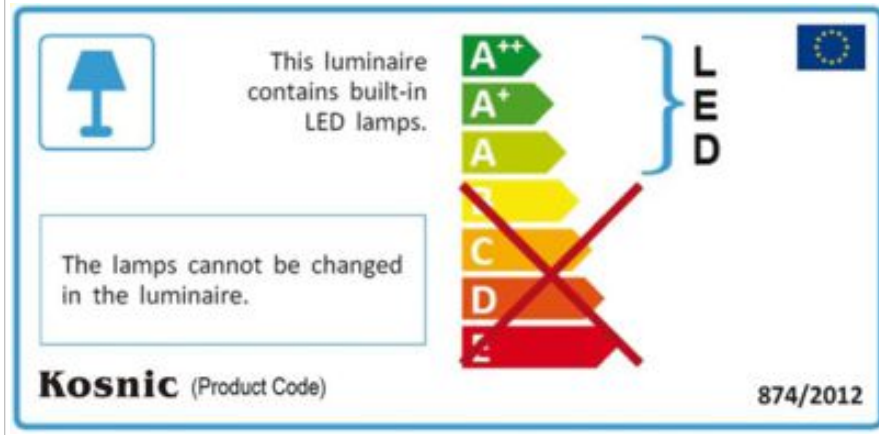
KMHD100CHB-F50



KMHD100CHB-F50



KMHD100CHB-F50



Datasheet generated from <http://www.electrika.com> last updated Tuesday, May 15, 2018 11:27:58 AM