



Technical Support: 0161 655 5600



Easy Start

Congratulations on your purchase of the SecuPlace Wi-Fi Security System kit.

**In the kit, you have 1 x Door Contact, 3 x Wireless PIRs and 1 x Wireless Remote Fob
These devices are already enrolled ready to use.**

**Zone 1 = Door contact – Front Door – Entry/Exit
Zone 2 = PIR – Hall – Walk Through/Follower
Zone 3 = PIR – Lounge – Immediate/Normal
Zone 4 = PIR – Kitchen – Immediate/Normal**

**Default Installer/Engineer code = 1111
Default Customer/User code = 1234**

Depending on your use of this product, you may be required to visit one of the sections below in order to tailor the product to your requirements.

To enrol additional devices, see 'Step 5 - Registering Components' in the Quick Start Guide.

To default the panel and start again:

1. Press [✓][1][1][1][1]
2. Press [9][7][2] [✓]

Note: Only do this if you wish to start again.



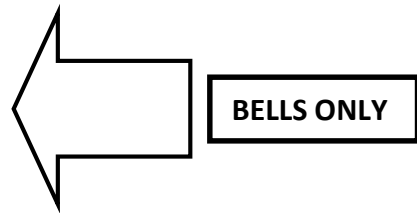
Technical Support: 0161 655 5600

Setting the Clock:

1. Press [✓][1][1][1][1]
2. Press [7][✓]
3. To set the Time, press [1]. Enter time and press [✓]
4. To set the Date, press [2]. Enter date and press [✓]
5. Press [✗][✗][✗][✗]

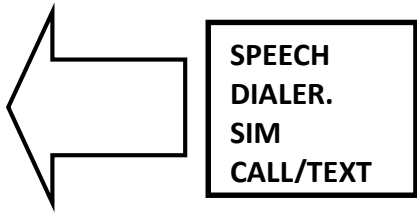
Basic Operation – No Wi-Fi, No SIM card:

1. Press [✓][1][1][1][1]
 2. Press [9][5][1] (Accounts)
- For "Account 1", change 'Protocol' to 'SMS Contact ID'*
3. Press [1][2] change to 'SMS Contact ID' then press [✓]
- For "Account 1", change 'Interface' to 'GSM'*
4. Change to 'GSM', then press [✓][✗][✗][✗][✗][✗][✗]



Enable Alert upon Alarm by Phone call or SMS:

1. Press [✓][1][1][1][1]
2. Press [9][5][1] (Accounts 2-6)
3. Select Account 2-6 and press [✓]
3. Press [1], Enter Phone Number and press [✓]
4. Select [Voice Report] or [SMS Follow Me] and press [✓]
5. Select [GSM] and press [✓][✗]
6. Press [✗][✗][✗][✗][7][14] [✓] (System Restart)



Using with ELAS (Apps/Web): Enable Internet Communication (by SIM CARD)

1. Power off and remove battery and fit SIM card
2. Power up
3. Press [✓][1][1][1][1]
4. Press [9][5][7][6][1] (APN)
5. Enter APN for the SIM you have inserted. By default, it is written "mobiledata" ready for supplied SIM. A different operator SIM will require a different APN name.
6. Press [✓][✗][✗][✗][✗][✗][✗]

USING WITH SMART PHONE/APP

Using with ELAS (Apps/Web): Enable Internet Communication (by Wi-Fi)

1. Press (and HOLD) [*] for 5 seconds
2. If prompted, enter code
3. Select "Scan Wi-Fi", press [✓] and wait...
4. Select your Wi-Fi name and press [✓]
5. Enter your Wi-Fi password and press [✓]
6. Press [✓] for 'Save?'

USING WITH SMART PHONE/APP

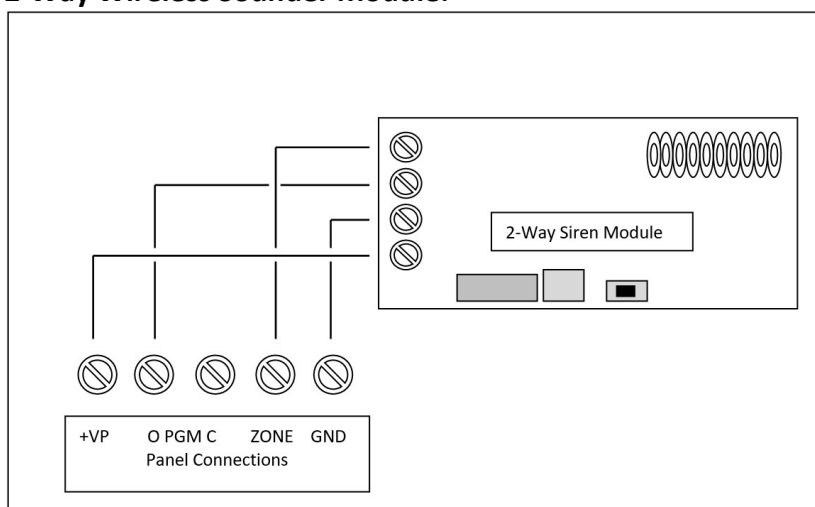


Technical Support: 0161 655 5600

Using with ELAS (Apps/Web): Register for use with Apps/Web

1. Browse to www.myelas.com
2. Click [Register]
3. Fill in details and chosen password together with the 15 digits from the Panel ID sticker
5. After clicking [Register], you will receive an email with a link to click
6. After clicking the received link, you can you your details to login to either www.myelas.com or the MyELAS App; from Google Play Store or Apple App Store

2-Way Wireless Sounder Module:



a. Wireless Sounder - Enrolling

Once the module is powered up, the Red and Green LEDs will be flashing fast to indicate 'Enrolling Mode'.

Note: If the Red and Green LEDs are not flashing fast, hold down the 'Test Button' for 7 seconds.

With no batteries fitted to the Wireless Sounder, hold down (close) the Wireless Sounder tamper switch.

While the Tamper switch is held down, fit one single battery to the far right battery holder.

Once the battery is fitted and within 7 seconds, release and press again the Wireless Sounder tamper switch. Repeat this up to five times.

Note: The Wireless Sounder red LED will illuminate on every Tamper switch release.

The Module LED will now be solid (if the lid is closed) or flashing Red/Amber if the lid is open indicating that enrolment has been successful.

Fit the remaining batteries.

b. Wireless Sounder - Signal Testing

Momentarily press the 'Test Switch'

The Green LED will indicate the signal strength (4 Flashes = Best, 1 Flash = Poor)

c. Wireless Sounder - Deleting

Hold down the 'Test Button' for 7 seconds.

Fit and close the module housing – The green LED should now be on solid indicating all is good



Technical Support: 0161 655 5600

Cloud connection via SIM:

1. Press [✓] Engineers Code (1111 By default) and go to number [9] (Programming), [5] (Communications), [1] (Accounts).
2. Press [✓] for ACCOUNT 1 and make sure PHONE NUMBER is blank and change PROTOCOL to "IP PROTOCOL" and INTERFACE to GPRS.
3. Press the [✕] key back to "5. COMMUNICATIONS", go into communications and down to number "7. INTERNET" and go into "1. PROXY ADDRESS".
4. When into proxy address, check that you see www.riscocloud.com OR "www.myelas.com"
5. Press [✓], "XML PROXY" is 33000
6. Press [✓], "CP ID" should be blank
7. Press [✓], "CP Password" should be blank
8. Press [✓], "ELAS CONNECT" should be enabled
9. Press [✓], so it shows "7. INTERNET / 6. GPRS OPTIONS"
10. Press [✓], it should show "6 GPRS OPTIONS, 1. APN"
11. Press [✓] and ensure APN shows as "MOBILEDATA" (no speech marks)
12. Press [✓] and then press [✕] until you come out of programming.
13. Press [✓] "Engineers Code (1111 By default) and go to number [7] (Servicing) and then scroll down to number "14" (System Reset) and press [✓]. This will reboot the panel only and will not change any of your settings.
14. Once the panel restarts press [✓] Engineers Code (1111 By default) and press [7], [9], [1] for GSM Signal Level and check not zero.
15. Press [✕] to exit.