



KTEC4.5PWR

Tec 2, GU10, 4.5W



Product Overview

The Kosnic GU10 lamps are perfect for home and hospitality settings. The lamps are a direct retrofit for standard halogen GU10 lamps and deliver the same aesthetics and ambient light as halogen, while allowing the customer to significantly reduce energy costs. Perfect for hospitality settings such as restaurants, bars and hotels where ambience is an essential factor.

Features

High efficiency of up to 100lm/W.

50W halogen equivalent

Save energy up to 92% compared with halogen lamp

Direct replacement of GU10 halogen lamp

High CRI > 80

Long life of 30,000h

Instant start

Negligible UV output

Specifications

	KTEC4.5PWR/GU10-S27 ^[1]	KTEC4.5PWR/GU10-S40 ^[1]	KTEC4.5PWR/GU10-S65 ^[1]
	KTEC4.5PWR/GU10-F27 ^[2]	KTEC4.5PWR/GU10-F40 ^[2]	KTEC4.5PWR/GU10-F65 ^[2]
Fitting	GU10	GU10	GU10
Shape / Type	PAR16	PAR16	PAR16
Wattage (w)	4.5	4.5	4.5
Equivalent Wattage (w)	50	57	57
Useful Lumens (lm)	340	390	390
Total Lumens (lm)	400	450	450
Input Current (mA)	36	36	36
Input Voltage	220-240Vac 50-60Hz	220-240Vac 50-60Hz	220-240Vac 50-60Hz
CCT Temperature (k)	2700	4000	6500
CCT Name	Warm White	Cool White ^[1] Cool white ^[2]	Daylight
Rated Life (hrs)	30000	30000	30000
Switch Cycles	50000	50000	50000
Peak Candelas (cd)	500 ^[1] 350 ^[2]	500 ^[1] 350 ^[2]	500 ^[1] 350 ^[2]
Beam Angle (°)	38 ^[1] 60 ^[2]	38 ^[1] 60 ^[2]	38 ^[1] 60 ^[2]
CRI	82	85	85
Dimmable	No	No	No
Retrofit	Yes	Yes	Yes
Power Factor	0.54	0.54	0.54
Start Time (s)	0.40	0.40	0.40
Warm-up Time (s)	Instant full light	Instant full light	Instant full light

Ambient Temperature (°C)	-20 to 40	-20 to 40	-20 to 40
---------------------------------	-----------	-----------	-----------

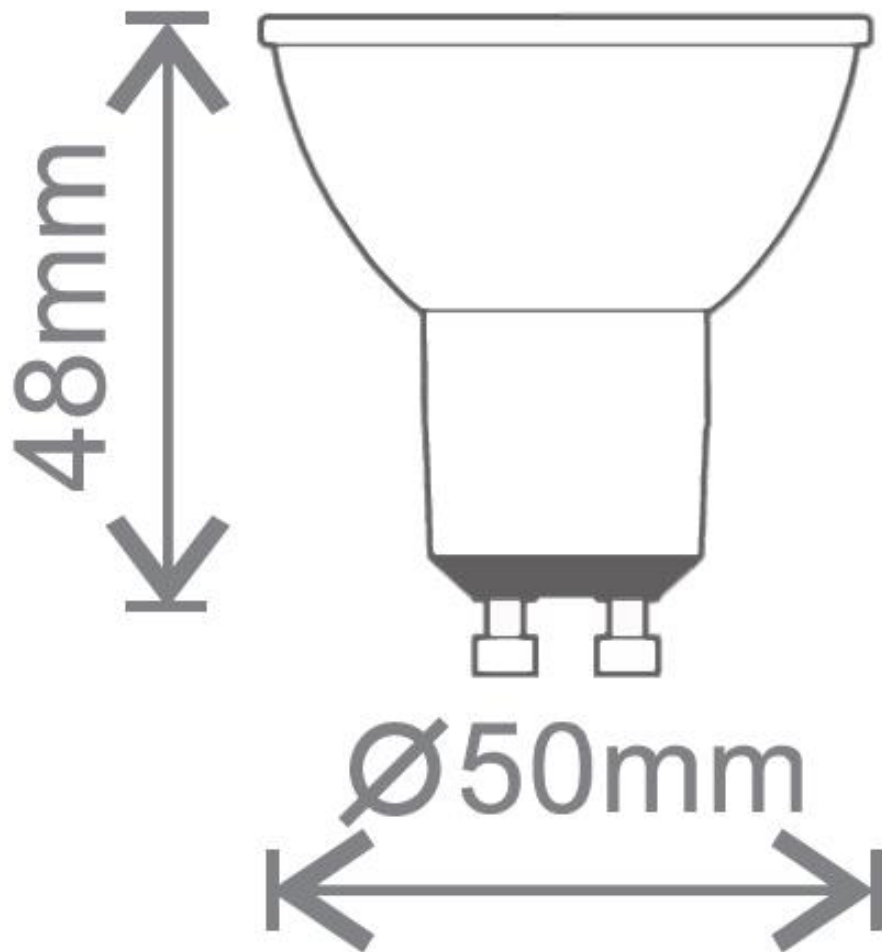
Product Markings

	KTEC4.5PWR/GU10-S27 ^[1]	KTEC4.5PWR/GU10-S40 ^[1]	KTEC4.5PWR/GU10-S65 ^[1]
	KTEC4.5PWR/GU10-F27 ^[2]	KTEC4.5PWR/GU10-F40 ^[2]	KTEC4.5PWR/GU10-F65 ^[2]
Product Code	KTEC4.5PWR/GU10-S27 ^[1]	KTEC4.5PWR/GU10-S40 ^[1]	KTEC4.5PWR/GU10-S65 ^[1]
	KTEC4.5PWR/GU10-F27 ^[2]	KTEC4.5PWR/GU10-F40 ^[2]	KTEC4.5PWR/GU10-F65 ^[2]
Beam Angle (°)	38 ^[1] 60 ^[2]	38 ^[1] 60 ^[2]	38 ^[1] 60 ^[2]

Energy Label

	KTEC4.5PWR/GU10-S27 ^[1]	KTEC4.5PWR/GU10-S40 ^[1]	KTEC4.5PWR/GU10-S65 ^[1]
	KTEC4.5PWR/GU10-F27 ^[2]	KTEC4.5PWR/GU10-F40 ^[2]	KTEC4.5PWR/GU10-F65 ^[2]
Product Code	KTEC4.5PWR/GU10-S27 ^[1]	KTEC4.5PWR/GU10-S40 ^[1]	KTEC4.5PWR/GU10-S65 ^[1]
	KTEC4.5PWR/GU10-F27 ^[2]	KTEC4.5PWR/GU10-F40 ^[2]	KTEC4.5PWR/GU10-F65 ^[2]
Energy Class	A+	A++	A++
Energy Consumption (kWh/1000h)	5	5	5

KTEC4.5PWR/GU10-S27
KTEC4.5PWR/GU10-S40
KTEC4.5PWR/GU10-S65
KTEC4.5PWR/GU10-F27
KTEC4.5PWR/GU10-F40
KTEC4.5PWR/GU10-F65



Datasheet generated from <https://www.electrika.com> last updated Tuesday, April 30, 2019 11:44:42 AM