



Technical Data

Round Pin And Export Socket Outlets

Brief product description:

A sleek and slim design with softly rounded corners will compliment any interior décor - suitable for domestic or commercial installations.

Will accept BS, USA & CEE plugs

Features:

- Fixed integrated plastic gasket to protect metal edges from moisture
- Stylish modern profile
- Available in 4 metal finishes
- Colour matched fixing screws
- Colour coded terminals for easy installation

Product Images

Black Nickel



NBN28B



NBN29B

NBN99B

NBN98B

NBN27B

Polished Chrome



NPC28W



NPC29W

NPC99W

NPC98W

NPC27W

Polished Brass



NPB28B



NPB29B

NPB99B

NPB98B

NPB27B

Brushed Steel



NBS28G



NBS29G

NBS99G

NBS98G

NBS27G



NBS28W



NBS29W

NBS99W

NBS98W

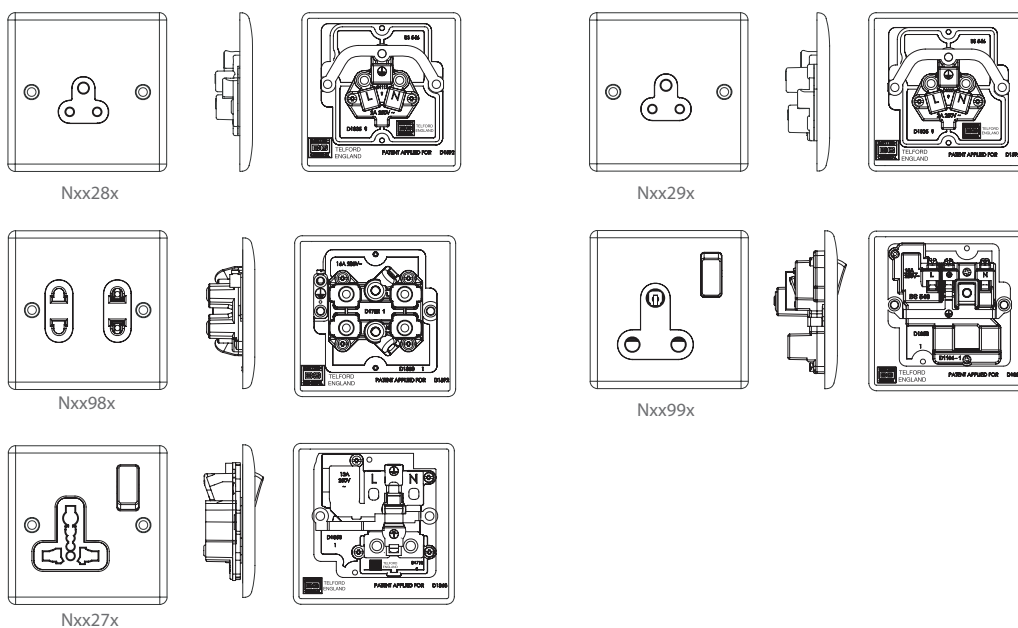
NBS27W

Round Pin And Export Socket Outlets

Technical Specifications

Standard(s)	BS 546
Rating	2 Amp 250V~
Terminal Capacity	4 x 1.0mm ² 3 x 1.5mm ² 1 x 2.5mm ² 1 x 4.0mm ²
RoHS Directive	No
WEEE Directive	No
Mounting Box Depth(Min)	25mm (Nxx28x, Nxx29x, Nxx98x products) 35mm (Nxx99x product)
Fixing Centres	60.3mm
Size	86mm x 86mm x 24mm (Nxx28x product) 86mm x 86mm x 23.6mm (Nxx29x product) 86mm x 86mm x 31mm (Nxx99x product) 86mm x 86mm x 25.2mm (Nxx98x product)

Line Diagrams



Weights & Dimensions

Cat No.	Description	Pack Quantity			Dimension (W x L x H) cm			Weight (g)			CMB (m ³)
		Each	Inner Box	Outer Box	Product	Inner Box	Outer Box	Each	Inner Box	Outer Box	Outer Box
Nxx28x	2A 1G, USW SKT	1	5	50		18 x 19 x 12	36.8 x 61 x 20				0.044896
Nxx29x	5A 1G, USW SKT	1	5	50		18 x 19 x 12	36.8 x 61 x 20				0.044896
Nxx99x	15A 1G, SW SKT	1	5	50		18 x 19 x 12	36.8 x 61 x 20				0.044896
Nxx98x	16A 2G Euro SKT	1	5	50		18 x 19 x 12	36.8 x 61 x 20				0.044896
Nxx27x	13A 1G UNI SKT	1	5	50		18 x 19 x 12	36.8 x 61 x 20				0.044896

Round Pin And Export Socket Outlets

Packaging Information

Cat No.	Description	Barcode			Cat No.	Description	Barcode		
		Individual	Inner Box	Outer Box			Individual	Inner Box	Outer Box
NBS28G	2A 1G, USW SKT	5050765018906	5050765019279	5050765019644	NBS99G	15A 1G, SW SKT	5050765018920	5050765019293	5050765019668
NBS28W	2A 1G, USW SKT	5050765028424	5050765028431	5050765028448	NBS99W	15A 1G, SW SKT	5050765028486	5050765028493	5050765028509
NPC28W	2A 1G, USW SKT	5050765020015	5050765020381	5050765020756	NPC99W	15A 1G, SW SKT	5050765020039	5050765020404	5050765020770
NPB28B	2A 1G, USW SKT	5050765021128	5050765021494	5050765021869	NPB99B	15A 1G, SW SKT	5050765021142	5050765021517	5050765021883
NBN28B	2A 1G, USW SKT	5050765023214	5050765023580	5050765023955	NBN99B	15A 1G, SW SKT	5050765023238	5050765023603	5050765023979
NBS29G	5A 1G, USW SKT	5050765018913	5050765019286	5050765019651	NBS98G	16A 2G Euro SKT	5050765018937	5050765019309	5050765019675
NBS29W	5A 1G, USW SKT	5050765028455	5050765028462	5050765028479	NBS98W	16A 2G Euro SKT	5050765028516	5050765028523	5050765028530
NPC29W	5A 1G, USW SKT	5050765020022	5050765020398	5050765020763	NPC98W	16A 2G Euro SKT	5050765020046	5050765020411	5050765020787
NPB29B	5A 1G, USW SKT	5050765021135	5050765021500	5050765021876	NPB98B	16A 2G Euro SKT	5050765021159	5050765021524	5050765021890
NBN29B	5A 1G, USW SKT	5050765023221	5050765023597	5050765023962	NBN98B	16A 2G Euro SKT	5050765023245	5050765023610	5050765023986
NBS27G	13A 1G UNI SKT				NPB27B	13A 1G UNI SKT			
NBS27W	13A 1G UNI SKT				NBN27B	13A 1G UNI SKT			
NPC27W	13A 1G UNI SKT					13A 1G UNI SKT			

Installation Information

Safety Warning

Before use please read carefully and use in accordance with these safety wiring instructions.

Before commencing any electrical work ensure the supply is **switched off at the mains**. Either by switching off the consumer unit or by removing the appropriate fuse.

Wiring should be in accordance with the latest edition of the IEE regulations (BS 7671).

Wire Identification – Twin & Earth Cable

EARTH = Green/Yellow Slewing

NEUTRAL = Black (pre Apr 04) / Blue (after Apr 04)

LIVE = Red (pre Apr 04) / Brown (after Apr 04)



Technical Helpline: 0845 194 7584
If in doubt consult a competent electrician.

The ends of the individual conductors should have the insulation removed by approx. 12mm. Any bare earth conductors should be sleeved to within 12mm of the ends. (These details are for general information only and conductor lengths may need to be trimmed in certain installations).

General Installation Instructions

- 1) If using the new product to replace an old one, note the cable connections and wire up new product in the same way as the old one, with Earthing as stated in these instructions.
- 2) Ensure the mounting box (metal or patress) for either flush or surface mounting is the appropriate size for the product.
- 3) Route the cable through the most suitable entry point of the mounting box. If a metal box is used, a protective cable grommet should be used.
- 4) Cables should be prepared so a sufficient conductor length reaches the terminals. Strip the ends of the individual conductors so that an adequate length enters the terminals.
- 5) Carefully arrange the wiring to lie along the edges of the product or box, keeping the central area clear.
- 6) To assist with the correct installation please consult the appropriate wiring diagram on this leaflet.
- 7) When connecting the new accessory ensure that only the bare end of the wire enters the terminal, and no bare wires are visible.

Always tighten the terminal screws securely, but do not overtighten.

An earth connection should always be made between the mounting box earth terminal, and the accessory earth terminal, where fitted. If this earth wire is bare, it is essential that it is sheathed with a length of green/yellow sleeving.

8) Carefully position the accessory into the wall box, ensuring that no wires are trapped between the plate and the wall. Do not overtighten the screws. (Fit screw covers + clip-on)

9) Once work has been completed correctly, replace the fuse for the circuit, switch the power back on, and test.

The product is now ready for use.

* Note - If your installation uses a four lug metal mounting box, remove the top and bottom lugs or bend fully back.

Decorative Front Plate Fixing

Fixing method varies depending on which product range is supplied. Always ensure wall surface is reasonably flat and smooth, with no bumps or projections.

Metal Front plates WITH screw fixing holes. These products comprise main unit with integral front plate and rear gasket. Fix unit to back box using two fixing screws supplied.

Front plates WITHOUT screw fixing holes. These products comprise main unit with integral gasket, and front plate as separate item. Fix unit to back box using two fixing screws supplied.

Clip front plate onto main assembly, ensuring screwdriver notch is located bottom right hand corner. To remove plate, place medium size flat bladed screwdriver in notch and lever off against gasket.

For all Decorative Plates - It is essential the gasket is fitted between product and wall, to reduce possibility of discolouration of front plate edges due to natural moisture in some wall finishes.

To keep the finish of this product, wipe over with soft cloth periodically.

All Decorative products MUST have an earth connection between the front-plate and back box

To maintain the high quality appearance of decorative finish switches and sockets, BG Electricals recommend the use of a soft cloth periodically to clean the front face. When installing a decorative product please ensure that the wall is decorated, finished and free of moisture prior to installation. Please note that it can take several weeks for the chemicals in paint or wallpaper paste to become inert. Before this time there is a danger that they will react with the product if it has a metal faceplate.

BG recommends avoiding using, but not restricted to, the substances from becoming in contact with the decorative metal front-plates when cleaning or decorating;

- Adhesive tape, including masking tape
- Solvents
- White spirit
- Multi surface cleaners
- Industrial multipurpose cleaning wipes
- Wet wipes

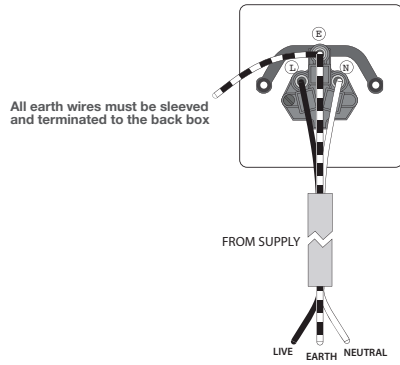
Using these items like those listed above may cause a degrading effect to the front-plates lacquer/plated finish, although the function will remain unaffected.

Round Pin And Export Socket Outlets

Installation Information

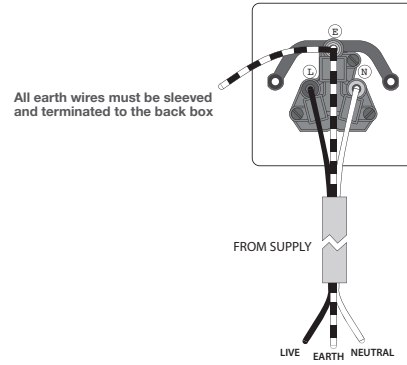
2 Amp Unswitched Socket

Connect the cables as shown in the diagram.



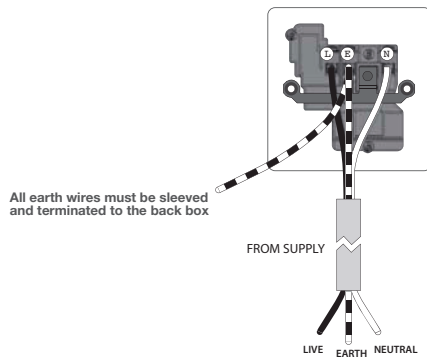
5 Amp Unswitched Socket

Connect the cables as shown in the diagram.



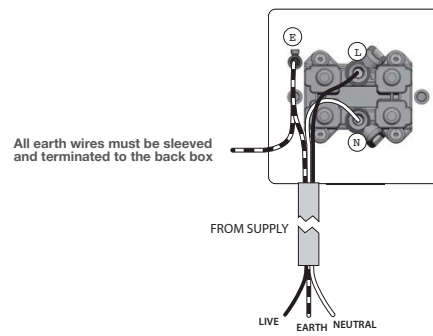
15 Amp Switched Socket

Connect the cables as shown in the diagram.



2 Gang Euro Socket

Connect the cables as shown in the diagram.



Universal Switched Socket

Connect the cables as shown in the diagram.

