

Q-Rad Electric Radiator



Key Features

- Modern panel design with upwards facing grille and radiant front panel
- Intuitive user controls with RGB backlit LCD display
- User programmable room temperatures with multiple seven-day timer profiles
- Electronic thermostat accurate to within 0.2°C
- Energy-saving technologies such as Adaptive Start and Open Window Detection
- Aesthetics to compliment Quantum storage heater
- Splash proof for use in bathrooms
- Complies with Lot 20 of ERP Directive

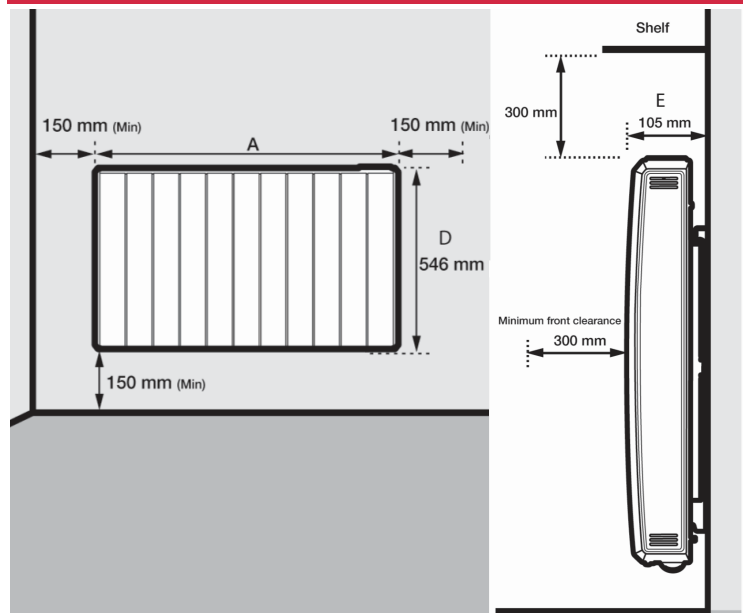
Product Description

Q-Rad features intuitive user controls, allowing the programming of multiple 7-day timer profiles via a backlit LCD display and capacitive buttons

Technical Details

Controls	Digitally controlled, Electronic Thermostat accurate to ($\pm 0.2^{\circ}\text{C}$). Setpoint range (7-30°C) Timer modes: 7 Day Programmable User Timer, Out All Day, Home All Day Continuous heat modes: Eco, Manual, Frost Protect. Additional modes: Away, Boost, Setback, Runback
Controller UI	<ul style="list-style-type: none"> • Graphical display with RGB backlight • Capacitive buttons with audio feedback • User replaceable battery (Coin-Type)
Controller Functions	<ul style="list-style-type: none"> • Open window detection • Adaptive-start, • Advance time period • Bluetooth for software updates • Child Lock & Heater Lock (PIN-based)
Construction	<ul style="list-style-type: none"> • Durable epoxy-polyester powder coated steel casing with louvered upward facing grille • Advanced controls with cap-sense technology for total flexibility of heating
Element	Compact, finned, mineral filled sheathed element
Installation	<ul style="list-style-type: none"> • 1 H-frame wall bracket for easy fixing
Safety	<ul style="list-style-type: none"> • Thermal cut-out. Auto reset type • Overheat detection
IP Rating	IP24
Battery Back-up	CR2032 Lithium Manganese Dioxide 3V coin cell battery to backup real time clock. Battery life > 5 years.
Supply	1.3 metres fitted, 3 core for fused spur installation, 1/N/PE ~230-240 V, 50Hz Class I, with earth wire
Colour / Finish	Metal Chassis, Air Outlet Grille & Control Moulding - Traffic White (RAL 9016)

Dimensions



Model/Item No.(EAN-Code 5011139+Item No.)	082367	QRAD050E 082374	QRAD075E 082381	QRAD100E 082398	QRAD150E 082404	QRAD200E
Output (kW)	0.50	0.75	1.00	1.50	2.00	
Height 'D' (mm)	546	546	546	546	546	
Width 'A' (mm)	513	513	675	756	918	
Depth 'E' (mm)	105	105	105	105	105	
Weight (Kg)	7.1	7.1	8.7	9.4	11.0	

Packaging Details

Height (mm)	635	635	635	635	635
Width (mm)	589	589	751	832	994
Depth (mm)	183	183	183	183	183
Packed Weight (Kg)	8.2	8.2	9.9	10.7	12.5
Ti	10	10	7	7	6
Hi	3	3	2	2	2
Pallet Quantity (2.4m high)	30	30	14	14	12

Warranty & Approvals

Approvals	CE, BEAB
Warranty	2 Years
Country of Origin	United Kingdom
Manufacturer	Glen Dimplex Heating & Ventilation (GDC Group Ltd)