

QXDE Quartzray Heater



Technical Details

Controls	Digitally controlled, electronic thermostat. Timer modes: 7 Day Programmable User Timer Continuous heat modes: Manual, Runback, Off
Controller UI	Off-board control only
Controller Functions	<ul style="list-style-type: none"> Open Window Detection Advance time period Heat Selection (High/Low) for 3/4.5kW models Bluetooth for control PIN Lock
Construction	Durable epoxy-polyester powder coated steel casing
Element	Ruby halogen element
Installation	Supplied with wall mounting bracket.
Safety	No cut-out on-board. Protection via RCD
IP Rating	No Rating
Battery Backup	None. Time and date must be re-programmed in event of power loss to the product
Supply	1.3 metres fitted, 3 core for fused spur installation, 1/N/PE -230-240 V, 50 Hz Class I, with earth wire
Colour / Finish	Powder coated steel, finished in Matte Black

Mode/Item No.(EAN-Code 5011139+Item No.)	060341 QXD1500E	060358 QXD3000E	060365 QXD4500E
Output (kW)	1.5	3.0	4.5
No. of Elements	1	2	3
Height (mm)	256	380	506
Width (mm)	440	440	440
Depth (mm)	70	70	70
Weight (kg)	3.7	4.3	5.8
Min. Installed Height (M)	2.1	2.5	3.0
Recommended Installed Height (M) - Dimension A	2.5	3.5	4.0
Dimension B—Throw	2.0	2.5	3.0
Dimension C—Spread	3.0	3.5	4.0

Packaging Details

Height (mm)	320	430	505
Width (mm)	520	500	555
Depth (mm)	200	200	185
Packed Weight (kg)	4	5.2	7
Ti	10	10	10
Hi	6	4	3
Pallet Quantity (2.4m high)	60	40	30

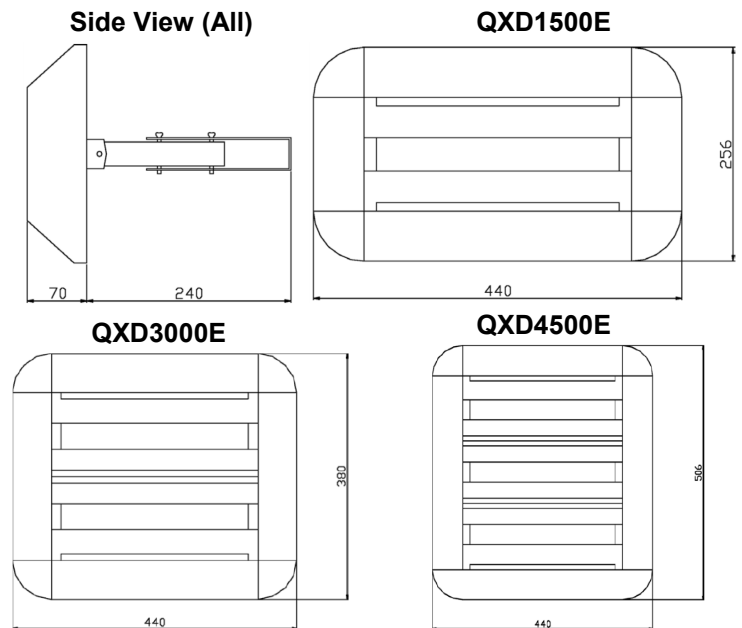
Product Description

QXDE features an electronic thermostat for temperature-based lamp power-on. The QXDE also features a built-in 7 day timer which can be set-up and activated via Bluetooth remote

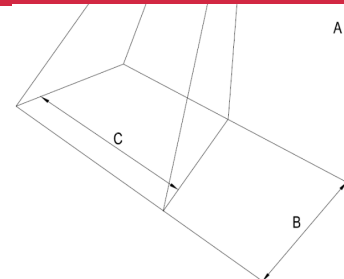
Key Features

- Seven-day timer and temperature control (programmed via additional remote)
- Electronic thermostat
- Features energy-saving Open Window Detection
- Same size and fixings as older Dimplex QXD heaters
- Available in three different sizes
- Complies with Lot20 of ERP Directive

Dimensions



Throw Dimensions



Warranty & Approvals

Approvals	CE, BEAB
Warranty	2 Years
Country of Origin	United Kingdom
Manufacturer	Glen Dimplex Heating & Ventilation (GDC Group Ltd)