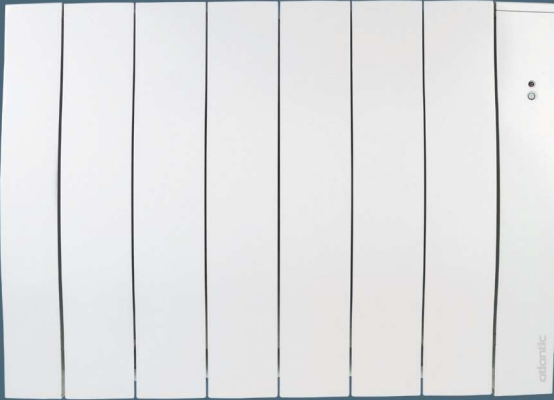


# Galapagos

Electric thermofluid radiator

2 YEAR WARRANTY



## COMFORT

- Homogeneous and gentle heat diffusion
- Thermofluid technology providing long-lasting soft heat
- Remote piloting through a smartphone or a tablet thanks to Cozytouch compatibility

## SAVINGS

- Up to 45% energy savings\* thanks to integrated programming and absence/presence sensor
- Smart Pilot functions memorising user's life rhythm & comfort requirements to drive optimal energy savings
- Open/closed window detection function switching to Anti-frost mode as soon as a window opens
- 6-command pilot wire: Comfort, Comfort - 1 °C, Comfort - 2 °C, Eco, Anti-frost, Off
- Energy consumption indicator for responsible & informed use of the equipment
- ErP-compliant

## USER-FRIENDLINESS

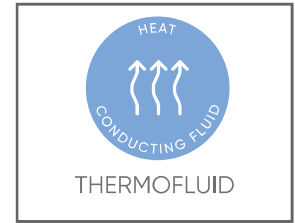
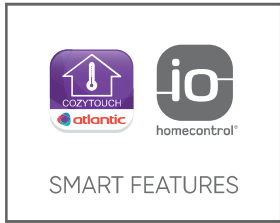
- LCD digital controls showing temperature and energy consumption
- ASP (Anti-Staining Process) to reduce staining on wall and equipment
- Easy to install: H-shaped vertical support
- Integrated programming



The Galapagos is a stylish, electric, fluid-filled radiator that distributes uniform heat from its entire surface using thermofluid technology. The Galapagos electric radiator has an AUTO mode which is an in-built smart control function that tracks the user's requirements and room occupancy and adapts heating accordingly as well as featuring open/closed window detection that switches the heater to a minimum output when a window is opened. The Galapagos has a stylish, curved aluminium front panel ideal for modern homes and kitchens. Available in white or anthracite



\* Compared to a mechanical convector

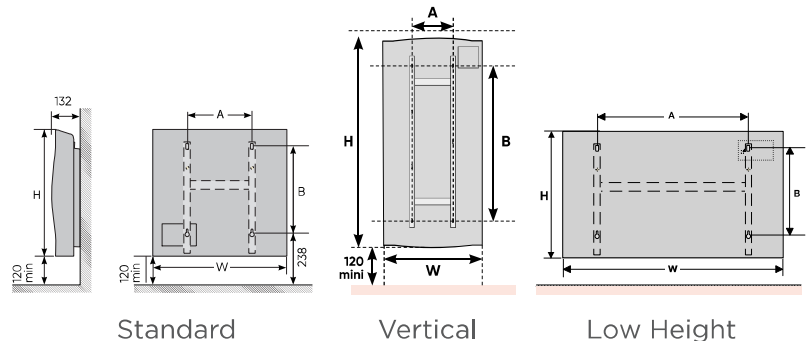


## Galapagos technical data

OUTPUT (W)	DEPTH (MM)	WIDTH (MM)	HEIGHT (MM)	WEIGHT (KG)	A	B	WHITE MODEL	ANTHRACITE
STANDARD								
750	132	670	590	12.4	300	354	AH500607	AH506144
1000	132	770	590	14.4	400	354	AH500610	AH506244
1250	132	970	590	18.4	600	354	AH500612	AH506344
1500	132	1070	590	20.4	700	354	AH500615	AH506444
2000	132	1370	590	26.4	800	354	AH500620	AH506544
VERTICAL								
700	133	771	388	11	400	158	AH502907	AH502144
1000	133	971	388	15	600	158	AH502910	AH502244
1400	133	1371	388	21	800	158	AH502915	AH502344
LOW HEIGHT								
1000	133	460	1290	24	320	1021	AH501310	AH501644
1500	133	460	1590	29	320	1321	AH501315	AH501744
1800	133	460	1800	33	320	1521	AH501320	AH501844



- 1 Aluminium front panel
- 2 Aluminium plates
- 3 Collectors with circulation of coolant fluid
- 4 Sheathed heating element
- 5 Room temperature sensor
- 6 Control unit
- 7 Control panel



Dimensions in mm.

We reserve the right to change specification without prior notice.  
Please check final dimensions with your local representative before purchase.