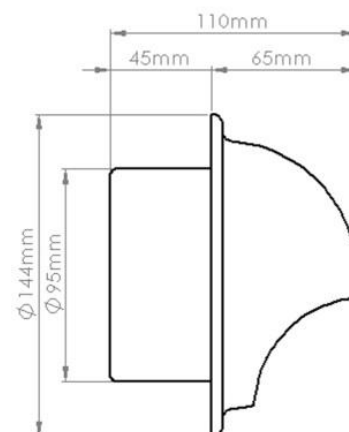
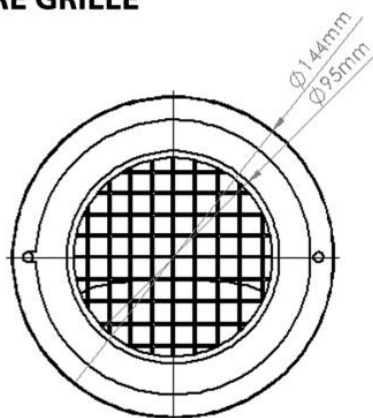


PRODUCT DATA SHEET

SS101

STAINLESS STEEL BULL NOSE VENT WITH WIRE GRILLE



SPECIFICATION DETAILS

The SS101 100mm diameter Stainless Steel Bull Nose with Wire Grille has a minimum free area of 5,613mm².

The SS101 has a bull nose design to reduce low levels of wind pressure against the fan.

SS101 is manufactured in compliance with Domestic Plastic Ductwork Specification DW/154 and does meet UL94HB flammability standard.

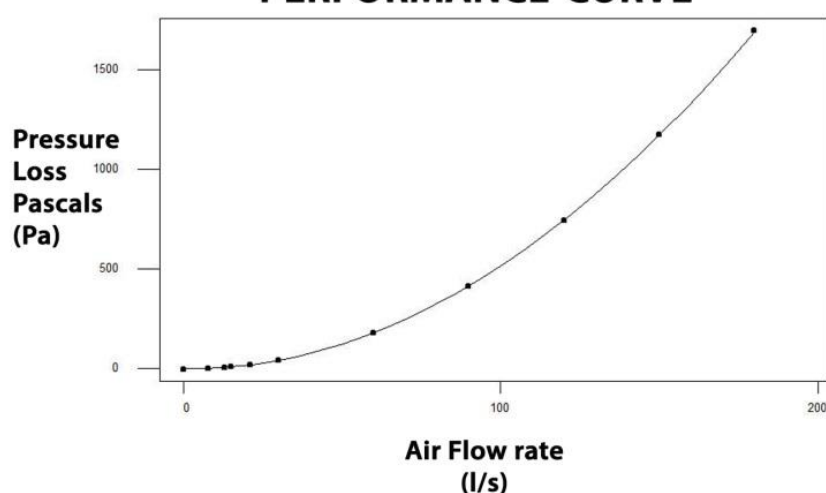
SS101 has been designed for use with Verplas System 100 Round.

Manufacturer:	Verplas Ltd
Part Number:	SS101
Size:	100mm Diameter
For use with:	Verplas System 100
Box quantity:	5
Individual Weight:	230g
Colour:	Silver

MAX/MIN OPERATING TEMPERATURES

+ 60°C to - 15°C

PERFORMANCE CURVE



AIRFLOW	RESISTANCE
8 l/s	3.60 pa
13 l/s	7.27 pa
21 l/s	20.35 pa
30 l/s	43.60 pa
60 l/s	181.60 pa
120 l/s	745.70 pa

Associated Ancillaries

