

Contact Details

Please note that some of the contact details on this PDF document may not be current.

Please use the following details if you need to contact us:

Telephone: 0844 879 3588

Email: customer.services@gdcgroup.co.uk

The customer support section of our website also features a wide range of information which may be of use to you and is available 24 hours a day. It includes:

- Operating and installation instructions
- Easy 'How to use' guides for storage heaters
- Service and repairs
- Where to buy our products
- Literature downloads
- Heating requirement calculator

Visit - www.dimplex.co.uk/support

Cold Watcher - Models MPH500 and MPH1000

08/16283/5 Issue. 5 Feb. 12

IMPORTANT: THESE INSTRUCTIONS SHOULD BE READ CAREFULLY AND RETAINED FOR FUTURE REFERENCE.

Dear Customer,

Please read the following information carefully before using the appliance for the first time for your own safety and to ensure correct use.

Attention! The appliance may only be used for normal domestic use and not for industrial purposes.

IMPORTANT SAFETY ADVICE

- The appliance must only be used as described in the instructions for use! Use for any other purpose is forbidden! Any damage resulting from improper use and non-observance of the safety information will invalidate any liability and warranty!
- All liability is disclaimed for any frost damage caused by a heating capacity that is insufficient for the room size, bad heat insulation of the room, incorrect use or force majeure (e.g. power failure).
- Only connect the appliance to A.C. mains as specified on the rating plate!
- Never touch live parts! **Danger to life!**
- Never operate the appliance with wet hands! **Danger to life!**
- The appliance must be placed in a way that the control elements cannot be touched by persons who are in bath, shower, or any other water-filled receptacle.
- Do not use the appliance in rooms with bath, shower or swimming pool or in the vicinity of wash basins or open water outlets (such as taps or sprinklers)!
- Do not expose the appliance to direct rainfall. The appliance is not for outdoor use unless sheltered under cover. The appliance must only be stored indoors!
- Never use the appliance if the appliance or cord is damaged. **Risk of injury!** Check the power cord regularly for damage. If the power cord or the appliance is damaged to the extent that electrical parts are exposed, disconnect it immediately from the mains and see your authorised retailer!
- **Improper repairs can expose the user to considerable danger.**
- **The appliance may only be opened up and repaired by authorised qualified personnel.**
- Do not store or use any flammable materials or sprays in the vicinity of the appliance when the appliance is in use. **Fire hazard!**
- Do not use the appliance in flammable atmospheres (e.g. in the vicinity of combustible gases or spray cans)! **Explosion and fire hazard!!**
- **Important!** Do not insert any foreign objects into the appliance openings! **Risk of injury** (electric shock) and damage to the appliance!
- The appliance air inlet and outlet openings must not be obstructed in anyway!
- Place the appliance so that it cannot be touched by accident. **Risk of burns!**
- **WARNING: IN ORDER TO AVOID OVERHEATING, DO NOT COVER THE HEATER.** The heater carries this Warning indicating that it must not be covered.
- The appliance is not intended for use by young children or infirm persons without supervision!
- Young children should be supervised to ensure that they do not play with the appliance!
- **Attention!** To avoid any danger due to unintentionally resetting the thermal cut-out, the appliance must not be supplied via a timer.
- The appliance is not suitable for animal breeding purposes!
- The instruction leaflet belongs to the appliance and must be kept in a safe place. When changing owners, the leaflet must be surrendered to the new owner!

GENERAL

Both models can be controlled by there variable thermostat which has a minimum setting suitable for frost protection. They are specially designed for use where localized heating is needed, or where a small heater is only necessary for general heating or frost protection.

These heaters are versatile and robust units ideal for greenhouses, lofts, garages, utility rooms, sheds, chalets, spare rooms, conservatories, airing cupboards, outside WCs, kiosks, checkouts, etc

Suitable for fixed mounting on the wall or floor, they can also be used free-standing in a vertical or horizontal position. For maximum heating effectiveness the heater should be positioned as low as possible within the area to be heated.

Note: If the heater is to be used unattended for long periods (e.g. in lofts) it should be permanently mounted in accordance with the fixing instructions given below.

HEATER DIMENSIONS AND MINIMUM OPERATING DISTANCES (see diagrams opposite)

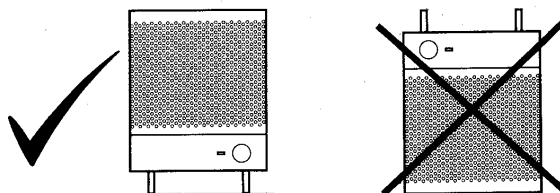
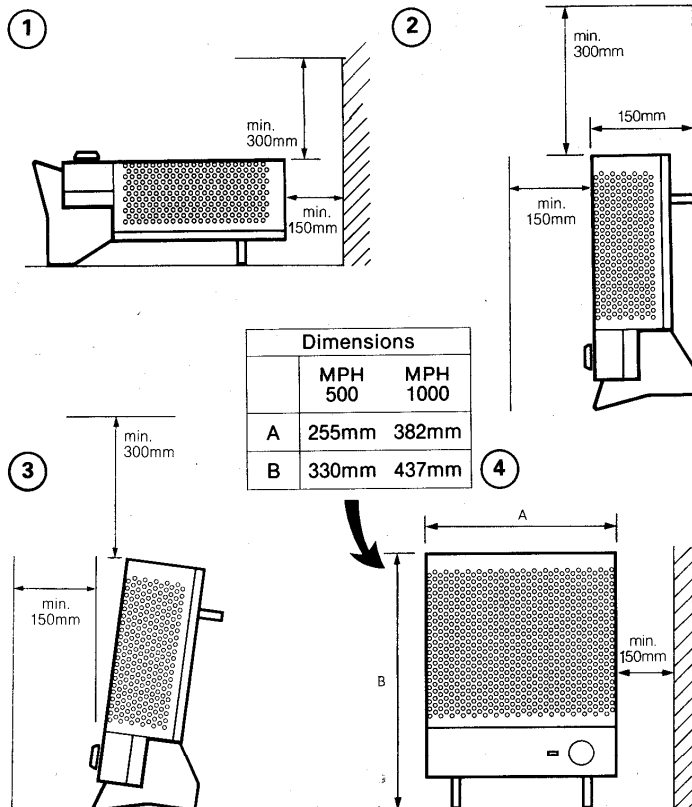
1. Horizontal mounting, fixed or portable:
Minimum horizontal distances from sides and end of heater to obstruction. Minimum vertical distance from top of heater to shelf or overhanging obstructions.
2. Wall mounting: Minimum vertical distance from top of heater to shelf or overhanging obstruction. Minimum horizontal distance from front of heater to obstruction.
3. Vertical mounting; portable operation:
Minimum vertical distance from top of heater to shelf or obstruction. Minimum horizontal distance from front of heater to obstruction.
4. Wall mounting or portable: Minimum horizontal distance to side wall or obstruction.

Note 1 - For maximum heating effectiveness the heater should be positioned at low level.

Note 2 - We recommend that the heater is not fitted into an unventilated enclosure which is less than 10 cubic feet.

IMPORTANT

If wall mounted the heater should be mounted only in the upright position with the control panel at the bottom.



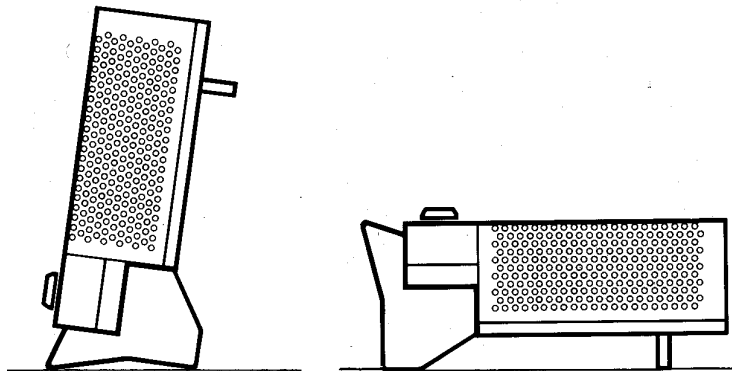
FREE STANDING/PORABLE USE

WARNING - THIS APPLIANCE MUST BE EARTHED

The electrical installation must be carried out by a competent electrician, and be in strict accordance with the current I.E.E. regulations for Electrical Equipment in Buildings.

The heater may be used free standing in either the upright or lay-flat position as shown. The heater incorporates a permanently fixed wall mounting bracket for use when the heater is installed as a fixed appliance, and which acts as a stand when in either position.

Reference should be made to the section "Heater Dimensions and Minimum Operating Distances" before use



FIXING THE HEATER

The heater may be fixed to the wall or floor using the fixing holes provided in the mounting frame. Please refer to the Section "Heater Dimensions and Minimum Operating Distances" before fixing the heater in position

Fixing to the Wall

WARNING - The heater must NOT be located immediately below a fixed socket outlet

The heater must be fixed only in the upright position with the control panel at the bottom. The position of the two upper fixing points should first be marked on the wall, at a horizontal distance of 100mm apart, Diagram A. Place the heater in position with the upper wall bracket notches against these fixing points to check that the heater complies with the "minimum operating distances". These two fixing points should then be drilled and plugged. Suitable round headed size 8 screws should be fixed in these positions to such a depth that the heater may be hung in position while the positions of the lower fixing holes are marked, Diagram B. The heater should then be removed while the lower fixing holes are drilled and plugged. Then the heater should be hung in position on the upper two screws while the lower two screws are tightened to hold the heater firmly on the wall. The tightness of the upper screws should be adjusted if necessary to ensure a firm fit.

Diagram A

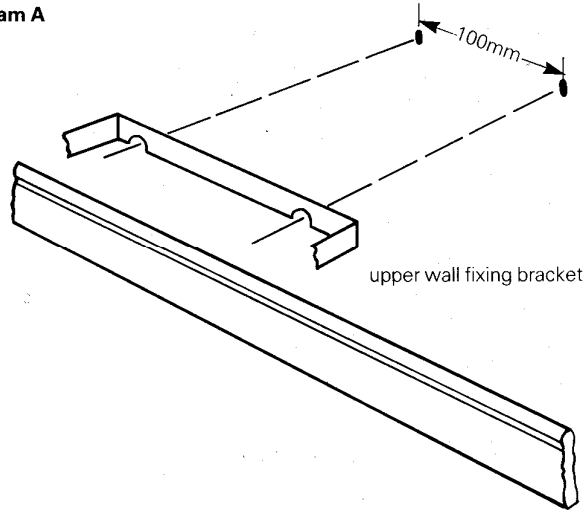
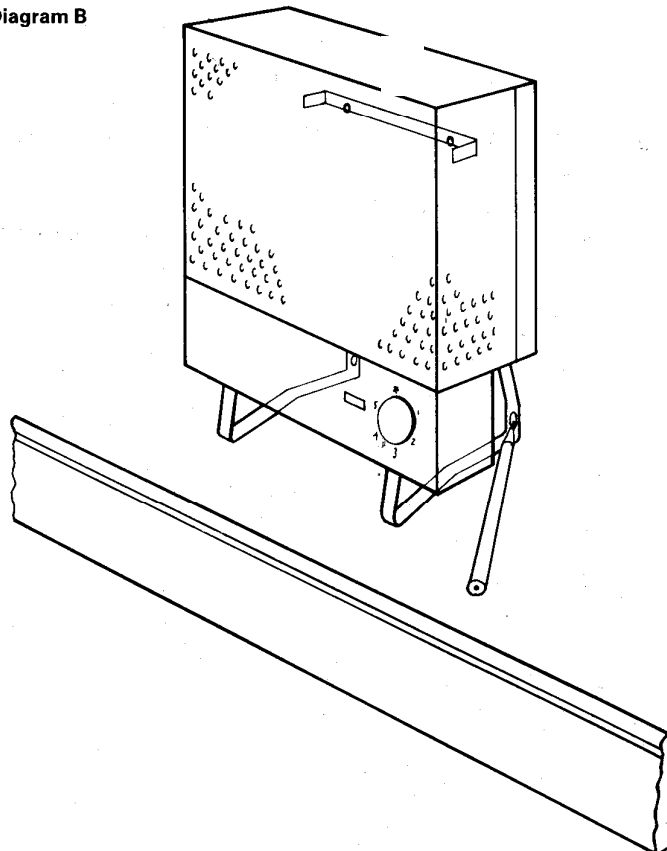


Diagram B



Fixing to the Floor

The heater may be fixed to the floor in the lay-flat position. Before fixing the heater in position place it in the desired position and check that it complies with the requirements described in the section "Heater Dimensions and Minimum Operating Distances".

For guidance on fixing the heater see the section on 'Fixing to the Wall'. The principles involved are the same.

USING THE CONTROLS

Neon Indicator

When your heater is plugged in and switched on at the mains, the neon indicator will glow showing that the heater is available for use, although the heating element may not be energized, depending on the setting on the thermostat knob:

Thermostat

The thermostat knob is calibrated with a scale marked * and 1 to 5. The lowest setting * is designed to switch on in a temperature range of approximately 3°C to Minus 5°C and is suitable for frost protect use.
(See section headed "Using the Heater for Frost Protection")

The other settings represent a range of temperatures dependent on a number of factors including the size of the area to be heated and the outside temperature. Actual settings should be found by experience for each set of conditions.

The heater will **not** emit heat if the temperature of the air surrounding the heater is above that set on the control knob, although the mains neon indicator will glow showing that the heater is available for use. The heating element will energize if the thermostat knob setting is increased, as indicated by an audible "click" when the thermostat knob is turned.

Thermal Overload Cut-Out

The built-in overheat cut-out switches off the appliance automatically in the event of a fault! Disconnect the electricity supply to the appliance. After a short cooling down phase, the appliance is ready for use again! If the fault should occur again, see your local dealer!
CAUTION: In order to avoid a hazard due to inadvertent resetting of the thermal cutout, this appliance must not be supplied through an external switching device, such as a timer, or connected to a circuit that is regularly switched on and off by the utility.

PACKAGING

- After unpacking the appliance, check the same for transport damage and the contents for completeness! In the event of damage or an incomplete delivery, contact your authorised retailer!
- Do not discard the original box! It can be used for storage and dispatch to avoid transport damage!
- Dispose of the packaging material in a proper manner! Plastic bags should be kept away from children!

RECYCLING

For electrical products sold within the European Community. At the end of the electrical products useful life it should not be disposed of with household waste. Please recycle where facilities exist.
Check with your Local Authority or retailer for recycling advice in your country.



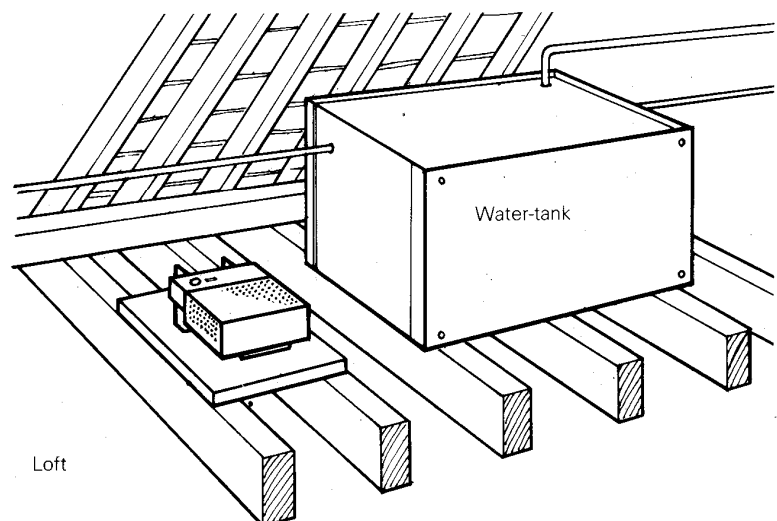
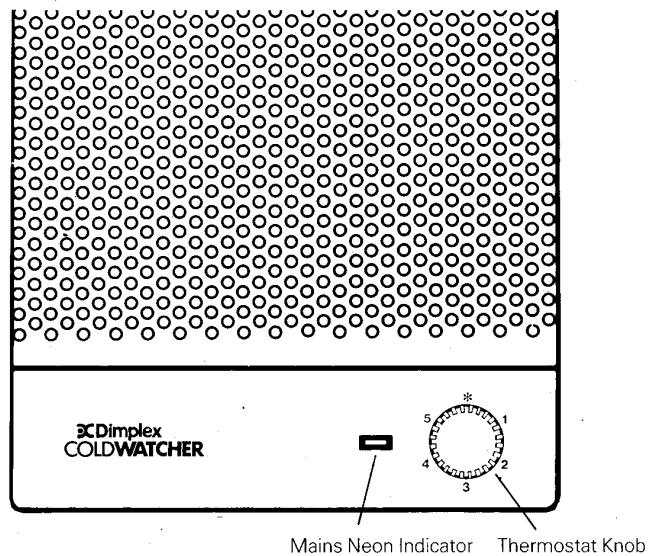
USING THE HEATER FOR FROST PROTECTION

The Heater may be used to protect water-tanks, pipes and other frost-sensitive areas by setting the thermostat to the Frost position. When the thermostat is set at this position the heater elements will emit heat only when the temperature in the vicinity of the heater falls to a temperature range of approximately 3°C to Minus 5°C.

The heater will continue to emit heat until the surrounding air again reaches approximately 5°C and will then switch off until the temperature falls again. In this way, frost protection will be provided in the area surrounding the heater.

The Heater will also guard against frost in a confined space such as a small greenhouse (see section covering greenhouses, etc) or unheated WC, provided the volume of the space in which it is installed is appropriate to its heat output. Users must satisfy themselves that the heat provided is adequate in all circumstances for the area to be protected.

Please be aware that frost protection is dependent on using the correct number of heaters for the size of the area, its insulation levels and heat-loss conditions. More than one heater may be required.



USING THE HEATER IN A GREENHOUSE

THE ELECTRICITY SUPPLY TO A GREENHOUSE SHOULD BE INSTALLED BY A COMPETENT ELECTRICIAN IN ACCORDANCE WITH THE IEE WIRING REGULATIONS. IT IS RECOMMENDED THAT RESIDUAL CURRENT CIRCUIT BREAKER (RCCB) PROTECTION IS USED.

The heat output of the Cold Watchers are similar to that of a small single burner greenhouse paraffin stove, however it has the advantage that they may be switched on overnight as a precaution against frost with the knowledge that they will not consume current on the frost setting unless the temperature in the vicinity of the heater falls below approximately 3°C to Minus 5°C.

If only one heater is being used in a full size greenhouse, it will be necessary to partition off that which requires frost protection, using for example heavy duty polythene sheeting, which can also be used to line the glazing of the greenhouse to reduce heat losses and therefore power consumption.

As a guide to the effectiveness of a single Cold Watcher in a greenhouse, it will raise the temperature of the shaded section of the greenhouse by approximately 8 to 9°C.

If higher temperatures are required then the volume partitioned off should be made smaller. In this respect the only accurate method is to set the thermostat to a position which keeps the temperature at the desired level by using a maximum/minimum thermometer, positioned in the most critical part of the area to be heated. Although the heater is designed to be splash-proof it is recommended that it be removed during periods when spraying is being carried out in the greenhouse.

USING THE HEATER IN AN AIRING CUPBOARD

The heater is suitable for use in an airing cupboard where there is no other heat source, or where the hot water cylinder is so well insulated that insufficient heat is available for airing clothes.

The airing cupboard should be ventilated by means of vents for example in the upper and lower parts of the door. This will allow circulation and removal of moisture laden air.

The heater should be positioned in the lower part of the airing cupboard.

IT IS IMPORTANT THAT PRECAUTIONS ARE TAKEN TO PREVENT CLOTHES FROM FALLING ON TO THE HEATER CAUSING IT TO OVERHEAT.

This could take the form of a wire mesh positioned across the lower part of the airing cupboard not less than 300mm above the heater. (Also refer to "Heater Dimensions and Minimum Operating Distances").

AFTER SALES SERVICE

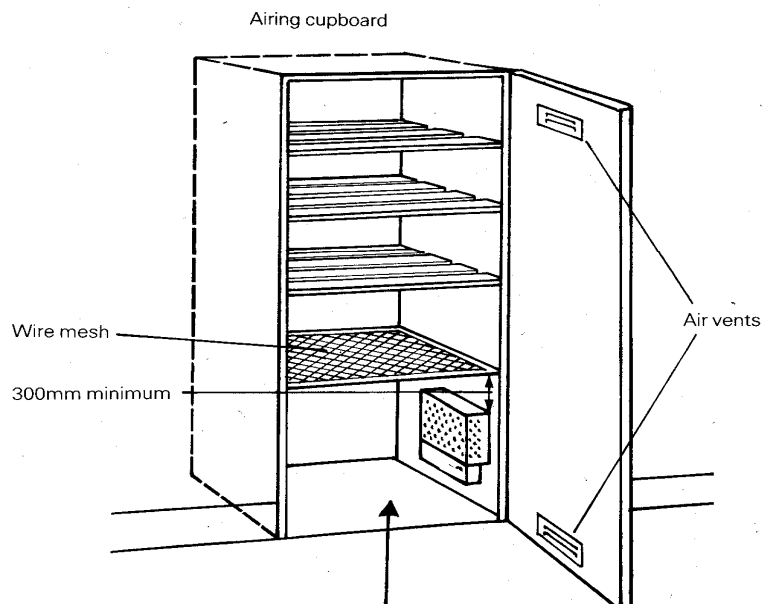
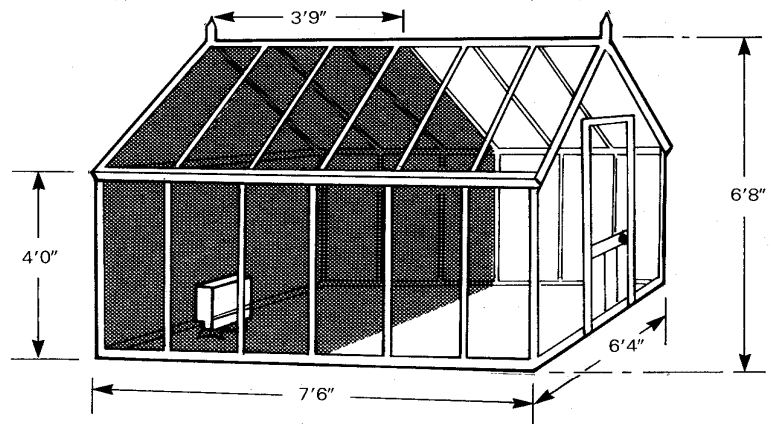
Your product is guaranteed for three years from the date of purchase.

Within this period, we undertake to repair or exchange this product free of charge provided it has been installed and operated in accordance with these instructions.

Your rights under this guarantee are additional to your statutory rights, which in turn are not affected by this guarantee.

Should you require after sales information or assistance with this product please go to www.gdcgroup.co.uk or ring our helpdesk on 0845 604 2330 (UK) or 01 842 4833 (R.O.I.).

Please retain your receipt as proof of purchase.



Clothing, bed linen or similar items **must** not be stored in this space if there is **any** possibility of their falling on to or against the heater or coming within 150 mm of the front or sides of the heater. A clear space of 300 mm **must** similarly be left above the heater.

If this space is to be used for storing such items, a further mesh should be fixed not less than 150mm from the front of the heater.



The product complies with the European Safety Standards EN60335-2-30 and the European Standard Electromagnetic Compatibility (EMC) EN55014, EN60555-2 and EN60555-3. These cover the essential requirements of EEC Directives 2006/95/EC and 2004/108/EC.

GDC Group Ltd,
Millbrook House,
Grange Drive,
Hedge Drive, Southampton,
SO30 2DF,
UK

Customer Services (UK): 0845 600 5111
Fax : 01489 773053
Email : customer.services@gdcgroup.co.uk

Customer Services (R.O.I.): 01 842 4833
[c] GDC Group Ltd