

CO-9B Datasheet for Trade

Carbon Monoxide Alarm

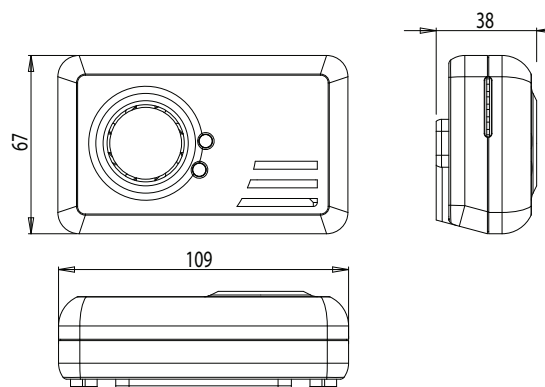
A.K.A. Carbon Monoxide Poisonous Gas Alarm

GN0421/R1

Product Image



Product Dimensions (mm)



Model Number	CO-9B
Retail Description	N/A
Unique ID code	N/A
Retail EAN Number	N/A
Retail Packaging Format	N/A
Retail Packaging Dimensions WxHxD	N/A
Retail Packaging Weight	N/A
Retail SRP Quantity	N/A
Trade Description	Carbon Monoxide Poisonous Gas Alarm
Unique ID code	103610020
Trade EAN Number	N/A
Trade Packaging Format	Recycled cardboard box
Trade Packaging Dimensions WxHxD	133mm x 95mm x 46mm
Trade Packaging Weight	167g
Trade Outer Box Quantity	20
Warranty	7 Years
Technology	Sensor: Electrochemical cell
Operation AC/DC	DC
Battery Type	2 x 1.5volt AA Alkaline

Product Weight	125g
Alert Type	Loud 85dB Alarm at 1 meter + red flashing LED
Operating Temperature	-10°C to 40°C
Operating Humidity	30% to 90% RH non-condensing
Installation Positions	Wall / Ceiling / Shelf
Approvals	Independently tested to conform to BS EN 50291:2001
Additional Testing	N/A

Health & Safety Information

Storage Temperature	-20°C to 60°C
Storage Humidity	30% to 90% RH non-condensing



Independently tested to conform to BS EN 50291:2001



FireAngel[®]

FireAngel Ltd.
The Technocentre, Puma Way
Coventry CV1 2TT UK

Tel +44 (0)24 7623 6600
Fax +44 (0)24 7623 6603
Web www.fireangel.co.uk