

Standard Power Grommet

Customer Notice
 Standard Power Grommets are not suitable for screed and concrete floors. please see our Stainless Steel Power Grommet for screed and concrete floor installations

Product Description

- Galvanised steel back box
- Also available with 5 amp & 16 amp European socket (PG101 & PG102 only)
- Halogen free materials that prevent flames from spreading during a fire and guarantee low toxicity
- 13 Amp Socket (variant dependant)
- Fixing clamps
- 20mm knockouts
- Accepts LJ6C data modules (variant dependant, modules sold separately)
- Available in Dark Grey or Black (i.e. PG001B = Black or PG001G = Grey)

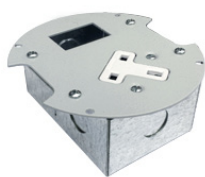
Specifications

Model:	Standard Power Grommet
Overall Diameter:	150mm
Cutout:	127mm
Cable Entry:	24x75mm
Floor Depth required:	96mm (min)
Flange Thickness:	5.46mm
Power:	Various (model dependant)
Data:	LJ6C (model dependant)
Colour:	Grey / Black

Standard Power & Data Grommet Configurations



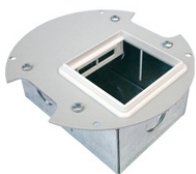
PG001B / PG001G
13A Power Grommet



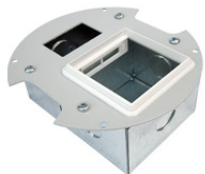
PG002B / PG002G
13A Power Grommet
+ 1 Data (LJ6C)



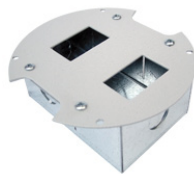
PG003B / PG003G
13A Power Grommet (Round
Socket) + 2 Data S(LJ6C)



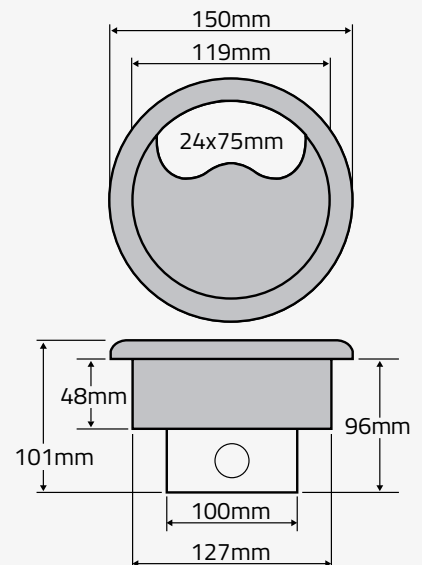
PG101B / PG101G
Euro Collar Grommet
(50x50mm)



PG102B / PG102G
Euro Collar Grommet
(50x50mm) + 1 Data (LJ6C)



PG103B / PG103G
Data Grommet - 2 Data (LJ6C)



Contact: sales@floorbox.co.uk | **Visit:** www.floorbox.co.uk

Customer notice: Due to our policy of continuous improvement, Tass Cable Management Ltd reserve the right to change product specifications without notice. Tass Cable Management Ltd © | Floorbox.co.uk © | 2019 | All rights Reserved.