



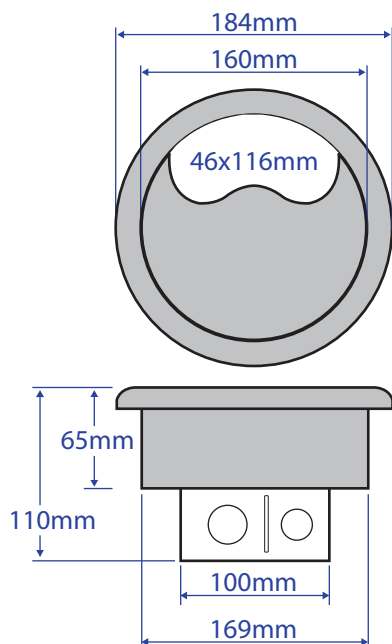
**Twin Socket + 2 Data** POWER GROMMET

**Specifications**

- Galvanised steel backbox
- Fixing clamps
- 2 x 13 Amp Socket
- 2 x LJ6C data modules (sold separately)
- 20mm & 25mm knockouts

**Dimensions**

<b>Model:</b>	<b>FGG169PDD / FGB169PDD</b>
<b>Cutout:</b>	169mm
<b>Colours:</b>	Grey / Black
<b>Power:</b>	2 x 13 Amp Socket
<b>Data:</b>	2 x LJ6C (37mm x 32mm)



**360° Swivel Lid**  
TECHNOLOGY



**Disclaimer**

Due to our policy of continuous improvement, Tass Cable Management Ltd reserve the right to change product specifications without notice